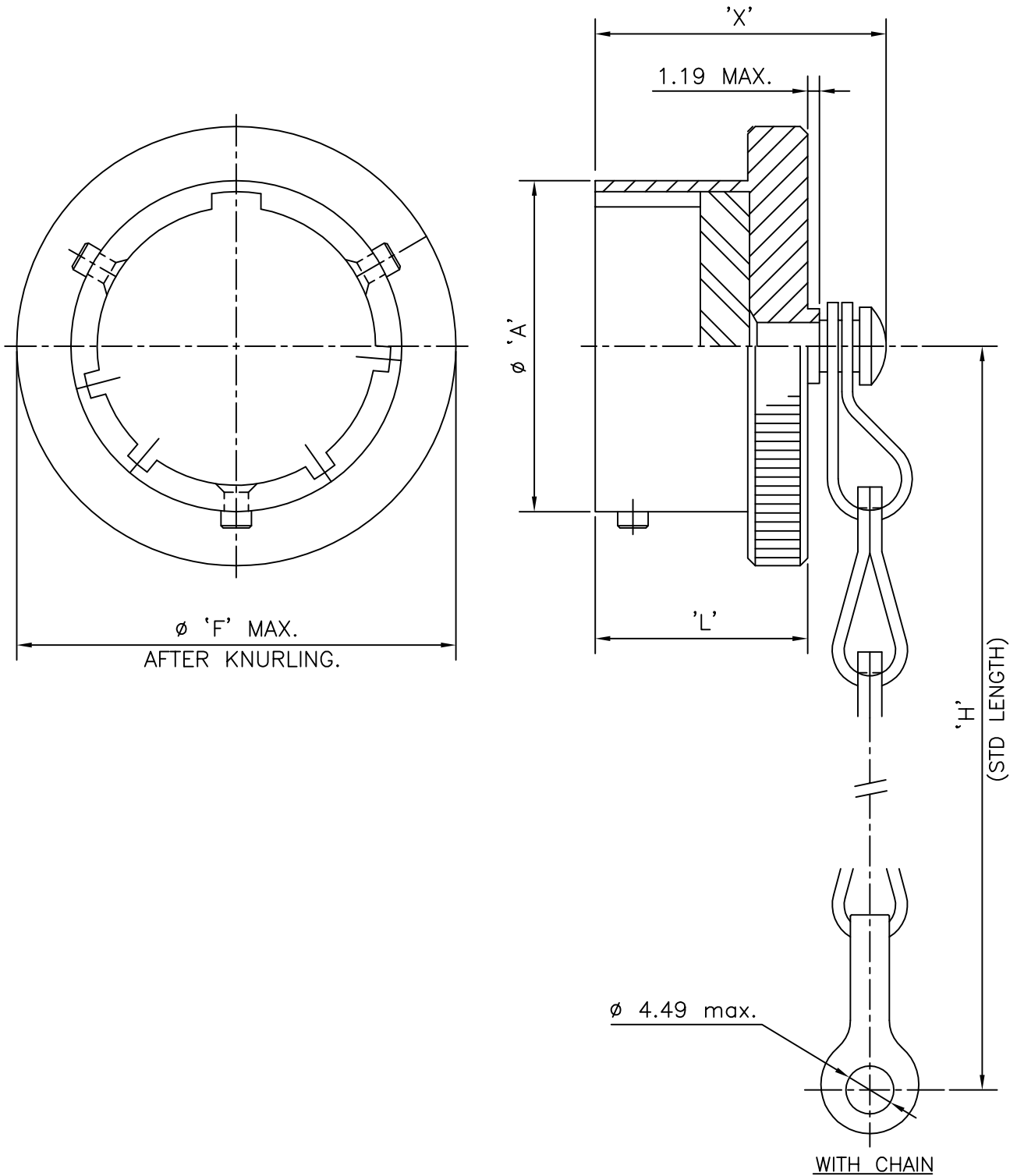
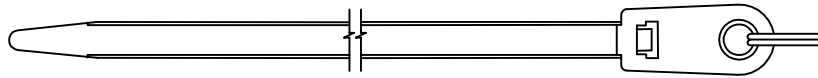


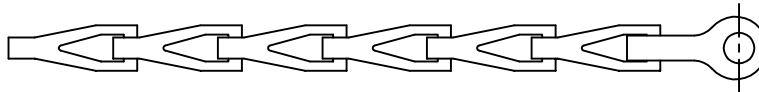
ISSUE NO.	ENG. REF. NO.	DATE	APP. BY
4	-	08/4/13	<i>csmurke</i>
5	-	09/05/15	<i>csmurke</i>
6	-	23/10/15	<i>csmurke</i>



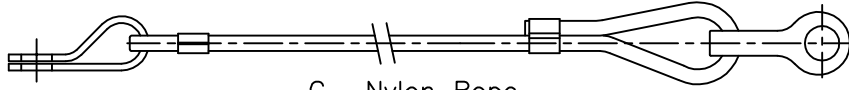
AUTO-CAD REL-2008	<b>AMPHENOL</b> Amphenol Interconnect India Pvt. Ltd. Pune 411026			TITLE <b>METAL DUST CAP ASSY. FOR          SER-I &amp; II PLUG (08 TO 24 SIZE)</b>			
	QF-DEV-03 REV-NO. 03	2012	Name	Date	Dwg. Size <b>A4</b>	Dwg. No. <b>PSTD-10290</b>	All Dimensions are in MM/ <del>INCHES</del>
	Drawn by <i>Kulkarni</i>	04/5/12	Checked by <i>ampatil</i>	08/5/12		<b>STANDARD</b>	
	App. by <i>csmurke</i>	09/5/12			Sheet 1 of 5		



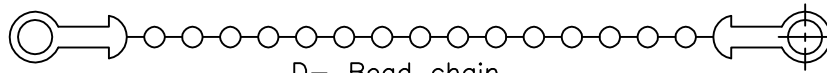
T- Tie Wrap



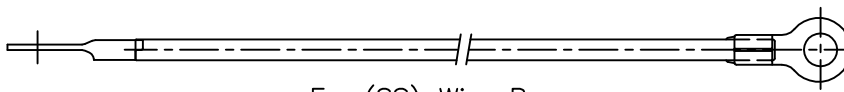
S- Sash Chain



G- Nylon Rope



D- Bead chain



F- (SS) Wire Rope

All Dimensions are in MM.

SHELL SIZE	∅A REF.	∅F MAX. OVERALL	H +12.70 -6.35	L MAX. LENGTH	X MAX. OVERALL	∅ F +0.00/-0.08 FOR H/D. D/CAP.
08	12.01	18.26	76.20	14.27	19.84	22.10
10	14.99	21.44				24.86
12	19.05	25.40	88.90	14.27	19.84	29.24
14	22.22	28.58				32.41
16	25.40	31.75				35.58
18	28.58	34.92				38.22
20	31.75	38.10	101.60	15.88	21.44	41.94
22	34.92	41.28				45.11
24	38.10	44.45				16.71

All Dimensions for reference only.

AUTO-CAD REL-2008	<b>AMPHENOL</b> Amphenol Interconnect India Pvt. Ltd. Pune 411026			TITLE <b>METAL DUST CAP ASSY. FOR          SER-I &amp; II PLUG (08 TO 24 SIZE)</b>		
	2012 Drawn by <i>Kulkarni</i> 04/5/12 Checked by <i>ampatil</i> 08/5/12 App. by <i>csmurke</i> 09/5/12	Dwg. Size <b>A4</b>	Dwg. No. <b>PSTD-10290</b>	All Dimensions are in MM/ <del>INCHES</del>		
QF-DEV-03 REV-NO. 03	Sheet 2 of 5		<b>STANDARD</b>			

**REQUIREMENTS:**

**MATERIAL :-**

- Cover : Machined Aluminium alloy
- Gasket : Silicone elastomer.
- Ring : Stainless steel, passivated.
- Rope : 7 strand stainless steel passivated with coating.

Fastener : Stainless steel, passivated. Option: Aluminium Integral to cover.

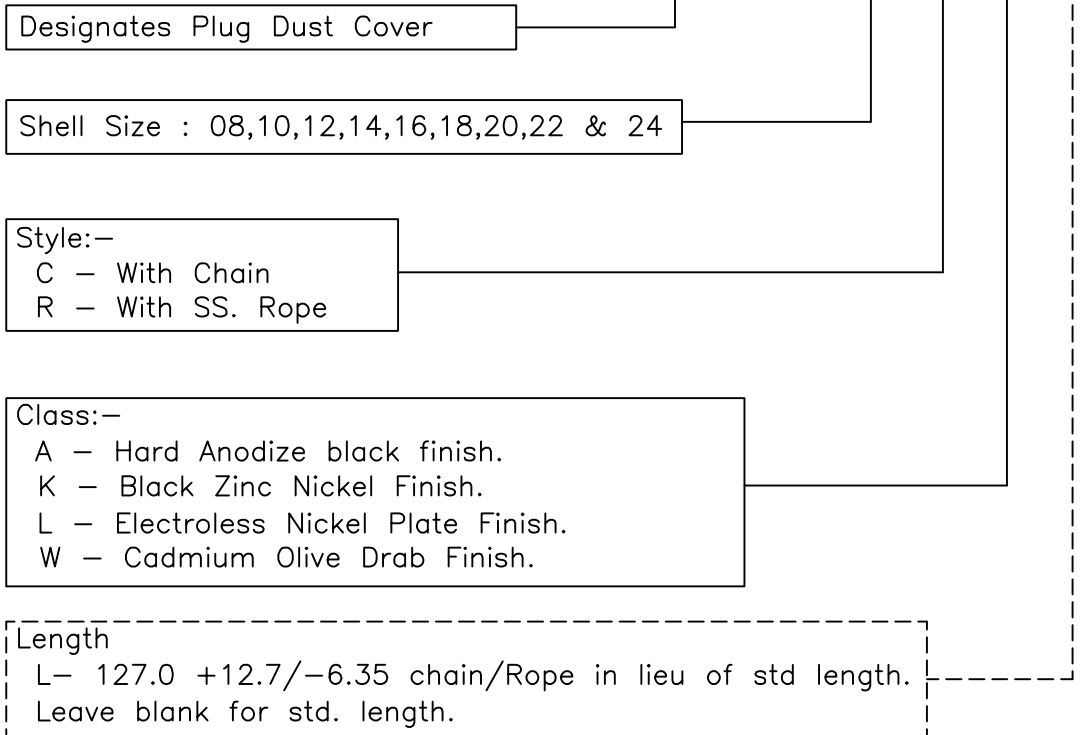
**MATING CONNECTOR :-** MIL-C-26482 series I & II.

- Gasket shall be mechanically retained.
- Rope shall rotate freely on fastener.

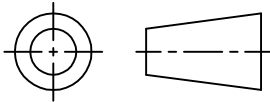
(MILITARY PART NUMBER.)

ORDERING INFORMATION:

**JANMS3180 10 C A L**



NOTE:- FOR NON STANDARD LONG 'L' CONTACT FACTORY.

AUTO-CAD REL-2008  QF-DEV-03 REV-NO. 03	<b>AMPHENOL</b> Amphenol Interconnect India Pvt. Ltd. Pune 411026			TITLE <b>METAL DUST CAP ASSY. FOR          SER-I &amp; II PLUG (08 TO 24 SIZE)</b>		
	2012 Drawn by <i>Kulkarni</i> 04/5/12 Checked by <i>ampatil</i> 08/5/12 App. by <i>csmurke</i> 09/5/12	Dwg. Size <b>A4</b>	Dwg. No. <b>PSTD-10290</b>	All Dimensions are in MM/ <del>INCHES</del>		
				Sheet 3 of 5		<b>STANDARD</b>

(PROPRIETARY PART NUMBER.)

ORDERING INFORMATION:

**IMB3180 08 A F (BI) N H V2**

Designates Plug Dust Cover

Shell Size : 08,10,12,14,16,18,20,22 & 24

**Class**

Aluminium

- A – Hard anodic
- B – Zinc Nickel finish.
- F – 48 Hrs. electroless nickel.
- T – PTFE Nickel Plating.
- W – 500 Hrs cadmium olive drab.
- EB – Cad. free zinc cobalt-olive drab finish.
- FB – Cad. free zinc cobalt-Black finish.
- SD – Zinc Nickel Black finish.

**Type of attachment:**

- D – Bead chain passivated.
- F – Wire rope with teflon jacket. (for 200°C)
- G – Nylon cord
- S – Sash chain passivated.
- X – None (small link)

Black Insulation SS rope with Teflon Jacket

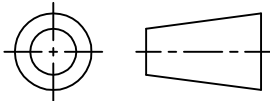
**Type of end link:**

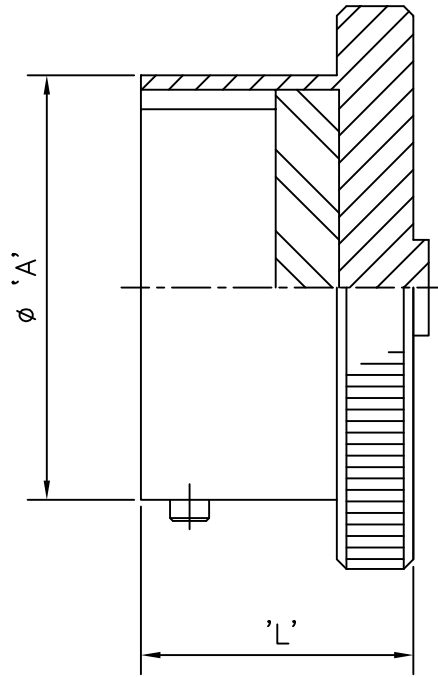
- T – Tie wrap
- X – None (small link  $\phi$  4.49 max.)

**Length of attachment:**

- H – Standard length
- For non-standard 'H', length has to be specified in mm.

End link & Rivet same as Dust Cap Finish.

QF-DEV-03 REV-NO. 03	AUTO-CAD REL-2008	<b>AMPHENOL</b> Amphenol Interconnect India Pvt. Ltd. Pune 411026		TITLE <b>METAL DUST CAP ASSY. FOR                  SER-I &amp; II PLUG (08 TO 24 SIZE)</b>		
	2012	Name	Date	Dwg. Size	Dwg. No.	
	Drawn by	<i>Kulkarni</i>	04/5/12	A4	PSTD-10290	Sheet 4 of 5



REQUIREMENTS:

MATERIAL :

Cover : Machined Aluminium alloy

Gasket : Silicone elastomer.

MATING CONNECTOR: MIL-C-26482 Series I & II.

Gasket shall be mechanically retained.

ORDERING INFORMATION:

IMB3180 - 08 - A - V1

Designates : Plug dust cover

Shell size : 08,10,12,14,16,18,20,22 & 24

Class

A - Hard anodic

W - Aluminium, 500 Hrs cadmium olive drab.

F - Aluminium, 48 Hrs. electroless nickel.

T - Nickel PTFE finish.

VARIANT

AUTO-CAD REL-2008	<b>AMPHENOL</b> Amphenol Interconnect India Pvt. Ltd. Pune 411026			TITLE <b>METAL DUST CAP ASSY. FOR SER-I &amp; II PLUG (08 TO 24 SIZE)</b>		
	QF-DEV-03 REV-NO. 03	2012 Drawn by <i>Kulkarni</i> Checked by <i>ampatil</i> App. by <i>csmurke</i>	Name Date 26/7/12 26/7/12 26/7/12	Dwg. Size <b>A4</b>	Dwg. No. <b>PSTD-10290</b>	
					Sheet 5 of 5	<b>STANDARD</b>