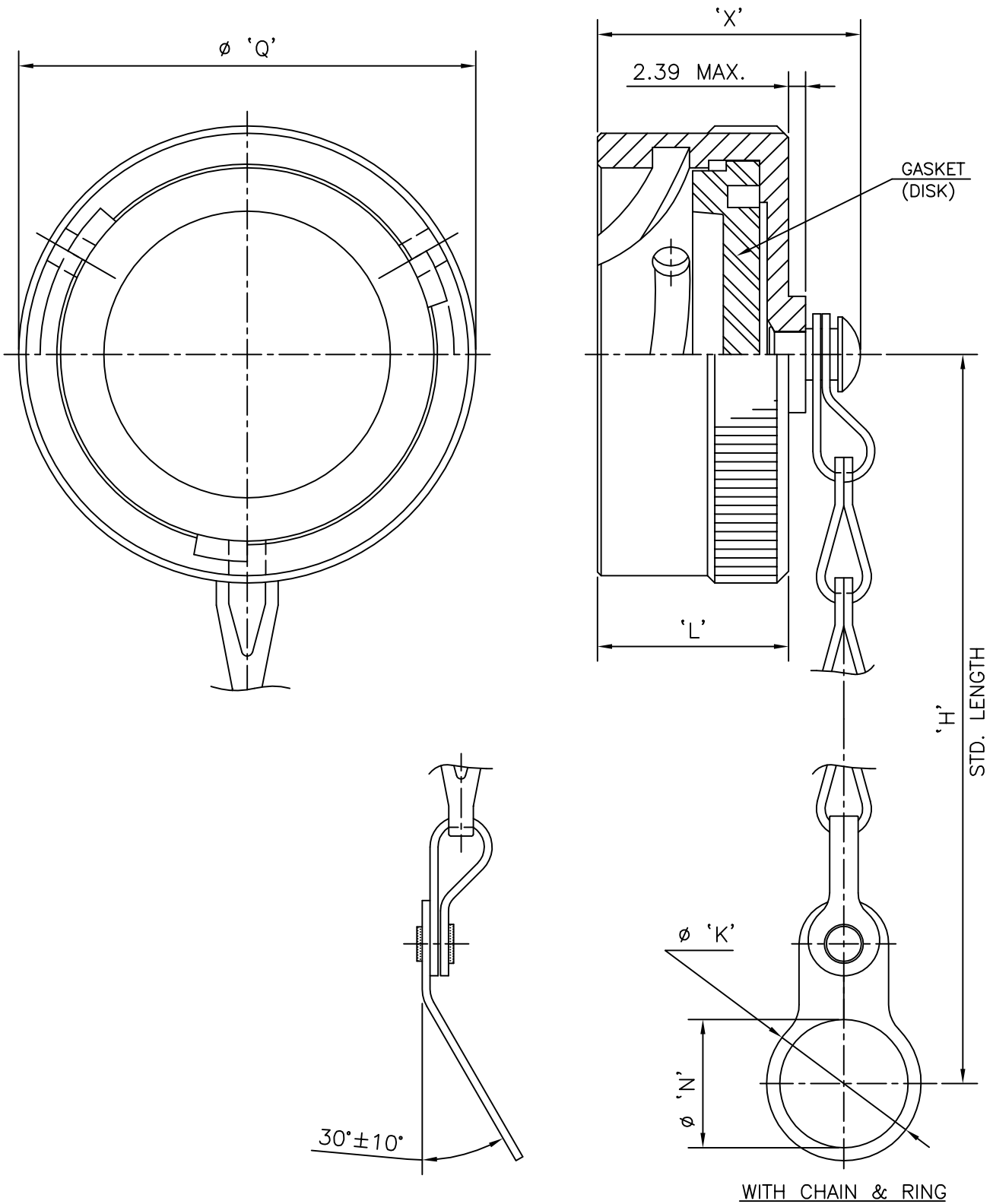
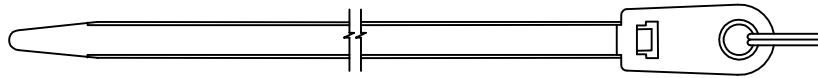


ISSUE NO.	ENG. REF. NO.	DATE	APP. BY
3	-	08/4/13	<i>asmurke</i>
4	-	23/10/15	<i>asmurke</i>

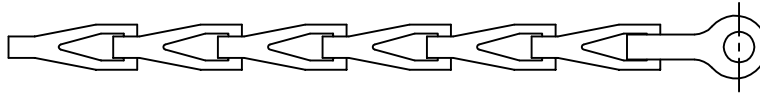


WITH CHAIN & RING

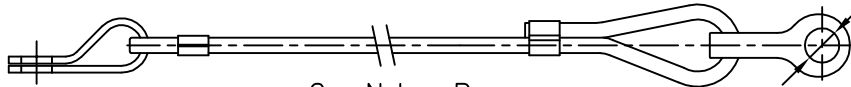
QF-DEV-03 REV-NO. 03	<b>AMPHENOL</b> Amphenol Interconnect India Pvt. Ltd. Pune 411026			TITLE <b>METAL DUST CAP ASSY. FOR          SER-I &amp; II RECEPT. (08 TO 24)</b>			
	2012	Name	Date	Dwg. Size	Dwg. No.	All Dimensions are in MM/ <del>INCHES</del>	
	Drawn by	<i>Kulkarni</i>	04/5/12	A4	PSTD-10291	STANDARD	
	Checked by	<i>ampatil</i>	08/5/12			Sheet 1 of 5	
	App. by	<i>asmurke</i>	09/5/12				



T- Tie Wrap

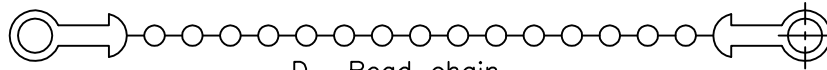


S- Sash Chain

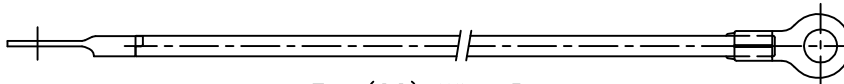


G- Nylon Rope

∅ 4.49 max.



D- Bead chain



F- (SS) Wire Rope

All Dimensions are in MM.

SHELL SIZE	H +12.70 -6.35	∅K MAX.	L MAX.	∅N MIN	∅Q MAX.	X MAX.
08	76.20	20.62	14.27	14.68	18.64	21.44
10		25.40		17.86	21.82	
12	30.18	22.63		25.40		
14	36.53	25.81		28.58		
16	39.67	28.98		31.75		
18	42.88	32.16		34.92		
20	101.60	46.02		35.33	38.10	
22		49.23	38.51	41.28		
24		52.37	15.29	41.68	44.45	22.22

All Dimensions for reference only.

QF-DEV-03 REV-NO. 03 AUTO-CAD 2008	<b>AMPHENOL</b> Amphenol Interconnect India Pvt. Ltd. Pune 411026			TITLE <b>METAL DUST CAP ASSY. FOR          SER-I &amp; II RECEPT. (08 TO 24)</b>		
	2012	Name	Date	Dwg. Size	Dwg. No.	
	Drawn by	Kulkarni	04/5/12	<b>A4</b>	<b>PSTD-10291</b>	<b>STANDARD</b>
	Checked by	ampatil	08/5/12			
App. by	csmurke	09/5/12				

**REQUIREMENTS:**

**MATERIAL :-**

- Cover : Machined Aluminium alloy
- Gasket : Silicone elastomer.
- Ring : Stainless steel, passivated.
- Rope : 7 strand stainless steel passivated with coating.

Fastener : Stainless steel, passivated. Option: Aluminium Integral to cover.

**MATING CONNECTOR :-** MIL-C-26482 series I & II.

- Gasket shall be mechanically retained.
- Rope shall rotate freely on fastener.

(MILITARY PART NUMBER.)

ORDERING INFORMATION:

**JANMS3181 10 C A L**

Designates Receptacle Dust Cover

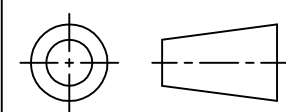
Shell Size : 08,10,12,14,16,18,20,22 & 24

Style:-  
 C - With Chain  
 N - With Chain & Ring.  
 R - With SS. Rope

Class:-  
 A - Hard Anodize black finish.  
 K - Black Zinc Nickel Finish.  
 L - Electroless Nickel Plate Finish.  
 W - Cadmium Olive Drab Finish.

Length  
 Leave blank for std. length.  
 L- 127.0 +12.7/-6.35 chain/Rope in lieu of std length.

NOTE:- FOR NON STANDARD LONG 'L' CONTACT FACTORY.

OF-DEV-03 REV-NO. 03 AUTO-CAD 2008	<b>AMPHENOL</b> Amphenol Interconnect India Pvt. Ltd. Pune 411026			TITLE METAL DUST CAP ASSY. FOR SER-I & II RECEPT. (08 TO 24)		
	2012 Drawn by <i>Kulkarni</i> 04/5/12 Checked by <i>ampatil</i> 08/5/12 App. by <i>csmurke</i> 09/5/12	Dwg. Size <b>A4</b>	Dwg. No. <b>PSTD-10291</b>	All Dimensions are in MM/ <del>INCHES</del>		
				Sheet 3 of 5		<b>STANDARD</b>

(PROPRIETARY PART NUMBER.)

ORDERING INFORMATION:

**IMB3181 08 A F (BI) N H V2**

Designates Plug Dust Cover

Shell Size : 08,10,12,14,16,18,20,22 & 24

**Class**

Aluminium

- A – Hard anodic
- B – Zinc Nickel finish.
- F – 48 Hrs. electroless nickel.
- T – PTFE Nickel Plating.
- W – 500 Hrs cadmium olive drab.
- EB – Cad. free zinc cobalt-olive drab finish.
- FB – Cad. free zinc cobalt-Black finish.
- SD – Zinc Nickel Black finish.

**Type of attachment:**

- D – Bead chain passivated.
- F – Wire rope with teflon jacket. (for 200°C)
- G – Nylon cord
- S – Sash chain passivated.
- X – None (small link)

Black Insulation SS rope with Teflon Jacket

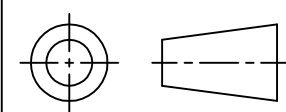
**Type of end link:**

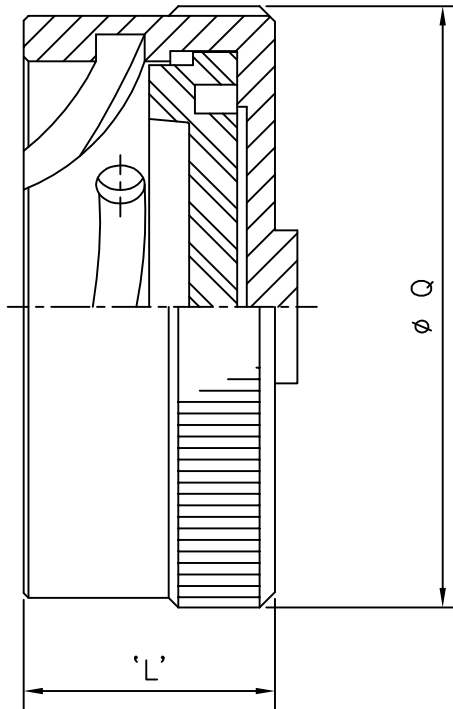
- N – Solid ring
- T – Tie wrap
- X – None (small link  $\phi$  4.49 max.)

**Length of attachment:**

- H – Standard length
- For non-standard 'H', length has to be specified in mm.

End link & Rivet same as Dust Cap Finish.

QF-DEV-03 REV-NO. 03	<b>AMPHENOL</b> Amphenol Interconnect India Pvt. Ltd. Pune 411026			TITLE METAL DUST CAP ASSY. FOR SER-I & II RECEPT. (08 TO 24)		
	2012	Name	Date	Dwg. Size	Dwg. No.	
	Drawn by <i>Kulkarni</i>	04/5/12	Checked by <i>ampatil</i>	08/5/12	A4	PSTD-10291



REQUIREMENTS:

MATERIAL :

Cover : Machined Aluminium alloy

Gasket : Silicone elastomer.

MATING CONNECTOR: MIL-C-26482 Series I & II.

Gasket shall be mechanically retained.

ORDERING INFORMATION:

IMB3181 - 08 - A - V1

Designates : Receptacle dust cover

Shell size : 08,10,12,14,16,18,20,22 & 24

Class  
 A - Hard anodic  
 W - Aluminium, 500 Hrs cadmium olive drab.  
 F - Aluminium, 48 Hrs. electroless nickel.  
 T - Nickel PTFE finish.

VARIENT

QF-DEV-03 REV-NO. 03 AUTO-CAD 2008	<b>AMPHENOL</b> Amphenol Interconnect India Pvt. Ltd. Pune 411026		TITLE <b>METAL DUST CAP ASSY. FOR          SER-I &amp; II RECEPT. (08 TO 24)</b>		
	2012 Drawn by <i>Kulkarni</i> 04/5/12 Checked by <i>ampatil</i> 08/5/12 App. by <i>csmurke</i> 09/5/12	Dwg. Size <b>A4</b>	Dwg. No. <b>PSTD-10291</b>	All Dimensions are in MM/ <del>INCHES</del>	
				Sheet 5 of 5	<b>STANDARD</b>