

MIL-C-38999  
Series II

**MS27510 B 18 C L**

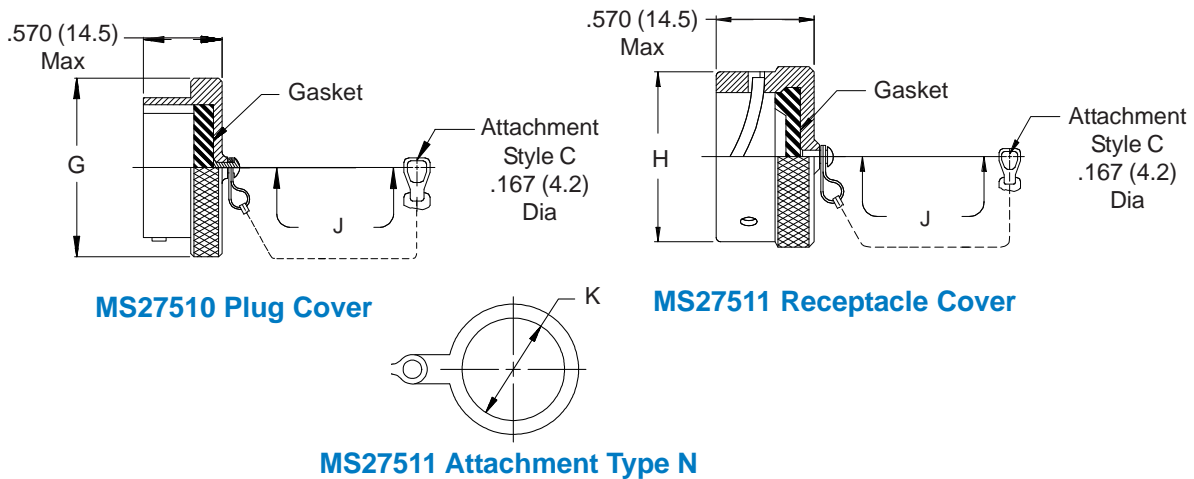
Basic Part No. \_\_\_\_\_  
 MS27510 = Plug Cover  
 MS27511 = Receptacle Cover

Finish \_\_\_\_\_  
 A = Gold Iridite Over Cadmium Over Nickel  
 B = 500 Hour Cadmium Olive Drab  
 C = Anodize  
 F = Electroless Nickel

Shell Size \_\_\_\_\_

Length (Omit for Standard)  
 L = 5-inch chain in lieu of standard length.  
 Leave blank for standard length.  
 Applicable to chain only.  
 Not applicable to style R  
 M = 6.0 (127.0) MS27510 Only  
 N = 7.0 (177.8) MS27510 Only

Attachment Style  
 C = Chain  
 N = With chain and ring (MS27511 Only)  
 R = Rope (MS27511 Only)  
 A = Without chain or rope



**TABLE I**

Shell Size	G Dia Max	H Dia Max	J Nom Length	K Dia Min
8	.720 (18.3)	.630 (16.0)	3.00 (76.2)	.890 (22.6)
10	.850 (21.6)	.761 (19.3)	3.00 (76.2)	1.010 (25.7)
12	1.000 (25.4)	.936 (23.8)	3.00 (76.2)	1.140 (29.0)
14	1.130 (28.7)	1.074 (27.3)	3.50 (88.9)	1.260 (32.0)
16	1.250 (31.8)	1.172 (29.8)	3.50 (88.9)	1.390 (35.3)
18	1.380 (35.1)	1.304 (33.1)	3.50 (88.9)	1.510 (38.4)
20	1.500 (38.1)	1.435 (36.4)	4.00 (101.6)	1.640 (41.7)
22	1.630 (41.4)	1.560 (39.6)	4.00 (101.6)	1.760 (44.7)
24	1.750 (44.5)	1.688 (42.9)	4.00 (101.6)	1.890 (48.0)

1. For complete dimensions see applicable Military Specification.
2. Metric dimensions (mm) are indicated in parentheses.