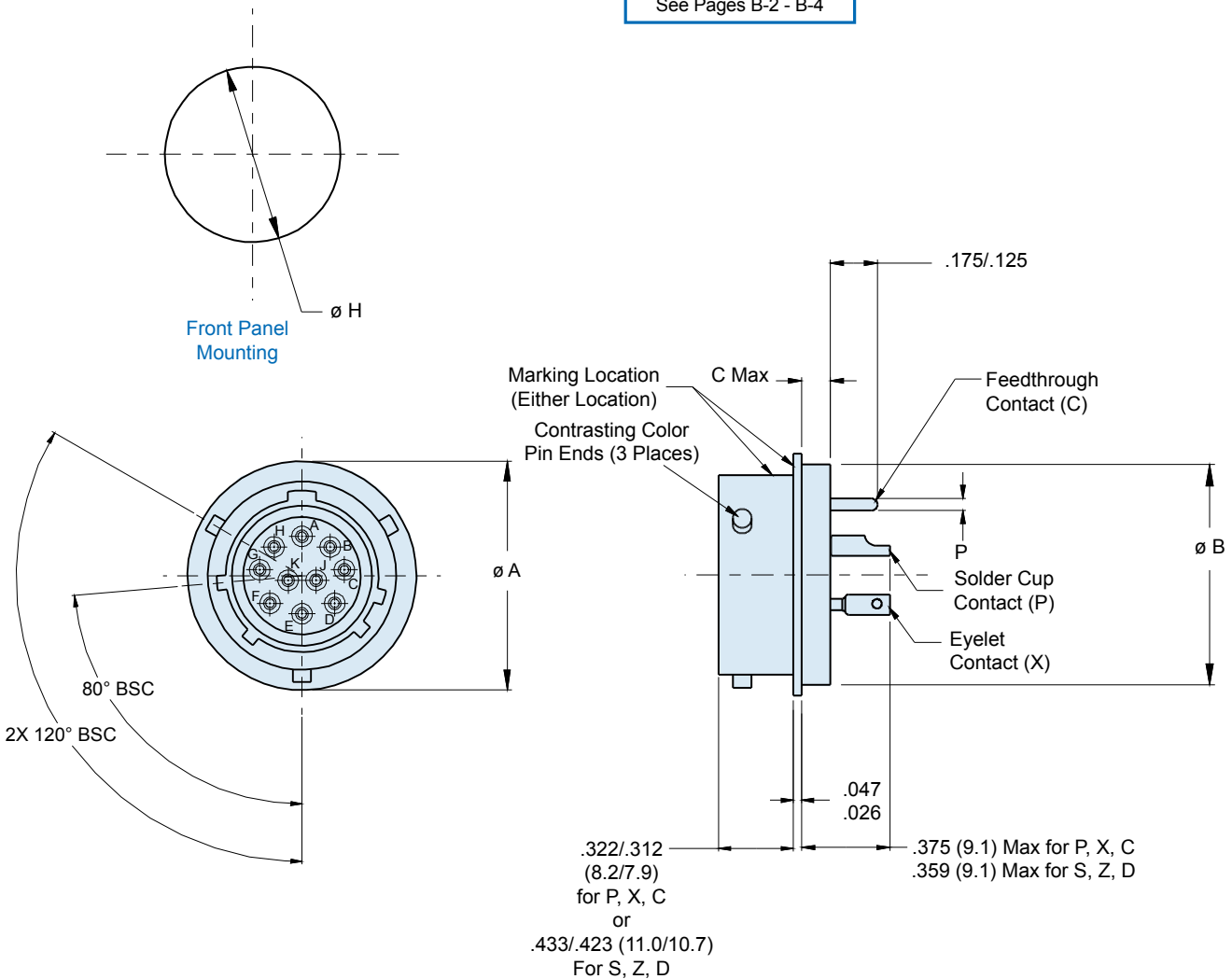
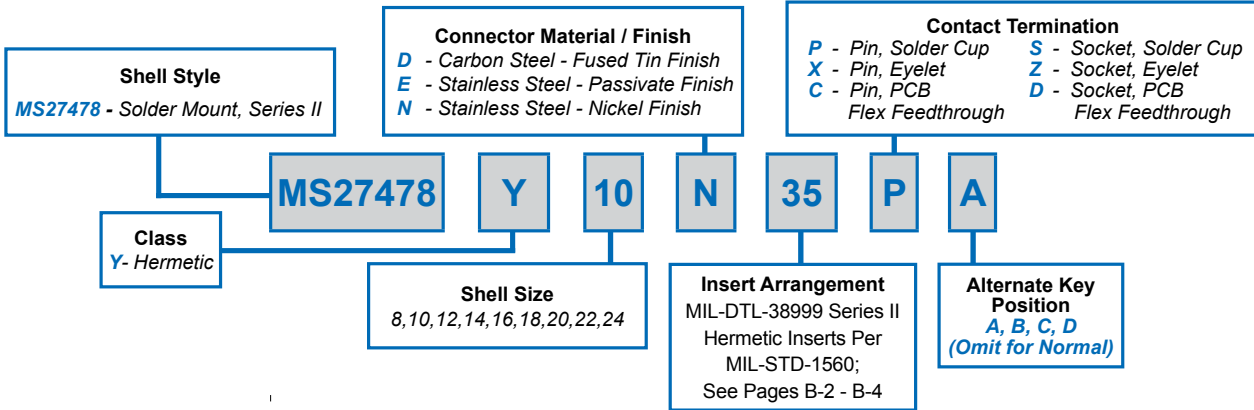


**How To Order: MS**

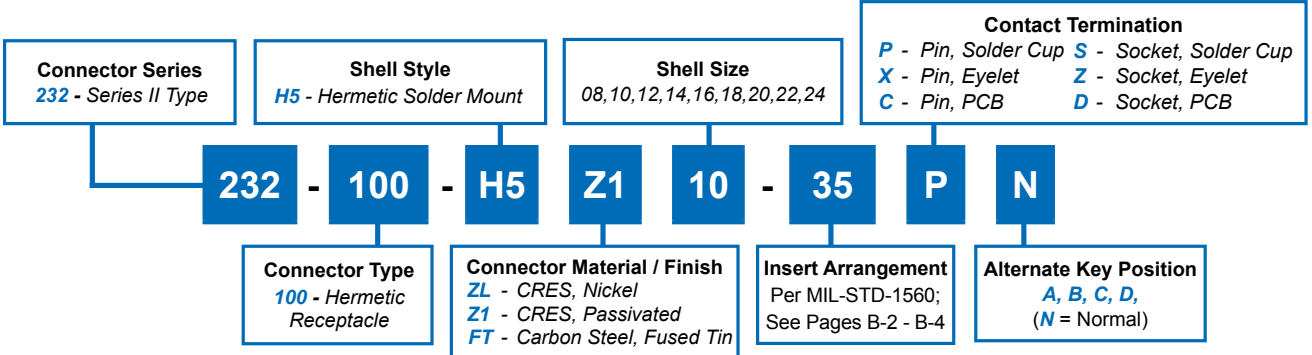


# 232-100-H5 Solder Mount Hermetic Receptacle MIL-DTL-38999 Series II Type



MIL-DTL  
38999 Type

## How To Order: Commercial



B

HERMETIC LEAK RATE MOD CODES	
Designator	Required Leak Rate
-585A	1 x 10 <sup>-10</sup> cc's Helium per second
-585B	1 x 10 <sup>-9</sup> cc's Helium per second
-585C	1 x 10 <sup>-8</sup> cc's Helium per second

TABLE I: CONNECTOR DIMENSIONS				
SHELL SIZE	∅ A ± .011 (0.3)	∅ B	C MAX	∅ H ±.005 (0.1)
8/08	.681 (17.3)	.563 (14.3) .557 (14.1)	.125 (3.2)	.570 (14.5)
10	.797 (20.2)	.673 (17.1) .667 (16.9)		.680 (17.3)
12	.906 (23.0)	.782 (19.9) .776 (19.7)		.789 (20.0)
14	1.031 (26.2)	.907 (23.0) .901 (22.9)		.914(23.2)
16	1.156 (29.4)	1.032 (26.2) 1.027 (26.1)		1.039 (26.4)
18	1.281 (32.5)	1.157 (29.4) 1.151 (29.2)		1.164 (29.6)
20	1.375 (34.9)	1.251 (31.8) 1.245 (31.6)		1.258 (32.0)
22	1.500 (38.1)	1.376 (35.0) 1.370 (34.8)	.156 (4.0)	1.383 (35.1)
24	1.625 (41.3)	1.501 (38.1) 1.495 (38.0)		1.508 (38.3)

TABLE II: CONTACT SIZE	
PRINTED CIRCUIT TAIL CONFIGURATIONS CONTACT STYLE C AND D	
Contact Size	∅ P
22D	.011 (0.28) .015 (0.38)
20	.024 (0.61) .028 (0.71)
16	.0635 (1.61) .0615 (1.56)
12	.095 (2.41) .093 (2.36)

WIRE ACCOMODATION	
Contact Size	Wire Gauge
22D	#22 - #28
20	#20 - #24
16	#16 - #20
12	#12 - #14