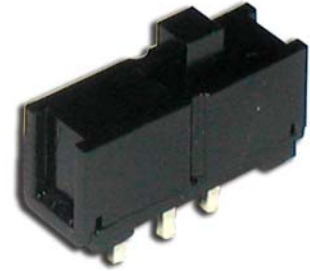


**SPECIFICATIONS**

Switch Function	SPDT
Electrical Ratings	200mA @ 30VDC
Electrical Life	10,000 cycles typical
Contact Resistance	< 50 mΩ initial
Actuation Force	250 +/- 50gF
Actuator Travel	2.5 mm total
Dielectric Strength	1000Vrms min
Insulation Resistance	> 100MΩ min
Operating Temperature	-40°C to 85°C
Storage Temperature	-40°C to 85°C



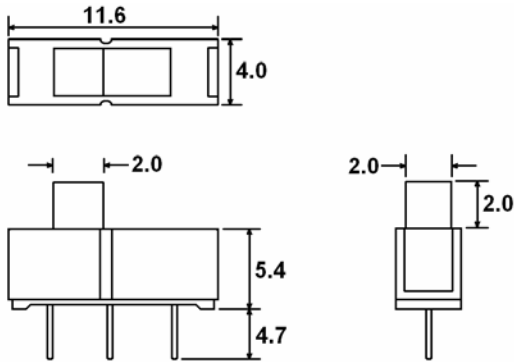
**MATERIALS ←RoHS COMPLIANT**

Actuator	6/6 Nylon
Housing	6/6 Nylon
Base	PBT
Contacts	Phosphor Bronze, Silver Plated
Terminals	Brass, Silver Plated

**ORDERING INFORMATION**

<b>1. Series:</b>	<b>MS1218</b>
MS1218	

**DIMENSIONS**



**SCHEMATIC & PC LAYOUT**

