

# Type MRCBP4-PS Manual Reset Circuit Breaker Automotive Type III Mini Blade – Low Profile



www.optifuse.com (619) 593-5050

### Specifications:

Mini Blade Manual Reset Type Circuit Breaker - Low Profile

Voltage: 58VDC

Amperage: 5A, 7.5A, 10A, 15A, 20A, 25A, 30A

Materials: Thermoplastic – (UL Rated 94-V-0)

Terminals: Tin plated Copper Alloy

Testing Standard: SAE J553 Type III, IEC 60934

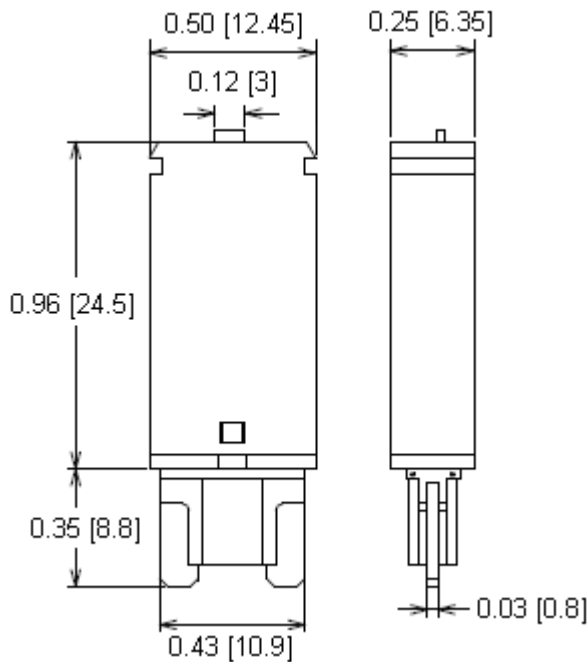
Cover is color coded to Amperage Ratings

Operating Temperature: -40° C ~ 85° C

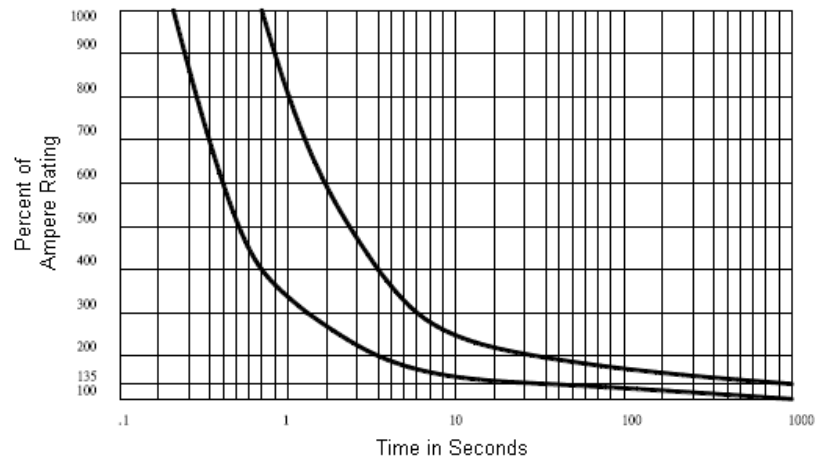
Part Number	Amperage	Body Color
MRCBP4-PS-5A	5A	Tan
MRCBP4-PS-7.5A	7.5A	Brown
MRCBP4-PS-10A	10A	Red
MRCBP4-PS-15A	15A	Blue
MRCBP4-PS-20A	20A	Yellow
MRCBP4-PS-25A	25A	White
MRCBP4-PS-30A	30A	Green

Ampere Rated	Interrupt Rating
5A-10A version	100A @ 58 VDC
15A version	150A @ 58 VDC
20A version	200A @ 58 VDC
25A-30A version	300A @ 58 VDC

### Mechanical Dimensions: Inches [mm]



Part number: MRCBP4-PS  
Time Current Curves



	-Operation beyond the specified maximum ratings or improper use may result in damage and possible electrical arcing and/or flame.
	-Device are intended for occasional overcurrent protection. Application for repeated overcurrent condition and/or prolonged trip are not anticipated.
	-Avoid contact of device with chemical solvent. Prolonged contact will damage the device performance.
	-Not intended for submersible water applications.

Note: All specifications subject to change without notice.

Rev A 06/2011 - Page: 1/1  
Code B01-01H