
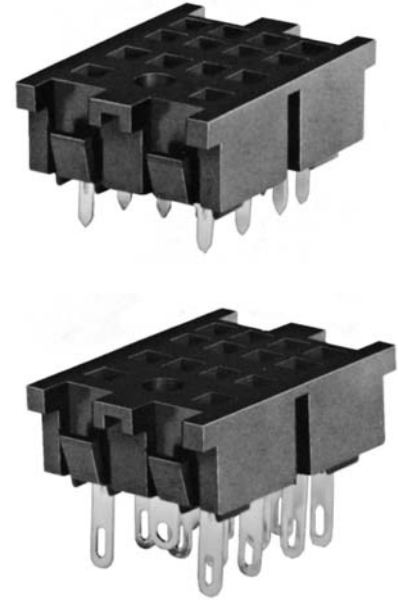


# MR SERIES

## RELAY SOCKETS

<b>DESCRIPTION</b>	8 and 14 Pin Miniature Sockets	
<b>ELECTRICAL RATING</b>	• 300 Volts, 10 Amps <b>***NEW UPGRADED RATING***</b>	
<b>CONSTRUCTION</b>	<b>Contacts</b>	• Brass, Bright Tin Plated
	<b>Molding</b>	• Break Resistant Thermoplastic
<b>AGENCY APPROVALS</b>	• UL recognized, File No. E60008	
	• CSA certified, File No. LR29513	
	• CE (*)	



### ORDERING CODE

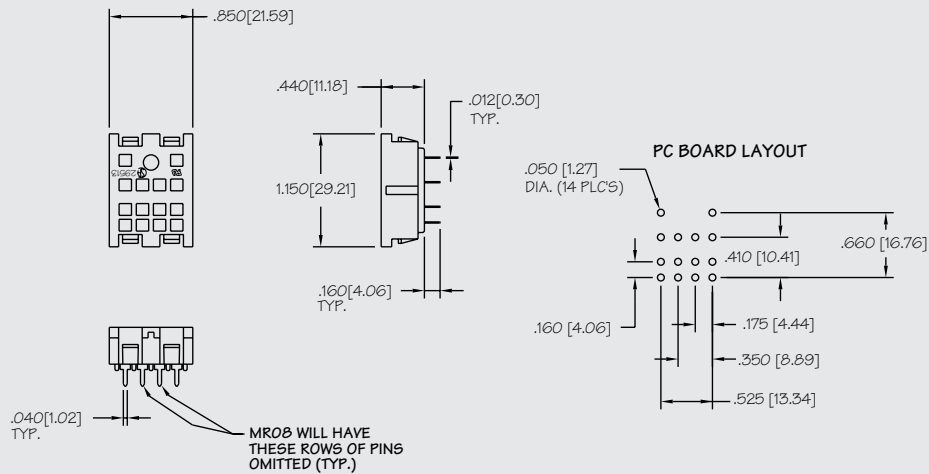
PART NO.	DESCRIPTION	TERMINAL TYPE
MR08-PCB-1G N	DPDT, 8 Pin Miniature (Fig. 1)	PC Board
MR08-SLD (*)	DPDT, 8 Pin Miniature (Fig. 2)	Solder
MR08-SLD-1G (*)	DPDT, 8 Pin Miniature (Fig. 2)	Solder, Ground Lug Omitted
MR14-PCB-1G N	4PDT, 14 Pin Miniature (Fig. 1)	PC Board
MR14-SLD (*)	4PDT, 14 Pin Miniature (Fig. 2)	Solder
MR14-SLD-1G (*)	4PDT, 14 Pin Miniature (Fig. 2)	Solder, Ground Lug Omitted

### ACCESSORIES

PART NO.	DESCRIPTION (Refer to the accessories pages 25-27)
HDB-4	Hold Down Spring
HDB-9	Hold Down Spring



**Fig. 1**



**Fig. 2**

