

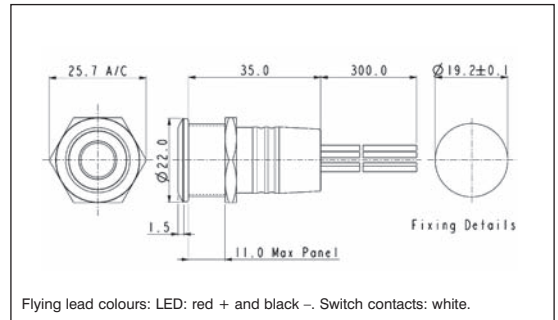
**Stainless Steel Illuminated Vandal Resistant with rear of panel IP66 seal**

**REAR PANEL SEALED - FLYING LEADS**



MPI002/FL/xx/x

- Dot or ring illumination
- 22mm diameter
- Single pole push to make
- 50mA, 24Vdc contact rating
- Red, Green, Amber, Blue & White illumination
- Bright daylight LEDs
- Independent LED terminals
- Front and rear panel seal to IP66
- Flying lead termination
- TVS protection

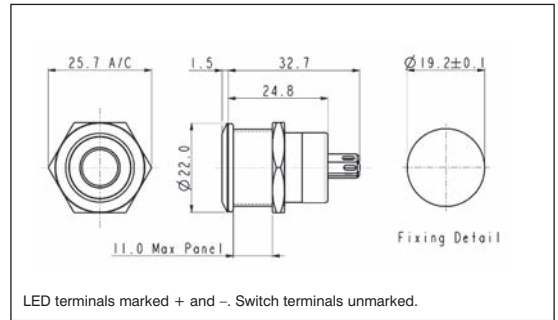


**REAR PANEL SEALED - SOLDER TAG**



MPI001/RP/xx/x

- Dot or ring illumination
- 22mm diameter
- Single pole push to make
- 50mA, 24Vdc contact rating
- Red, Green, Amber, Blue & White illumination
- Bright daylight LEDs
- Independent LED terminals
- Front and rear panel seal to IP66
- Solder tag termination
- TVS protection



Specification	MPI001/Termination/Colour/Voltage	MPI002/Termination/Colour/Voltage
<b>Illumination style:</b>	Dot	Ring
<b>Terminations:</b>	/FL (Flying leads) /RP (Solder tags)	/FL (Flying leads) /RP (Solder tags)
<b>Switching:</b>	Single pole, push to make, tactile (momentary action)	Single pole, push to make, tactile (momentary action)
<b>Max. Switch Rating:</b>	50mA, 24Vdc	50mA, 24Vdc
<b>LEDs (ratings @ 20mA)</b>		
Part No.	/RD /GN /AM /BL /WH	/RD /GN /AM /BL /WH
Colours	Red Green Amber Blue White	Red Green Amber Blue White
Luminous Intensity	900mcd 2500mcd 900mcd 1500mcd 900mcd	900mcd 2500mcd 900mcd 1500mcd 900mcd
Forward Voltage	1.85V 3.5V 2.3V 3.5V 3.6V	1.85V 3.5V 2.3V 3.5V 3.6V
Forward Current	20mA 20mA 20mA 20mA 20mA	20mA 20mA 20mA 20mA 20mA
<b>Illumination Voltage:</b>	/no suffix No resistor fitted. An appropriate resistor must be series connected by the user. Voltages as above.	/no suffix No resistor fitted. An appropriate resistor must be series connected by the user. Voltages as above.
	/6 6Vdc	/6 6Vdc
	/12 12Vdc	/12 12Vdc
	/24 24Vdc	/24 24Vdc
<b>Contact Resistance:</b>	< 100mΩ	< 100mΩ
<b>Insulation Resistance:</b>	> 10 <sup>3</sup> MΩ.	> 10 <sup>3</sup> MΩ.
<b>Dielectric Strength:</b>	Contact to panel >2.0kV Contact to contact 1500V	Contact to panel >2.0kV Contact to contact 1500V
<b>Operating Temp. Range:</b>	-30°C to +70°C	-30°C to +70°C
<b>Sealing</b> (Front & rear of panel):	Protection classification: IP66, EN60529 1992	Protection classification: IP66, EN60529 1992
<b>Operations</b>		
Mechanical:	750,000 (min)	750,000 (min)
Electrical:	35,000 (min)	35,000 (min)
<b>Operating Pressure:</b>	12N	12N
<b>Rear Nut Fixing Torque:</b>	0.57Nm	0.57Nm
<b>Materials</b>		
Switch assembly:	UL94V-0 rated Polyamide (Nylon)	UL94V-0 rated Polyamide (Nylon)
Tags:	Copper Alloy	Copper Alloy
Leads:	Tinned, stranded copper conductors	Tinned, stranded copper conductors
Switch Body & Button:	Stainless Steel	Stainless Steel
Lens and Lens Body:	Polycarbonate	Polycarbonate
O ring:	Nitrile	Nitrile
Internal seal:	Silicone	Silicone
Contact Plate:	Gold Plated	Gold Plated
<b>Thread size:</b>	18.97mm x 26TPI	18.97mm x 26TPI
	ESD Handling precautions must be taken	ESD Handling precautions must be taken
	Compliant	Compliant

