

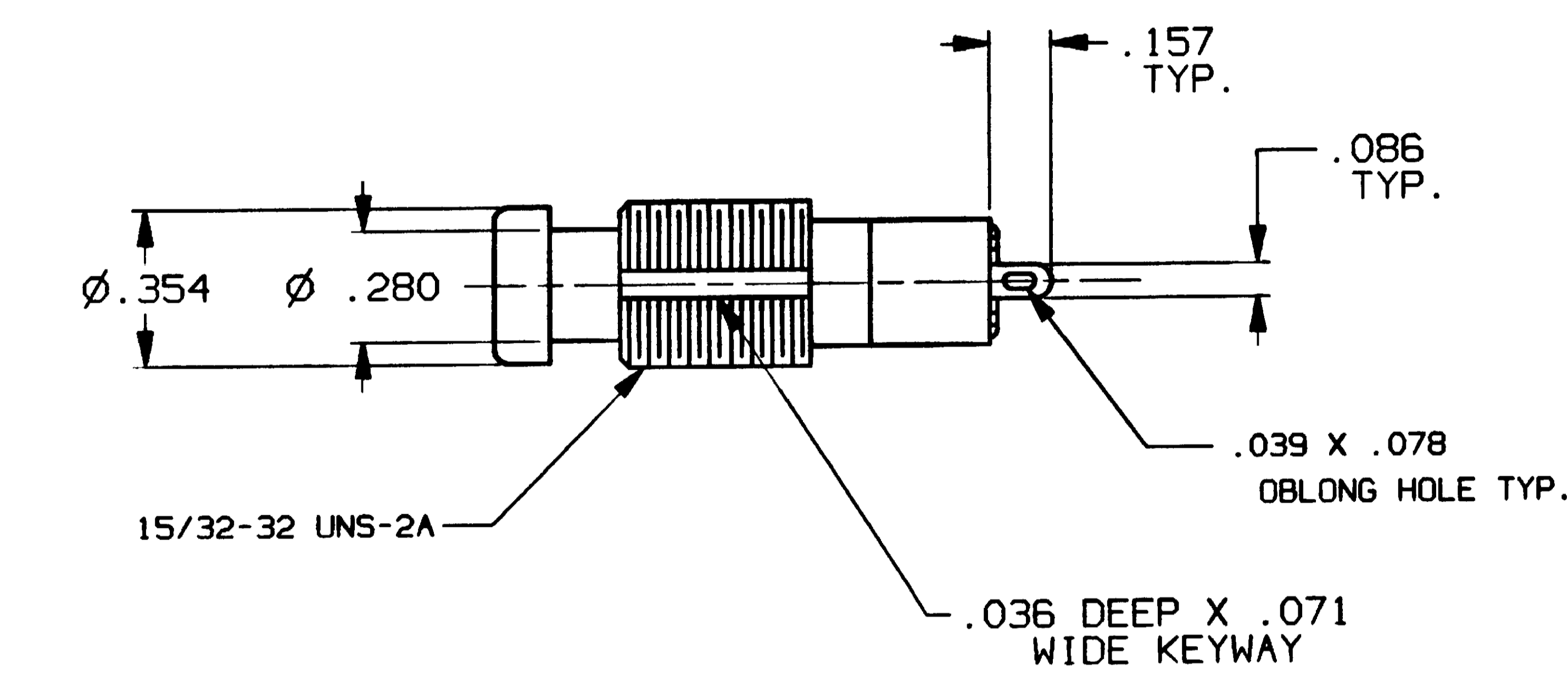
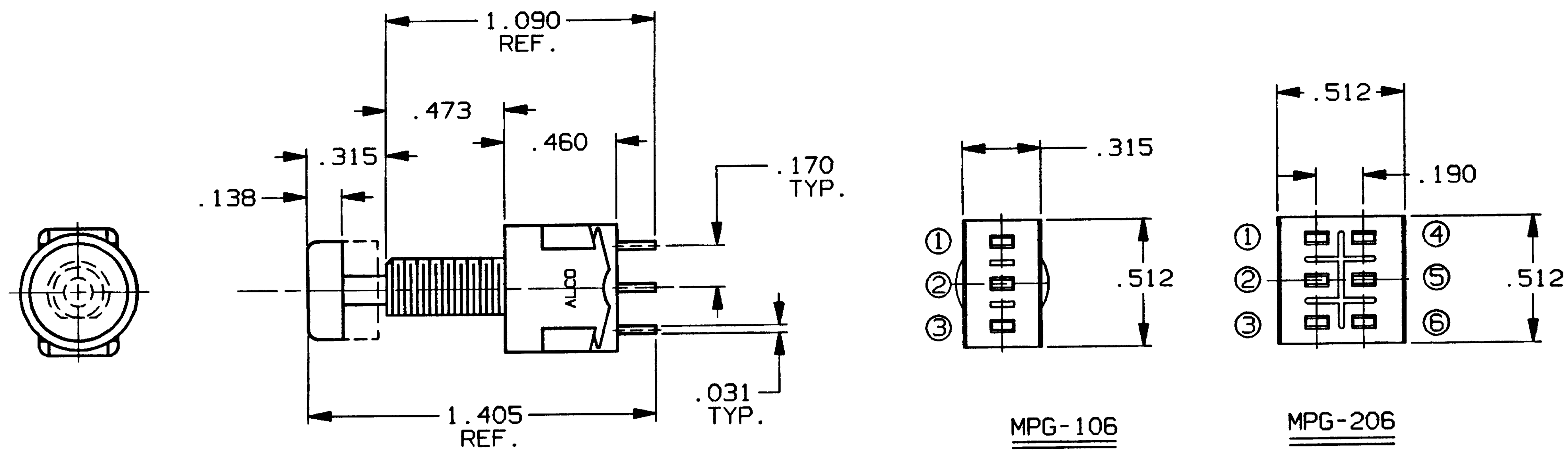
4

3

2

1

CONVERSION CHART	
INCH	MM
.010	0,25
.031	0,79
.039	1,00
.060	1,52
.065	1,65
.078	1,98
.086	2,15
.125	2,18
.130	3,30
.138	3,51
.157	4,00
.170	4,30
.190	4,83
.244	6,20
.280	7,11
.315	8,00
.354	8,99
.440	11,18
.443	11,25
.460	11,68
.468	11,89
.473	12,01
.475	12,07
.512	13,00
1.090	27,69
1.405	35,69



**SPECIFICATIONS:**

**MATERIALS:**  
CASE: DIALLYL PHTHALATE UL94V-0  
ACTUATOR BUTTON: POLY VINYL CHLORIDE, RETAINED ON SHAFT BY INTEGRAL SNAP ACTION.  
COLORS: WHITE, RED, BLACK, GRAY, GREEN, BLUE, PINK, YELLOW.  
MOVING CONTACT: COPPER, GOLD FLASH OVER SILVER CLAD.  
FIXED CONTACT: COPPER, GOLD FLASH OVER SILVER CLAD.  
TERMINALS: COPPER, GOLD FLASH SEPARATED BY HIGH VOLTAGE BARRIERS. WILL ACCEPT "PUSH-ON" WIRE TERMINALS AMP #60658-1 OR EQUAL. WILL ACCEPT TWO #20 AWG SOLID OR STRANDED LEADS.

**ELECTRICAL:**  
CONTACT RATING: 6 AMPERES @ 125 VAC (RESISTIVE LOAD).  
3 AMPERES @ 250 VAC (RESISTIVE LOAD).  
INITIAL CONTACT RESISTANCE: 10 MILLIOHMS MAX. @ 2-4 VDC, 1 AMP.  
INSULATION RESISTANCE: 1000 MEGOHMS MINIMUM.  
DIELECTRIC STRENGTH: 1500 VAC.  
LIFE EXPECTANCY: 30,000 CYCLES AT 25 TO 30 CYCLES PER MINUTE AT RATED CURRENT.

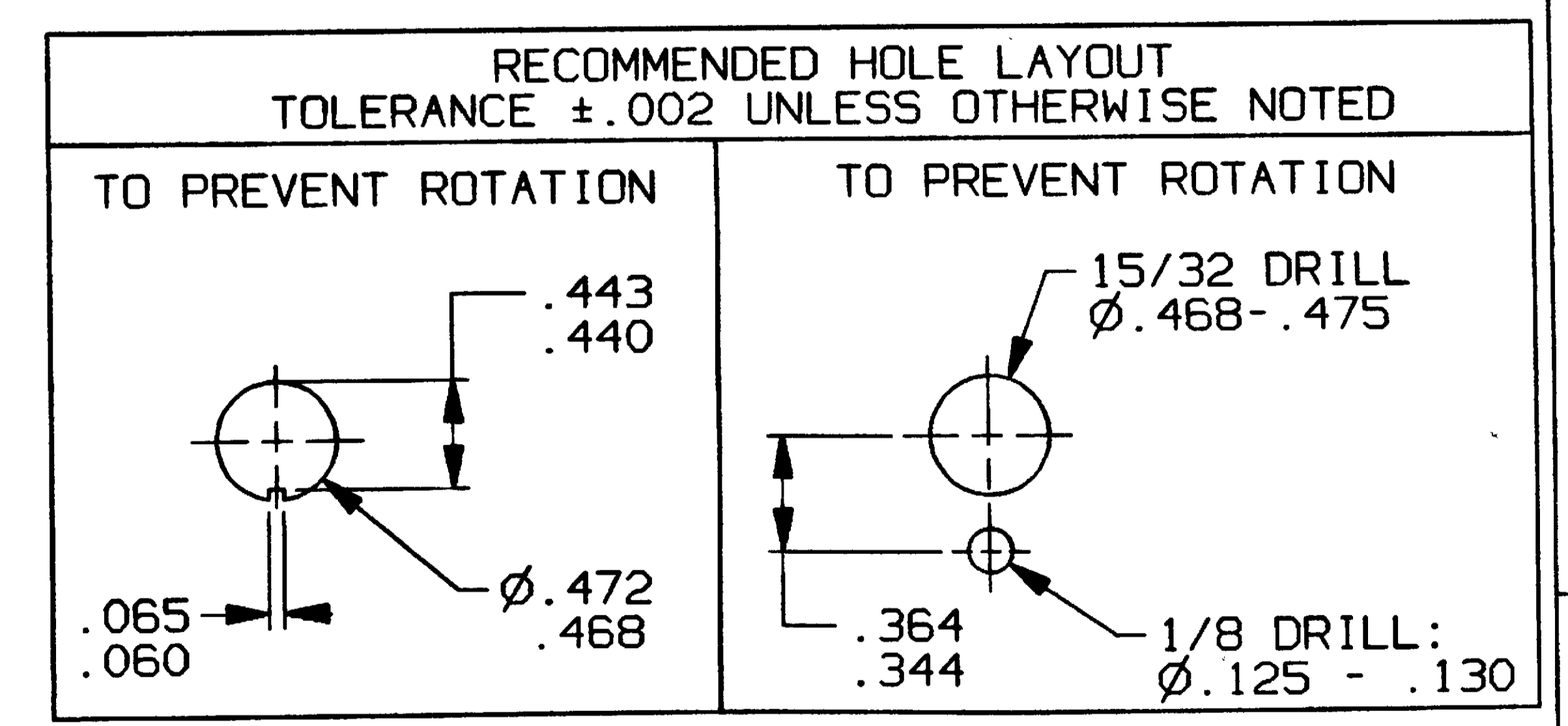
**MECHANICAL:**  
ACTUATION FORCE: 0.4 - 2.0 Kg.  
ACTUATION TRAVEL: .138  
LIFE EXPECTANCY: 60,000 CYCLES.

**ENVIRONMENTAL:**  
OPERATING TEMPERATURE: -4°F TO +176°F (-20°C TO +80°C)  
STORAGE TEMPERATURE: -40°F TO +176°F (-40°C TO +80°C)

**NOTES:**

- INTERPRET DRAWING PER ASME Y14.5M-1994.
- MOUNTING HARDWARE: (2) 15/32 - 32 UNS-2B HEX NUTS, BRASS.  
(1) INTERNAL TOOTH LOCKWASHER.  
(1) ANTI-ROTATION WASHER.

MODEL NO.	POLES	ACTION	PUSH TO		NORMALLY CLOSED	PUSH TO CLOSE
			OPEN	CLOSED		
MPG106D	SPDT 2 POSITIONS	DETENT	2 TO 1 2 TO 3	2 TO 3 2 TO 1		
MPG106F	SPDT 2 POSITIONS	DETENT/MOM.			2 TO 1	2 TO 3 MOM.
MPG206N	DPDT 2 POSITIONS	DETENT	2 TO 1, 5 TO 4 2 TO 3, 5 TO 6	2 TO 3, 5 TO 6 2 TO 1, 5 TO 4		
MPG206R	DPDT 2 POSITIONS	DETENT/MOM.			2 TO 1 5 TO 4	2 TO 3 MOM. 5 TO 6 MOM.



THIS IS A C.A.D. GENERATED DRAWING.  
DO NOT MAKE MANUAL REVISIONS TO MASTER.

**OUTLINE DRAWING**  
SPECIFICATIONS ARE SUBJECT TO CHANGES WITHOUT NOTICE

REV	1	2
REVISIONS	INITIAL RELEASE B.B. 8-15-73	REVISED & REDRAWN ECO# 392-95 K.W. 8-13-95 APP'D: [Signature]

 THIRD ANGLE PROJECTION TOLERANCES (EXCEPT AS NOTED) ANGULAR = ± 1° DECIMAL .XX = ± .01 DECIMAL .XXX = ± .010 DECIMAL .XXXX = ± .015 AUGAT CONFIDENTIAL This document contains information which is the exclusive property of Augat Inc. Distribution, reproduction or use by others is not permitted without the expressed written consent of Augat Inc.	UNLESS OTHERWISE SPECIFIED DIMENSIONS ARE IN INCHES DO NOT SCALE PRINT FILE NAME: 80167OUT DIRECTORY: PSHSWTCH MATERIAL: SEE ABOVE FINISH: SEE ABOVE	ORIGINAL DATE OF DRAWING: 8-15-73 DRAWN: B.BUCKHEIT DATE: 8-15-73 CHECKED: DATE: APPROVED: DATE:	 452 JOHN DIETSCH BLVD. ATTLEBORO FALLS, MASS. 02763 INC. <b>TITLE: OUTLINE DRAWING</b> PUSHBUTTON SWITCH SPDT - DPDT MPG1/206* DWG. NO. 80167-SD REV. 2 PRODUCT CODE: B13 SCALE: 2:1 SHEET 1 OF 1
	CODE IDENT. NO. 91506 DWG. SIZE C NEXT ASSY:		

4

3

2

1