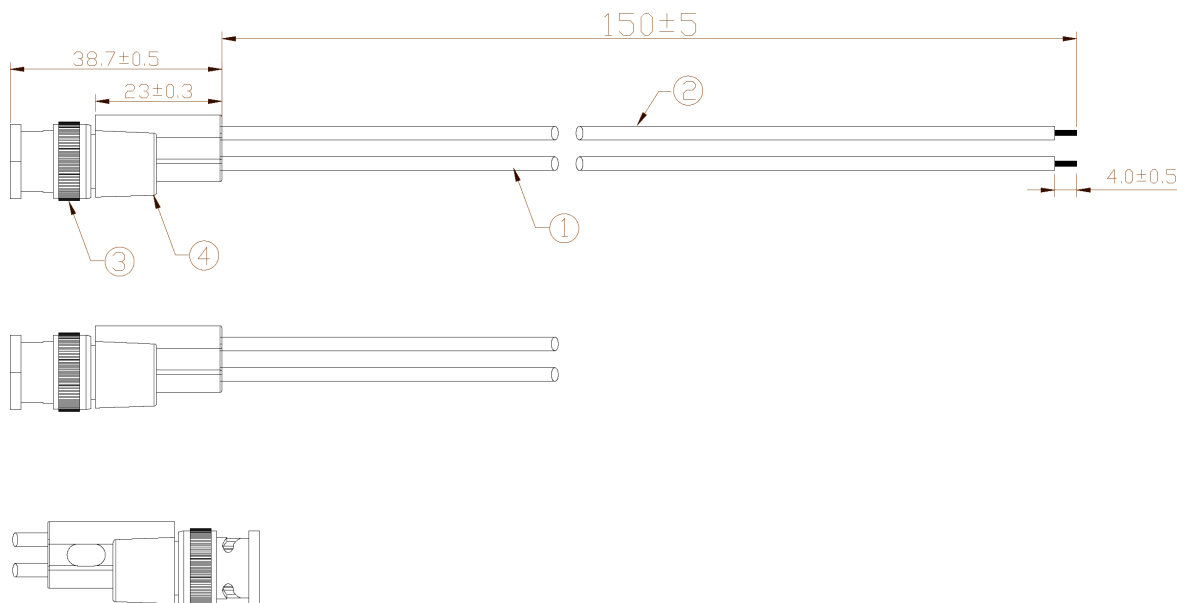


MP770799 : BNC Male Plug to Free End

RoHS
Compliant



Diagram



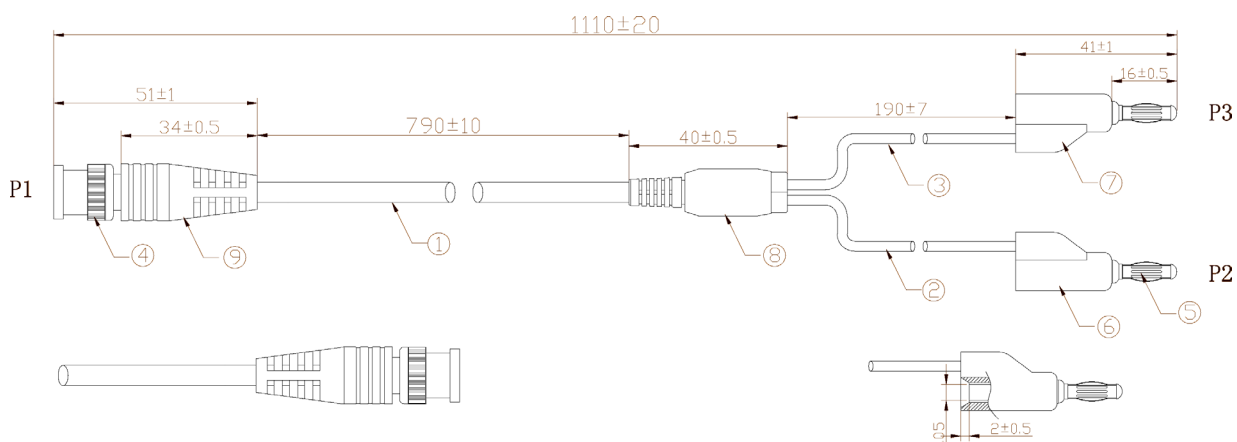
Specification

BNC Male Plug to Flying Leads (x2), RF Breakout, 500Vrms, 5.8" Length (150mm)

No.	Description
1	UL 1015 20AWG (26 × 0.16TC) OD:2.5MM (1797C)
2	UL 1015 20AWG (26 × 0.16TC) OD:2.5MM
3	BNC
4	PVC 60°45P JLBK01 94V-2 FT2
5	80mm × 120mm × 0.06mm PE

BNC Test Leads

MP770800 : BNC Plug to 4mm Stackable Banana Plugs



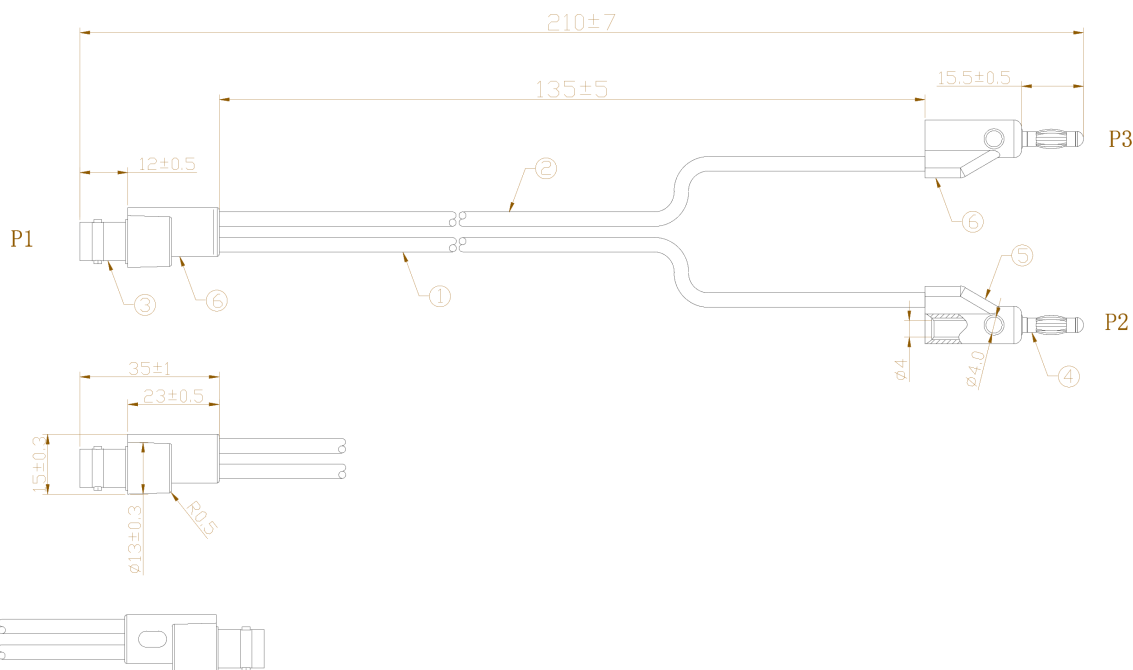
Specification

BNC Plug to 4mm Stackable Banana Plugs (x2),
1.11m Length

No.	Description
1	RG58A/U COAXIAL CABLE 50 OHM OD:5.0
2	UL 1015 20AWG PVC (26 × 0.16TC) OD:2.5MM (1797C)
3	UL 1015 20AWG PVC (26 × 0.16TC) OD:2.5MM
4	BNC ø5.6 9MM
5	ø5.5 × 38.5 + 3 × 12
6	PVC 60° 45P (1797C)JLRD01 94V-2 65 FT2
7	PVC 60° 45P JLBK01 94V-2 65 FT2
8	PVC 60° 45P JLBK01 94V-2 65 FT2
9	PVC 60° 45P JLBK01 94V-2 65 FT2
10	80 × 120 × 0.06mm PE

BNC Test Leads

MP770801 BNC Jack to 4mm Stackable Banana Plugs



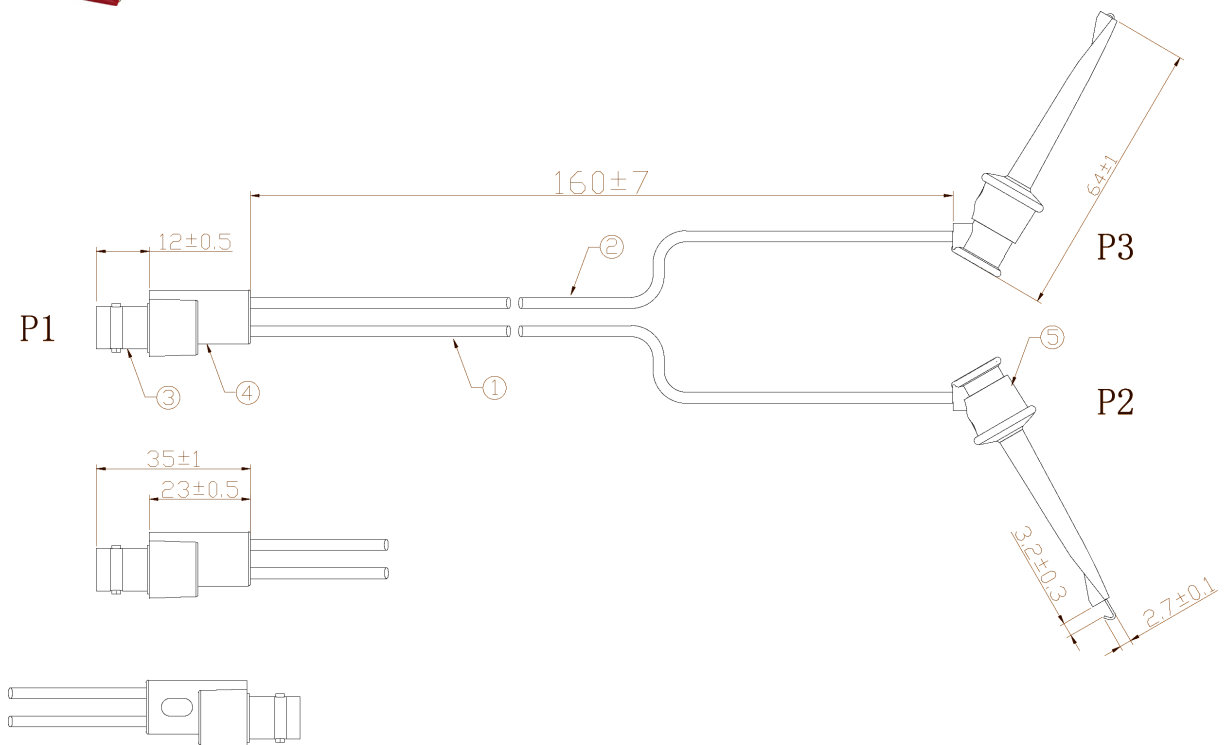
Specification

BNC Jack to 4mm Stackable Banana Plugs (x2),
60V, L=135MM

No.	Description
1	NOUL PVC (102 × 0.1BC) OD:3.6MM (1797C)
2	NOUL PVC (102 × 0.1BC) OD:3.6MM
3	BNC ø9.6mm × 22.65mm
4	ø5.5 × 38.5 - ø4MM + ø3 × 12
5	PVC 60° 45P JLRD01 94V-2 65 FT2
6	PVC 60° 45P JLRD01 94V-2 65 FT2
7	80 × 120 × 0.06mm PE

BNC Test Leads

MP770802 BNC Jack to Hook Clips

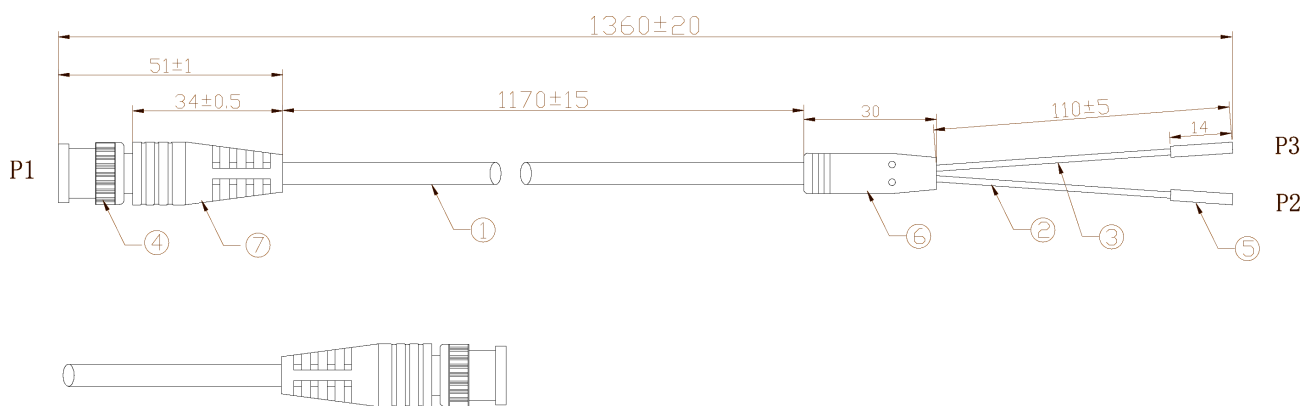


Specification

BNC Jack to Hook Clips (x2), 60VDC, L=160MM

No.	Description
1	UL 1015 20AWG PVC (26 × 0.16TC) OD:2.5MM (1797C)
2	UL 1015 20AWG PVC (26 × 0.16TC) OD:2.5MM
3	BNC ,ø9.6mm × 22.65mm
4	PVC 60°45P JLBK01 94V-2 65 FT2
5	64MM (1797C) / ø2.8
6	80mm × 120mm × 0.06mm PE

MP770803 BNC Plug to 0.64mm Square Pin Sockets



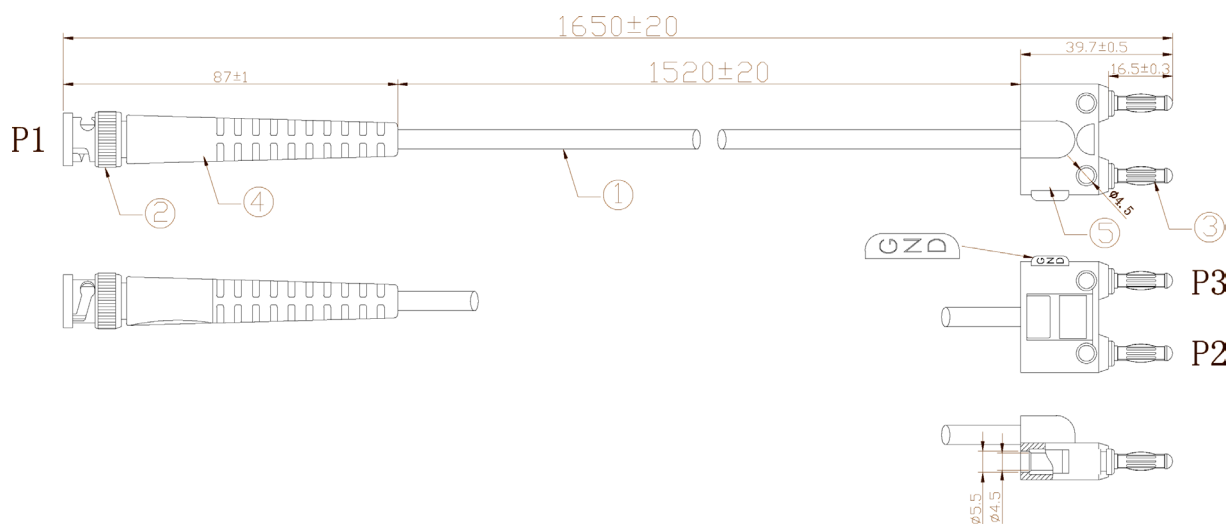
Specification

BNC Plug to 0.64mm Square Pin Sockets (x2),
60V, 1.36m length

No.	Description
1	RG58A/U Coaxial Cable 50Ω OD:5.0
2	UL 1007 24AWG PVC (11 × 0.16TC) OD:1.37MM (1797C)
3	UL 1007 24AWG PVC (11 × 0.16TC) OD:1.37MM
4	BNC ,ø5.6mm 9mm
5	A2545H-01P+A2541-HPE
6	PVC 60°45P JLBK01 94V-2 65 FT2
7	PVC 60°45P JLBK01 94V-2 65 FT2
8	80 × 120 × 0.06MM

BNC Test Leads

MP770804 BNC Plug to 4mm Double Banana Plug, Black, 60V

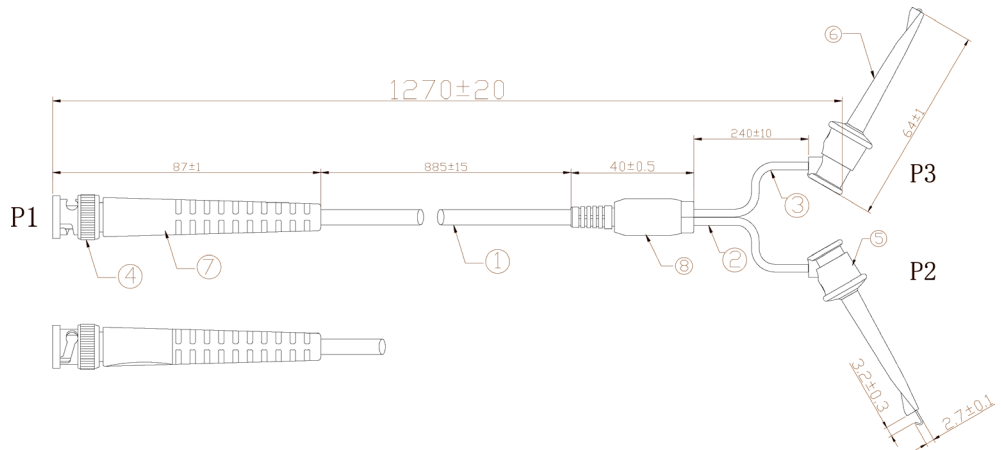


Specification

BNC Plug to 4mm Double Banana Plug, Black, 60V, 1.52m length

No.	Description
1	RG58C/U OD:5.0
2	BNC, Ø5.6 11mm
3	Ø6.5 × 37 +3 × 12
4	PVC 60°45P JLBK01 94V-2 65 FT2
5	PVC 60°45P JLBK01 94V-2 65 FT2
6	100MM
7	80 × 120 × 0.06MM PE

MP770807 BNC Plug to Hook Clips



Specification

BNC Plug to Hook Clips (x2)

No.	Description
1	RG58 C/U OD:5.0
2	UL 1015 20AWG PVC (26 × 0.16TC) OD:2.5MM (1797C)
3	UL 1015 20AWG PVC (26 × 0.16TC) OD:2.5MM
4	BNC ø5.6 11MM
5/6	64MM (1797C) ø2.8
7	PVC 60° 45P JLBK01 94V-2 65 FT2
8	PVC 60° 45P JLBK01 94V-2 65 FT2
9	100MM
10	80mm × 120mm × 0.06mm PE

Dimensions : Millimetres

Part Number Table

Description	Part Number
BNC Test Lead, BNC Male Plug to Free End, 500Vrms, 150mm	MP770799
BNC Test Lead, BNC Plug to 4mm Stackable Banana Plugs, Black, 1.11m	MP770800
BNC Test Lead, BNC Jack to 4mm Stackable Banana Plugs, 60V, 135mm	MP770801
BNC Test Lead, BNC Jack to Hook Clips, 60V, 160mm	MP770802
BNC Test Lead, BNC Plug to 0.64mm Square Pin Sockets, Black, 60V, 1.36m	MP770803
BNC Test Lead, BNC Plug to 4mm Double Banana Plug, Black, 60V, 1.52m	MP770804
BNC Test Lead, BNC Plug to Hook Clips, Black, 885mm	MP770807

Important Notice : This data sheet and its contents (the "Information") belong to the members of the AVNET group of companies (the "Group") or are licensed to it. No licence is granted for the use of it other than for information purposes in connection with the products to which it relates. No licence of any intellectual property rights is granted. The Information is subject to change without notice and replaces all data sheets previously supplied. The Information supplied is believed to be accurate but the Group assumes no responsibility for its accuracy or completeness, any error in or omission from it or for any use made of it. Users of this data sheet should check for themselves the Information and the suitability of the products for their purpose and not make any assumptions based on information included or omitted. Liability for loss or damage resulting from any reliance on the Information or use of it (including liability resulting from negligence or where the Group was aware of the possibility of such loss or damage arising) is excluded. This will not operate to limit or restrict the Group's liability for death or personal injury resulting from its negligence. Multicomp Pro is the registered trademark of Premier Farnell Limited 2019.