

Test Leads Kit, 8 Piece

multicomp PRO

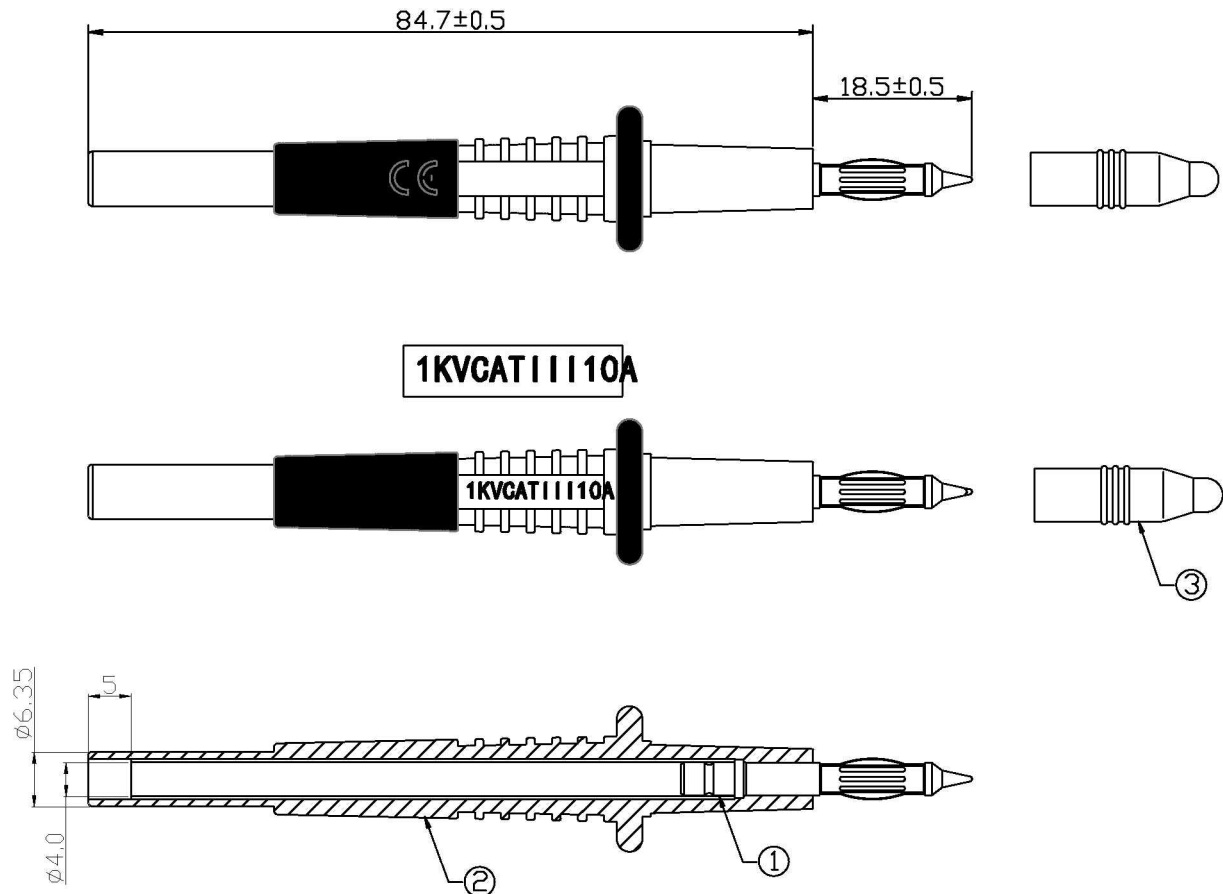
RoHS
Compliant



Kit Contents

4 Pcs of Test Leads, 2 Pcs of Crocodile Clips, 2 Pcs of Lead ends

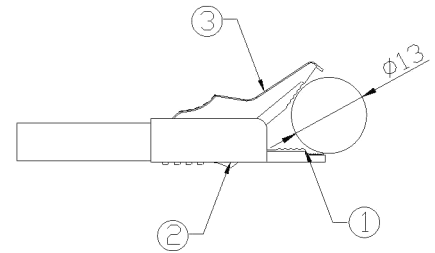
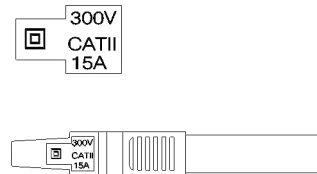
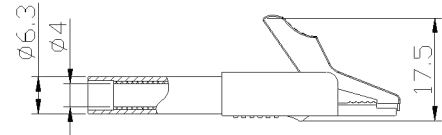
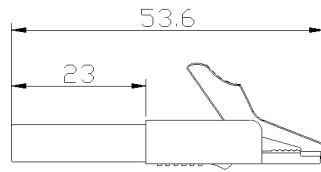
Diagram



No.	Description
1	∅4.5 × 33.5 + ∅3 × 12mm + ∅4.75 × 4.05 × 70.5
2	PVC 60°C 45P 94V-2 65 FT2
3	PVC, ∅04mm

Test Leads Kit, 8 Piece

multicomp PRO

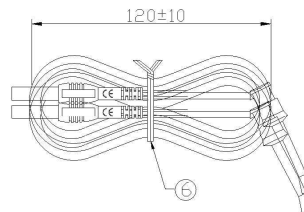
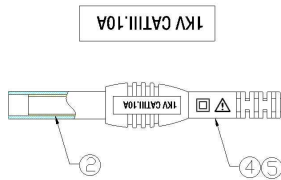


No.	Description
1	A088
2	A088 300V CATII 15A
3	A088 OK



Specification

30V AC/60V DC 5A



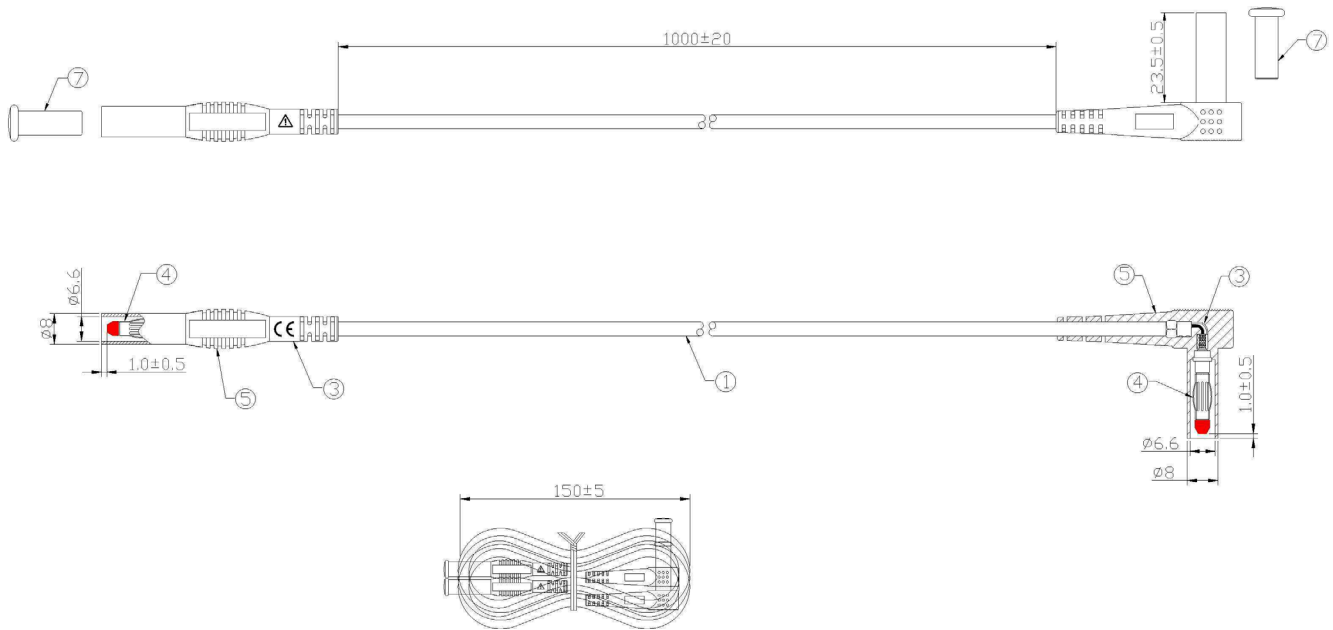
No.	Description
1	NOUL (41/0.1BC) OD:3mm PVC
2	25.2mm
3	0.4 × 6.5 × 55
4	H65
5	PVC 60° 45P 94V-2 65 FT2
6	L = 80mm

Newark.com/multicomp-pro
 Farnell.com/multicomp-pro
 Element14.com/multicomp-pro

multicomp PRO

Test Leads Kit, 8 Piece

multicomp PRO



No.	Description
1	NOUL (102/0.1BC) + 250 D OD:3.6mm PVC
2	ø5 × 25.2 + 3 × 12
3	H65
4	45P PVC (1797C)
5	ø4.8 (Pantone: 1797C) / : 3C2X PE

Dimensions : Millimetres

Part Number Table

Description	Part Number
Test Leads Kit, 8 Piece	MP770738

Important Notice : This data sheet and its contents (the "Information") belong to the members of the AVNET group of companies (the "Group") or are licensed to it. No licence is granted for the use of it other than for information purposes in connection with the products to which it relates. No licence of any intellectual property rights is granted. The Information is subject to change without notice and replaces all data sheets previously supplied. The Information supplied is believed to be accurate but the Group assumes no responsibility for its accuracy or completeness, any error in or omission from it or for any use made of it. Users of this data sheet should check for themselves the Information and the suitability of the products for their purpose and not make any assumptions based on information included or omitted. Liability for loss or damage resulting from any reliance on the Information or use of it (including liability resulting from negligence or where the Group was aware of the possibility of such loss or damage arising) is excluded. This will not operate to limit or restrict the Group's liability for death or personal injury resulting from its negligence. Multicomp Pro is the registered trademark of Premier Farnell Limited 2019.

Newark.com/multicomp-pro
 Farnell.com/multicomp-pro
 Element14.com/multicomp-pro

multicomp PRO