

Test Leads Kit, 22 Piece

multicompPRO

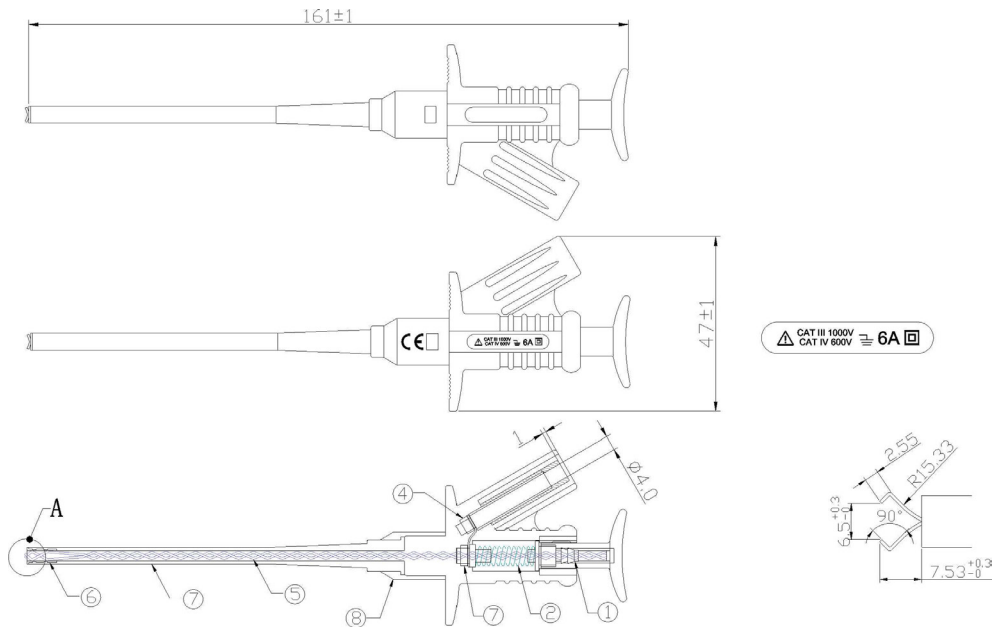
**RoHS
Compliant**



Kit Contents

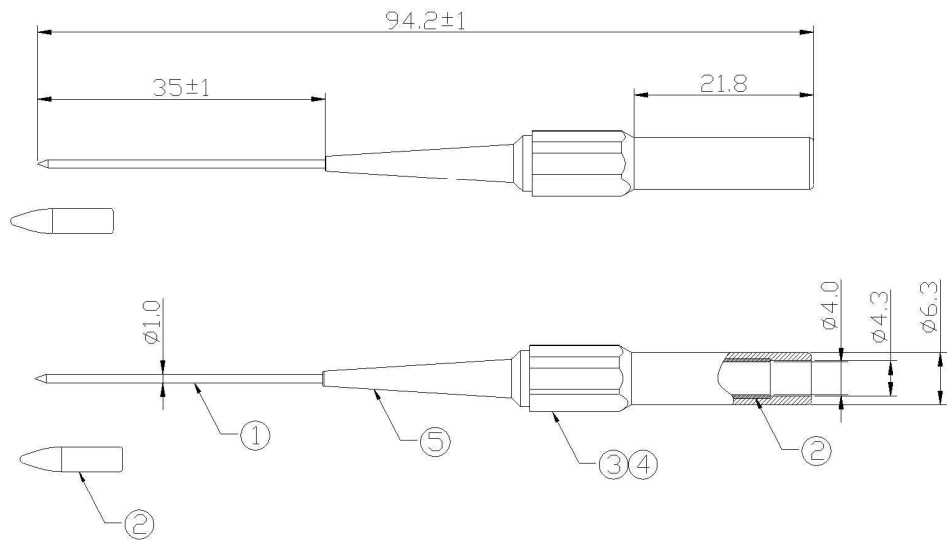
4 Pcs of Test Leads, 4 Pcs of Crocodile Clips, 14 Pcs of Lead ends

Diagram



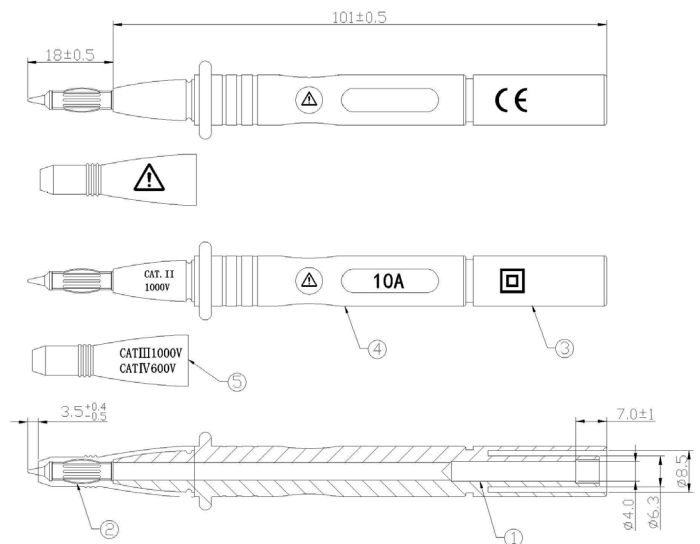
No.	Description
1	ø8 × 22mm
2	CO7 0.8 × OD5.5 H25.0N11.0
3	5.5 × 16.9 + M4 + A27
4	ø5 × 25.5mm + M3
5	ø0.55mm Y SUS304 CO7
6	ø4.5mm + 0.5 × OD2.8 × L83mm
7	TPE 70° AP12005-1
8	101L PA66

Test Leads Kit, 22 Piece **multicomp** PRO



Specification
30V AC/60V DC 3A

No.	Description
1	∅1 × 61.2mm
2	∅4.8 × 4mm × 21.5
3	∅5.3 × 13.5 + ∅1.1
4	PA66, 30V
5	PA66
6	PVC

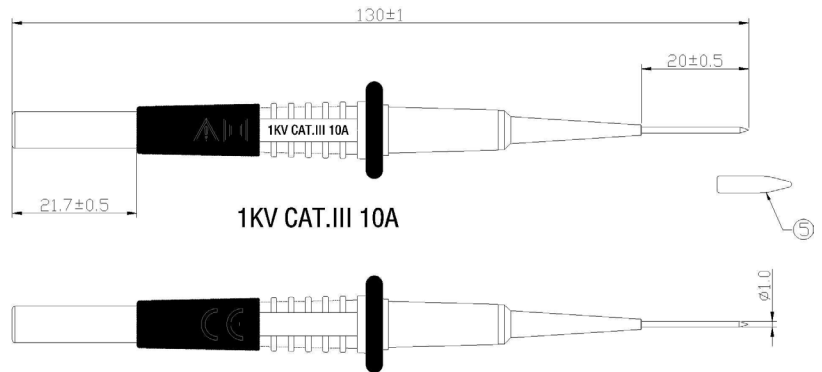


No.	Description
1	∅4.5 × 33.5mm + ∅4.75 × 4.05 × 85mm
2	∅3 × 12
3	20P PVC (94V-1)
4	70P PVC (94V-1)
5	UT803 / PP

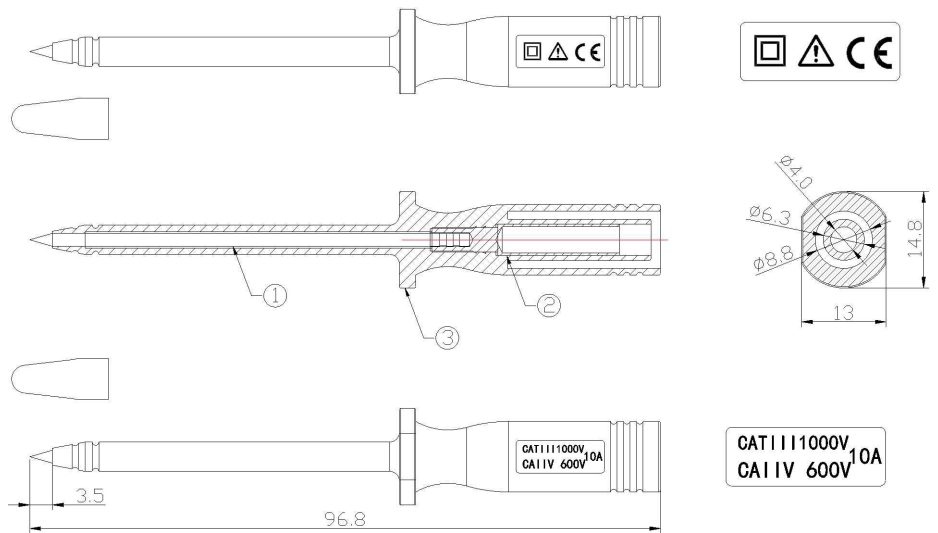
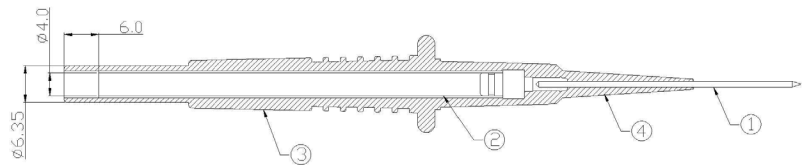
Newark.com/multicomp-pro
Farnell.com/multicomp-pro
Element14.com/multicomp-pro

multicomp PRO

Test Leads Kit, 22 Piece **multicomp** PRO



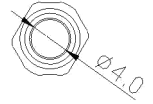
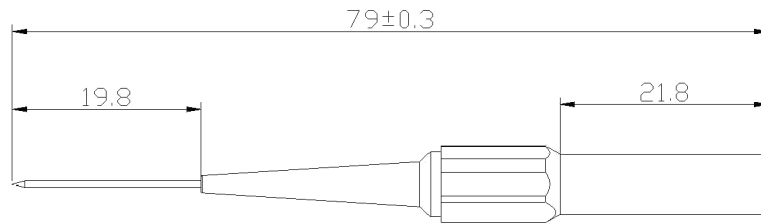
No.	Description
1	∅1 × 46.5mm SUS304
2	∅5 × 15.2 + 4.75 × 4.05 × 70.5
3	∅1mm, 1KV CAT.III 10A
4	PA66
5	-



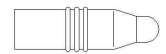
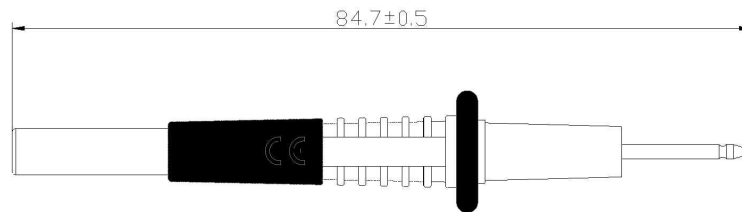
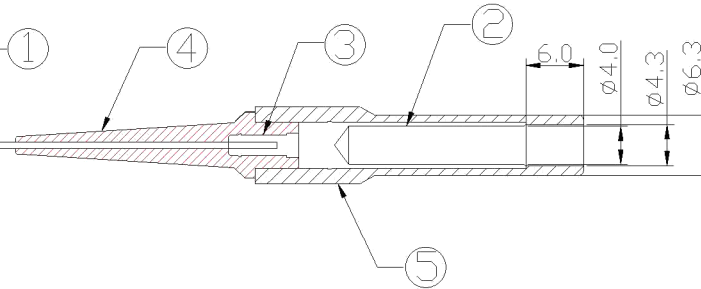
No.	Description
1	∅2 × 67.5mm
2	∅4.75 × 29mm (2)
3	∅4mm 1000V CAT.III/600VCAT.IV 10A L= 93mm

Test Leads Kit, 22 Piece **multicomp** PRO

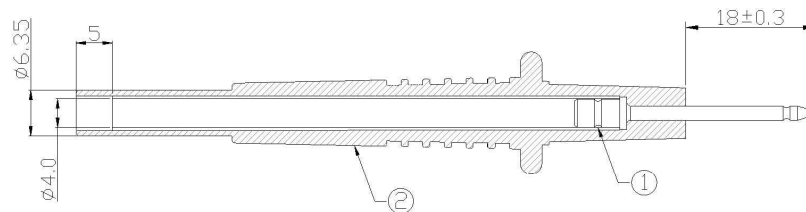
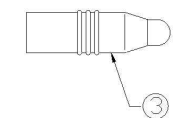
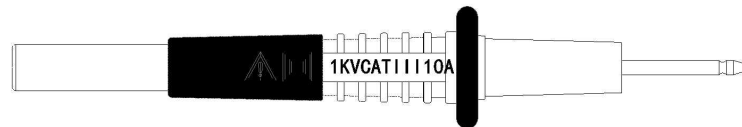
Specification
30V AC/60V DC 3A



No.	Description
1	$\phi 0.7 \times 45.5$
2	$\phi 4.8 \times 4 \times 21.5\text{mm}$
3	$\phi 5.3 \times 13.5\text{mm } \phi 0.8$
4	PA66
5	PA66 30V



1KVCAT I I I I 10A



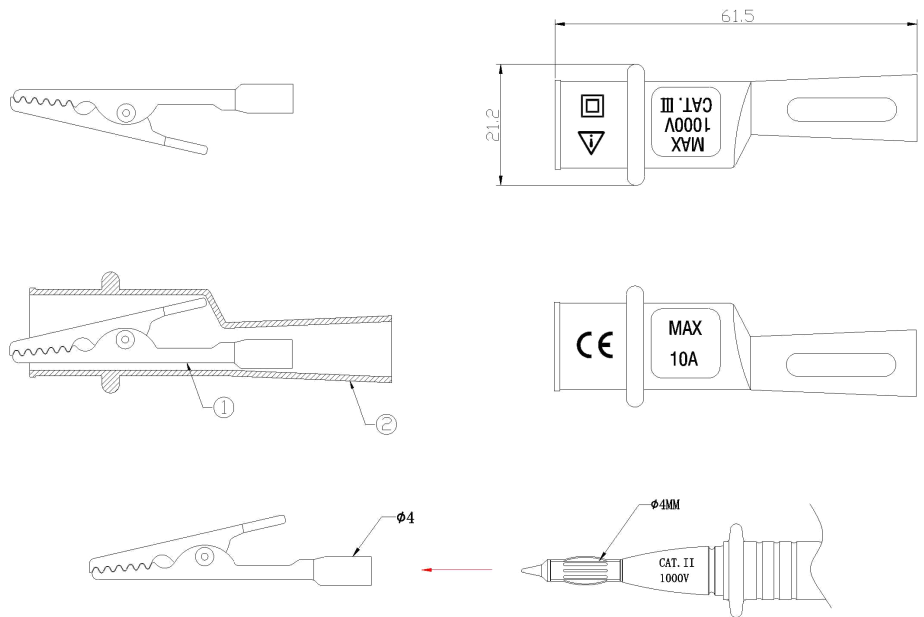
No.	Description
1	$\phi 4.5 \times 33.5 + \phi 4.75 \times 4.05 \times 70.5$
2	PVC 60° 45P 94V-2 65 FT2
3	PVC, $\phi 2\text{mm}$

Newark.com/multicomp-pro
Farnell.com/multicomp-pro
Element14.com/multicomp-pro

multicomp PRO

Test Leads Kit, 22 Piece

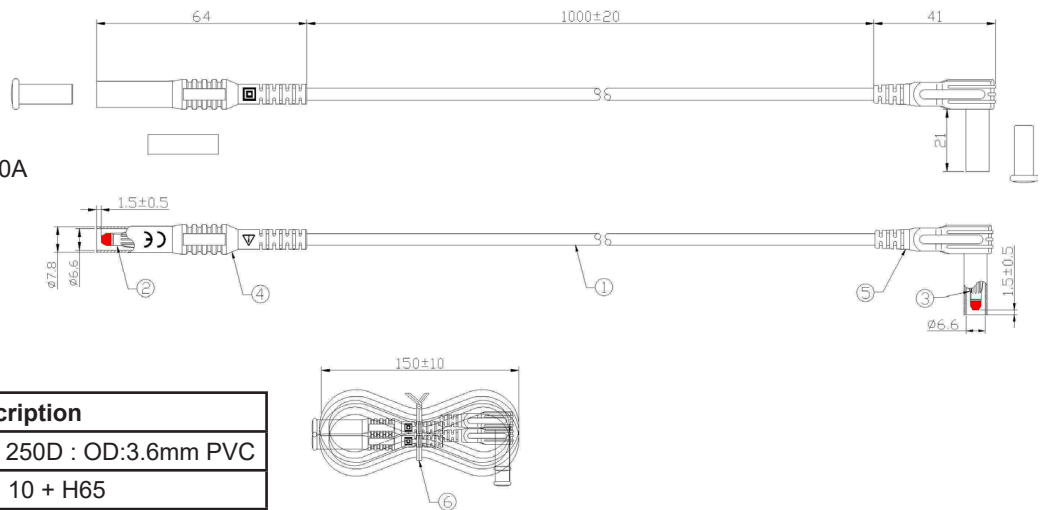
multicomp PRO



No.	Description
1	A09
2	0.5X TPE Max 10A Max CATIII 1000V/CATIV 600V
3	PVC, ø2mm

Specification

CATIII 1000V-CATIV600V 10A



No.	Description
1	NOUL (102/0.1BC) + 250D : OD:3.6mm PVC
2	ø5.5 × 29.2mm + 3 × 10 + H65
3	ø5 × 25.2mm + ø3 × 12mm + H65
4	PA66
5	PVC 60° 45P 94V-2 65 FT2

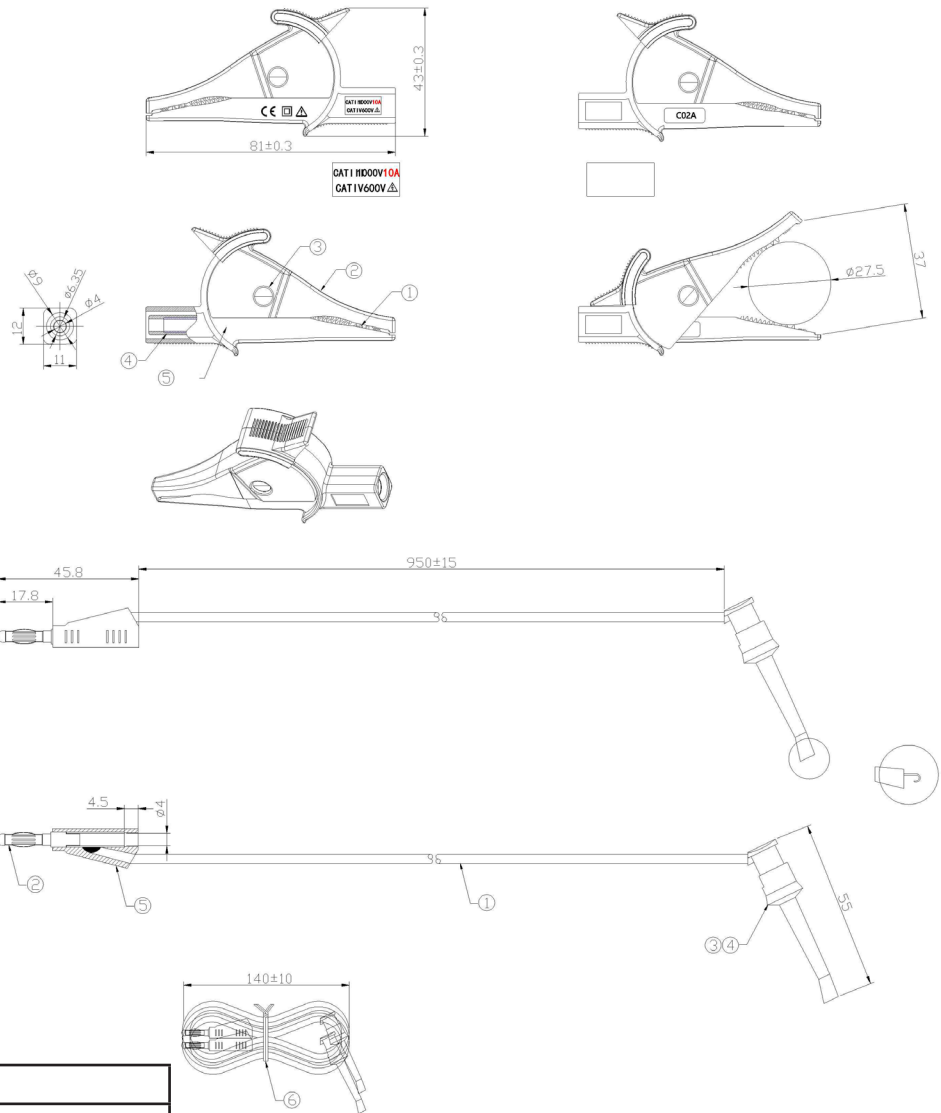
Newark.com/multicomp-pro
 Farnell.com/multicomp-pro
 Element14.com/multicomp-pro

multicomp PRO

Test Leads Kit, 22 Piece

multicomp PRO

No.	Description
1	∅0.6mm
2	PA66 101L
3	∅1.5 + ∅5 × 10
4	∅5 × 21 PP
5	M3 × 6 × 6mm



Specification
30V AC/60V DC 5A

No.	Description
1	NOUL (41/0.1BC) BCRD01 OD:3mm PVC
2	∅5 × 41.6mm + ∅3 × 12
3	∅0.4 × 5.55mm + 0.3 × OD2.2 × L32
4	-
5	PVC 60° 45P 94V-2 65 FT2

Dimensions : Millimetres

Part Number Table

Description	Part Number
Test Leads Kit, 22 Piece	MP770732

Important Notice : This data sheet and its contents (the "Information") belong to the members of the AVNET group of companies (the "Group") or are licensed to it. No licence is granted for the use of it other than for information purposes in connection with the products to which it relates. No licence of any intellectual property rights is granted. The Information is subject to change without notice and replaces all data sheets previously supplied. The Information supplied is believed to be accurate but the Group assumes no responsibility for its accuracy or completeness, any error in or omission from it or for any use made of it. Users of this data sheet should check for themselves the Information and the suitability of the products for their purpose and not make any assumptions based on information included or omitted. Liability for loss or damage resulting from any reliance on the Information or use of it (including liability resulting from negligence or where the Group was aware of the possibility of such loss or damage arising) is excluded. This will not operate to limit or restrict the Group's liability for death or personal injury resulting from its negligence. Multicomp Pro is the registered trademark of Premier Farnell Limited 2019.

Newark.com/multicomp-pro
Farnell.com/multicomp-pro
Element14.com/multicomp-pro

multicomp PRO