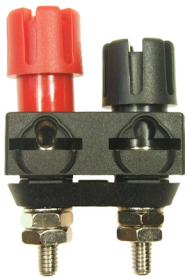


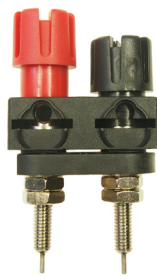
RoHS  
Compliant



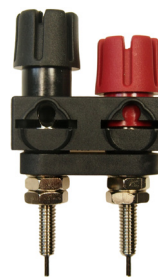
MP770669



MP770670



MP770671



MP770672

## Description

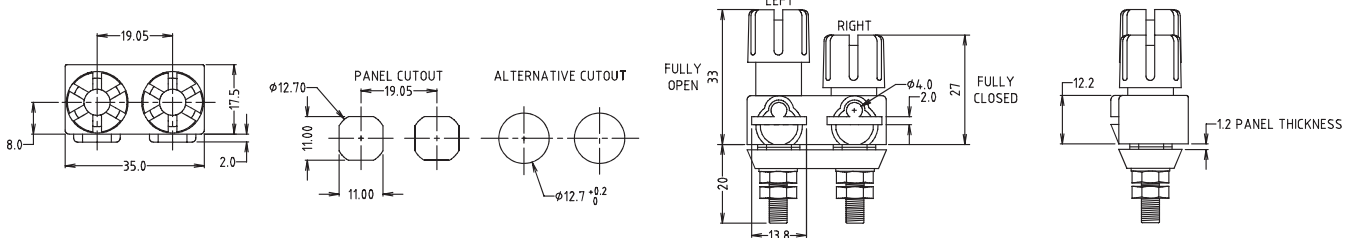
These dual Terminal Binding Post assemblies are designed for use in varied applications including professional and consumer audio, test and measurement, power supplies and industrial uses. Terminal spindles and mounting hardware are manufactured from high quality solid brass, nickel plated. These are fully insulated and 'touch proof' to reduce the risk of accidental electric shock in higher current applications. Available with Ø4mm cross hole and spade terminal slot.

## Specifications

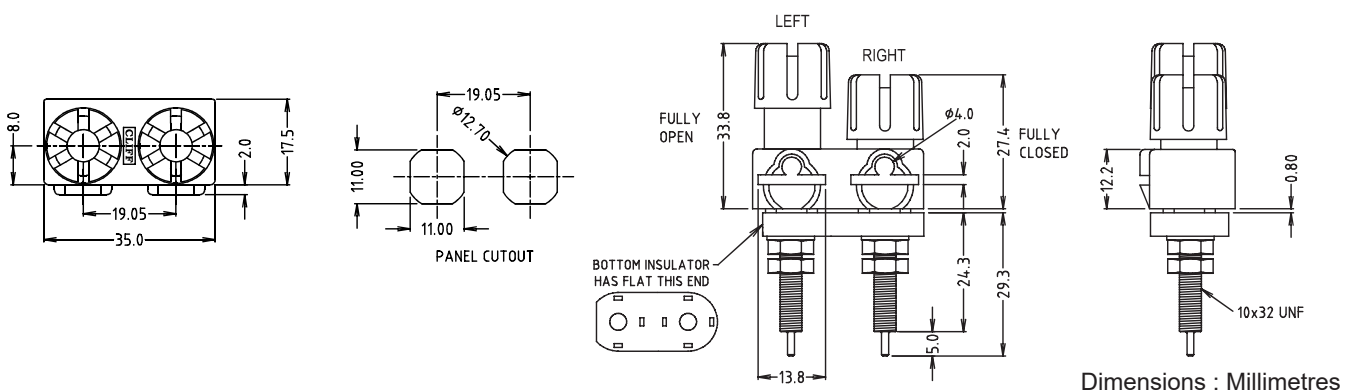
Max. Current	: 30A
Contact Resistance	: Nickel <30mΩ
Temperature Rating	: -20°C to +80°C
Flammability	: Minimum UL 94HB

## Diagrams

### MP770669 & MP770670



### MP770671 & MP770672



Dimensions : Millimetres

Newark.com/multicomp-pro  
Farnell.com/multicomp-pro  
Element14.com/multicomp-pro

## Part Number Table

Description	Part Number
Binding Post, Dual Terminal, 30A, Red/Black	MP770669
Binding Post, Dual Terminal, 30A, Black/Red	MP770670
Binding Post, Dual Terminal, 30A, Red/Black, PCB Mount	MP770671
Binding Post, Dual Terminal, 30A, Black/Red, PCB Mount	MP770672

**Important Notice :** This data sheet and its contents (the "Information") belong to the members of the AVNET group of companies (the "Group") or are licensed to it. No licence is granted for the use of it other than for information purposes in connection with the products to which it relates. No licence of any intellectual property rights is granted. The Information is subject to change without notice and replaces all data sheets previously supplied. The Information supplied is believed to be accurate but the Group assumes no responsibility for its accuracy or completeness, any error in or omission from it or for any use made of it. Users of this data sheet should check for themselves the Information and the suitability of the products for their purpose and not make any assumptions based on information included or omitted. Liability for loss or damage resulting from any reliance on the Information or use of it (including liability resulting from negligence or where the Group was aware of the possibility of such loss or damage arising) is excluded. This will not operate to limit or restrict the Group's liability for death or personal injury resulting from its negligence. Multicomp Pro is the registered trademark of Premier Farnell Limited 2019.