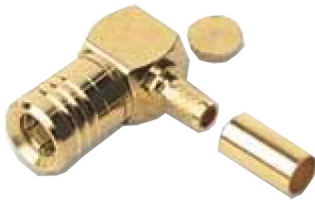


SMB Right-Angle Plug

multicomp^{PRO}

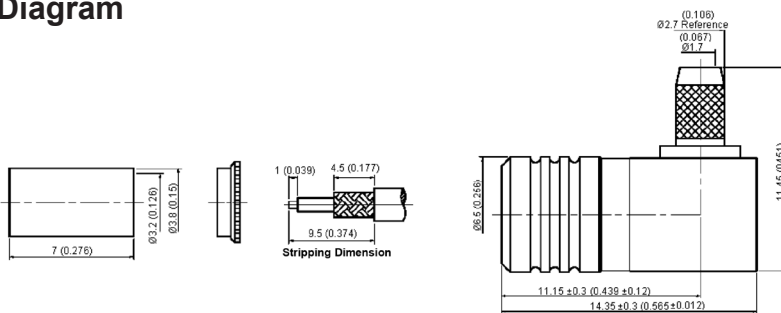
RoHS
Compliant



Specifications

Connector Type	: SMB Coaxial
Connector Body Style	: Right Angle Plug
Coaxial Termination	: Crimp
Impedance	: 50Ω
Coaxial Cable Types	: RG174
Contact Material	: Beryllium Copper
Contact Plating	: Gold Plated Contacts
Frequency Max	: 4 GHz
Connector Mounting	: Cable Mount

Diagram



No.	Description	Material	Finish
1	Spring Washer	Beryllium Copper	Gold
2	Shell	Brass	Gold 3μ" Min.
3	Insulation	PTFE	None
4	Centre Contact	Beryllium Copper	Gold 30μ" Min.
5	Chassis	Brass	Gold 3μ" Min.
6	Body		None
7	Crimp Ferrule		Gold 3μ" Min.
8	Cap		

Part Number Table

Description	Part Number
SMB Coaxial, Right Angle Plug, Crimp, RG174, Beryllium Copper	MP-24-08L-5-TGG

Dimensions : Millimetres (Inches)

Important Notice : This data sheet and its contents (the "Information") belong to the members of the AVNET group of companies (the "Group") or are licensed to it. No licence is granted for the use of it other than for information purposes in connection with the products to which it relates. No licence of any intellectual property rights is granted. The Information is subject to change without notice and replaces all data sheets previously supplied. The Information supplied is believed to be accurate but the Group assumes no responsibility for its accuracy or completeness, any error in or omission from it or for any use made of it. Users of this data sheet should check for themselves the Information and the suitability of the products for their purpose and not make any assumptions based on information included or omitted. Liability for loss or damage resulting from any reliance on the Information or use of it (including liability resulting from negligence or where the Group was aware of the possibility of such loss or damage arising) is excluded. This will not operate to limit or restrict the Group's liability for death or personal injury resulting from its negligence. Multicomp Pro is the registered trademark of Premier Farnell Limited 2019.

Newark.com/multicomp-pro
Farnell.com/multicomp-pro
Element14.com/multicomp-pro

multicomp^{PRO}