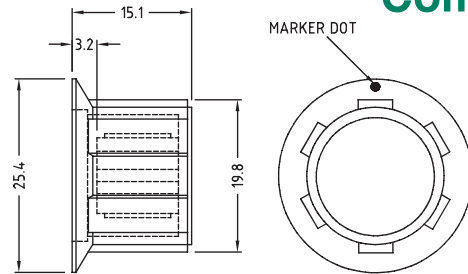




Diagram



**RoHS
Compliant**

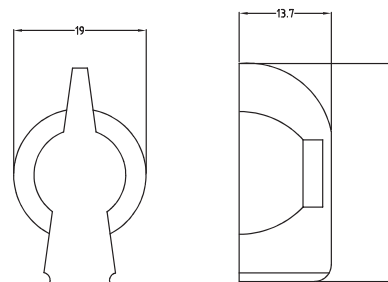
Dimensions : Millimetres

Part Number Table

Description	Part Number
Knob, Black, 1/4" Push Fix	MP1600
Knob, Black, 6mm Splined with Marker Dot	MP1601
Knob, Black, 1/4" Screw Fix with Marker Dot	MP1610
Knob, Black, 6mm Screw Fix with Marker Dot	MP1611
Knob, Black, 1/4" Screw Fix with Marker Dot, Satin Cap	MP1616
Knob, Black, 6mm Screw Fix, Satin Cap	MP1622



Diagram



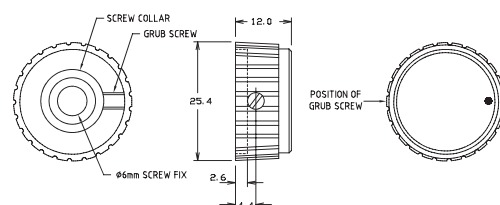
Dimensions : Millimetres

Part Number Table

Description	Part Number
Knob, Black, 1/4" Screw Fix with Black Marker Line	MP1658
Knob, Black, 1/4" Screw Fix with White Marker Line	MP1662



Diagram



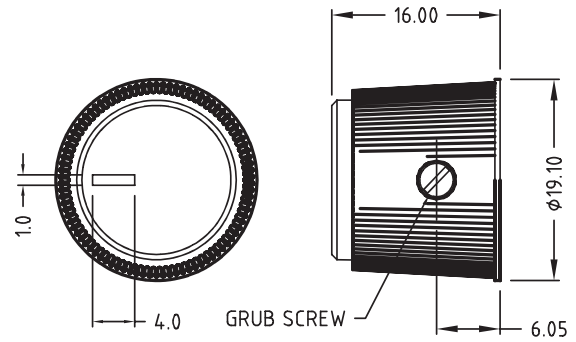
Dimensions : Millimetres

Part Number Table

Description	Part Number
Knob, Black, 6mm Screw Fix, Aluminium Cap with Marker Dot	MP16782



Diagram



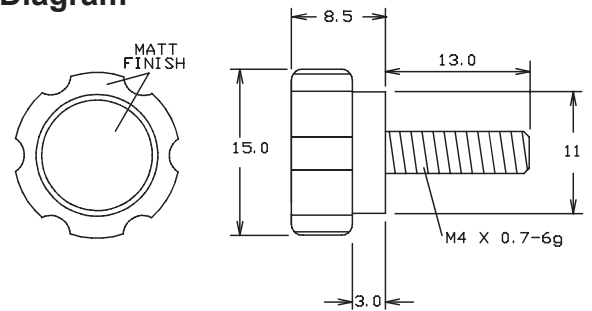
Part Number Table

Description	Part Number
Knob, Black, 6mm Splined, Black Cap with White Marker line	MP16924
Knob, Black, 6mm Screw Fix, Silver Cap with Black Marker Line	MP6199

Dimensions : Millimetres



Diagram



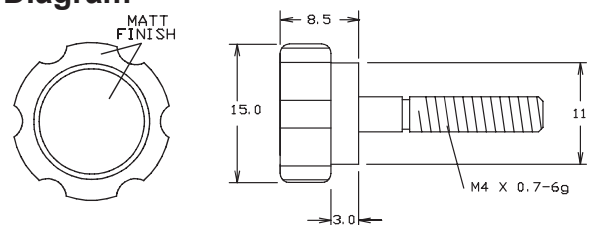
Part Number Table

Description	Part Number
Knob, Black, M4 Thread, 13mm Long	MP1729101A

Dimensions : Millimetres



Diagram



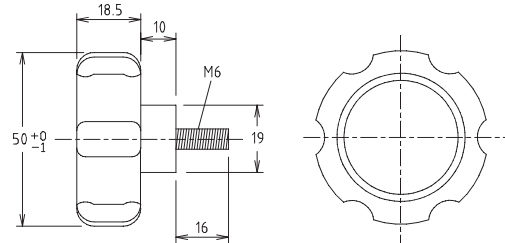
Part Number Table

Description	Part Number
Knob, Black, M4 Thread, 20mm Long with Groove	MP172912A

Dimensions : Millimetres



Diagram



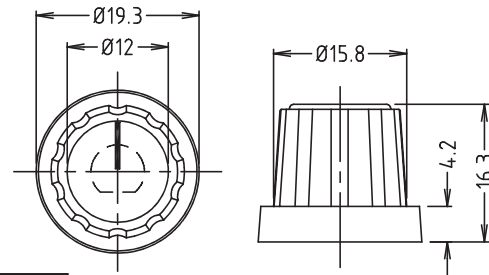
Dimensions : Millimetres

Part Number Table

Description	Part Number
Knob, Black, M6 Thread, 16mm Long	MP1729182B



Diagram



Dimensions : Millimetres

Part Number Table

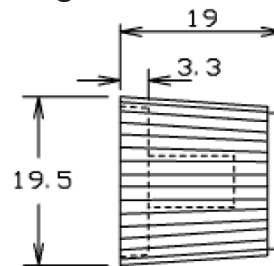
Description	Part Number
Black Knob with Black Cap and Marker Line, 1/4" D	MP3450
Black Knob with Black Cap and Marker Line, 6mm Spline	MP3480



Description

This model has a separate push in cap which comes in eight colours. The knob and cap can be plain or with a line.

Diagram



Dimensions : Millimetres

Part Number Table

Description	Part Number
Knob, Black, 6mm Splined, Black	MP172851
Cap, Black with Marker Line	MP177702

Important Notice : This data sheet and its contents (the "Information") belong to the members of the AVNET group of companies (the "Group") or are licensed to it. No licence is granted for the use of it other than for information purposes in connection with the products to which it relates. No licence of any intellectual property rights is granted. The Information is subject to change without notice and replaces all data sheets previously supplied. The Information supplied is believed to be accurate but the Group assumes no responsibility for its accuracy or completeness, any error in or omission from it or for any use made of it. Users of this data sheet should check for themselves the Information and the suitability of the products for their purpose and not make any assumptions based on information included or omitted. Liability for loss or damage resulting from any reliance on the Information or use of it (including liability resulting from negligence or where the Group was aware of the possibility of such loss or damage arising) is excluded. This will not operate to limit or restrict the Group's liability for death or personal injury resulting from its negligence. Multicomp Pro is the registered trademark of Premier Farnell Limited 2019.