

Touch Proof Terminal Binding Post

Single, 30A

multicomp PRO

**RoHS
Compliant**



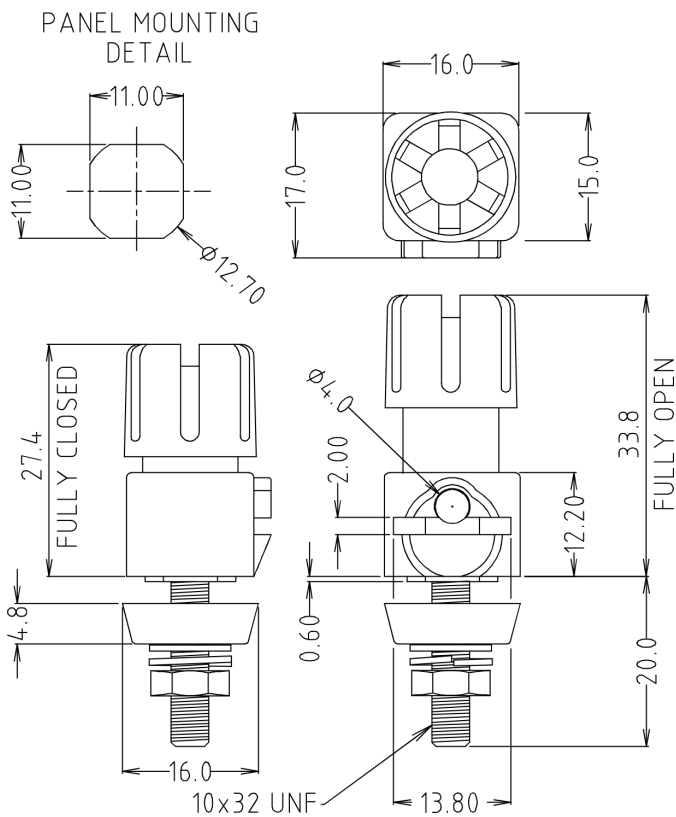
MP300255



MP300405

Specification

Contact Resistance	: Nickel <30mΩ
Maximum Current	: 30A
Flammability	: Minimum UL 94HB
Temperature Rating	: -20°C to +80°C



Dimensions : Millimetres

Part Number Table

Description	Part Number
Terminal Binding Post, 30A, Black Assembled	MP15941A
Terminal Binding Post, 30A, Red Assembled	MP15942A

Important Notice : This data sheet and its contents (the "Information") belong to the members of the AVNET group of companies (the "Group") or are licensed to it. No licence is granted for the use of it other than for information purposes in connection with the products to which it relates. No licence of any intellectual property rights is granted. The Information is subject to change without notice and replaces all data sheets previously supplied. The Information supplied is believed to be accurate but the Group assumes no responsibility for its accuracy or completeness, any error in or omission from it or for any use made of it. Users of this data sheet should check for themselves the Information and the suitability of the products for their purpose and not make any assumptions based on information included or omitted. Liability for loss or damage resulting from any reliance on the Information or use of it (including liability resulting from negligence or where the Group was aware of the possibility of such loss or damage arising) is excluded. This will not operate to limit or restrict the Group's liability for death or personal injury resulting from its negligence. DURATOOL is the registered trademark of Premier Farnell Limited 2019.

Newark.com/multicomp-pro
Farnell.com/multicomp-pro
Element14.com/multicomp-pro

multicomp PRO