

Pi-Box Pro 4 and Rack Fronts for Raspberry Pi4

multicomp PRO



MP004561



MP004562

Description

The Pi-Box Pro 4 is a rugged industrial enclosure kit for the Raspberry Pi4. By utilising our Micro HDMI Pi4 extender board we can turn the power and Micro HDMI connectors through 90° so they are on the same plane as the Ethernet and USB connectors.

The rear panel is made from 3mm acrylic and allows for communication via Bluetooth and Wi-Fi signals from the Pi4.

The standard version allows for access to the SD Card from the assembled enclosure.

Available in silver or black as standard.

The Pi-Box Pro 4 with heatsink kit comes with:

- Extender Board
- Carrier Plate
- E-Case B Extrusion
- Aluminium End Plate
- Acrylic End Plate (For WiFi & Bluetooth)
- Screws & Fixings
- Pi-Box Pro 4 heatsink kit also includes: Heat Blocks, Heat Transfer Pads & Screws

Heatsink

With the release of the Raspberry Pi4 the temperature of the processor under 100% usage has become an issue. When the processor gets too hot it throttles back which could compromise the application that the Pi is being used to perform.

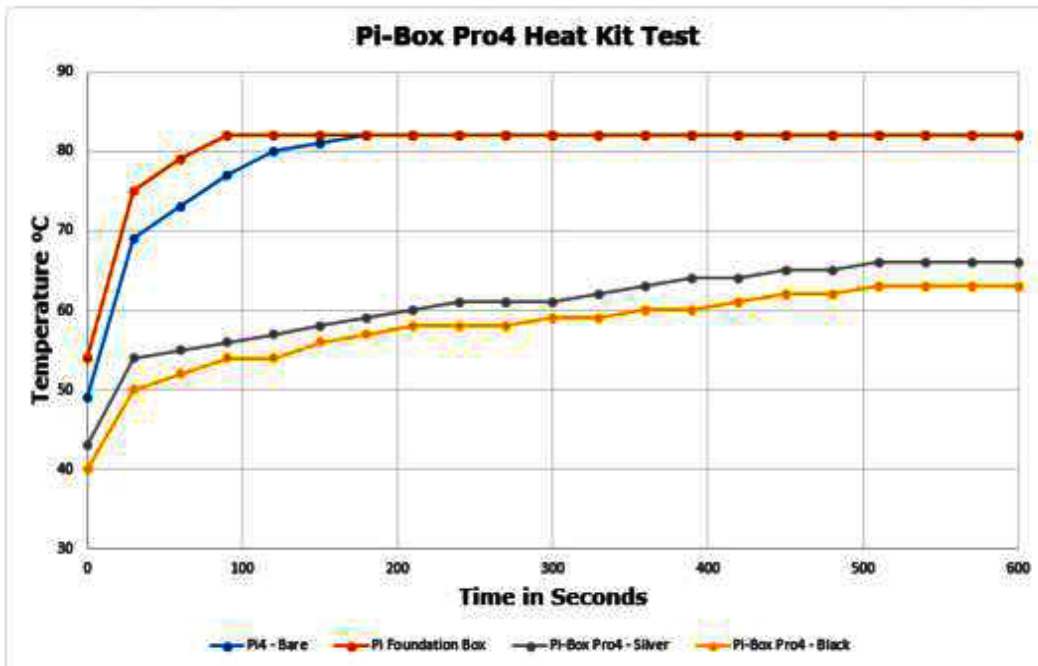
As a solution we have developed a Heat Sinking Kit that consists of 2 aluminium blocks and adhesive pads that transfer the heat from the processor and the Ram chip to the aluminium carrier plate and then out to the enclosure, making the whole assembly a heat sink.

Temperature Test bench Test

We tested the Raspberry Pi4 running at 100% over a 10-minute period to register the temperature rise of the processor. The tests were performed with a bare board, one housed in a Raspberry Pi Foundation plastic enclosure, one in a Pi-Box Pro 4 silver housing and one in a Pi-Box Pro 4 black housing.

We saw a 19°C drop in operating temperature from 82°C in the bare board and plastic enclosure compared with the 63°C when housed in the Pi-Box Pro 4 aluminium enclosure and heat kit.

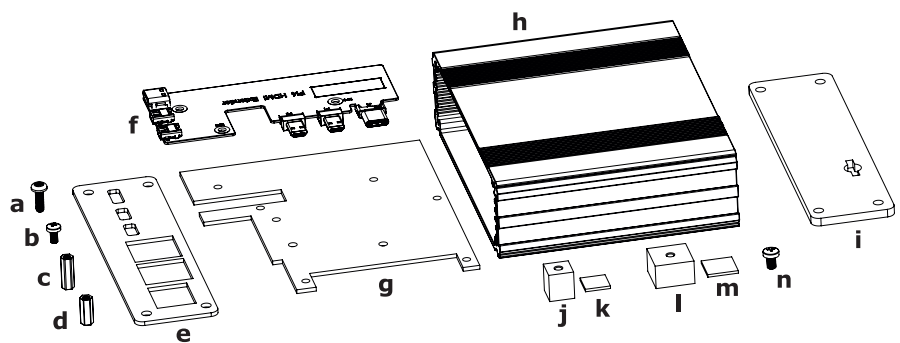
Pi-Box Pro 4 and Rack Fronts for Raspberry Pi4



Assembly Instructions - Pi-Box Pro 4

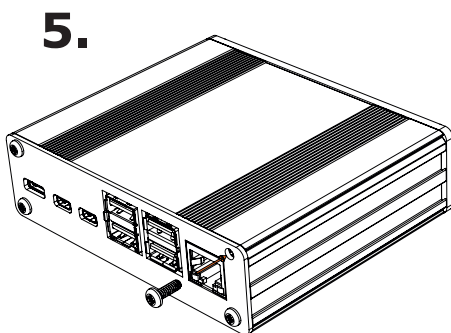
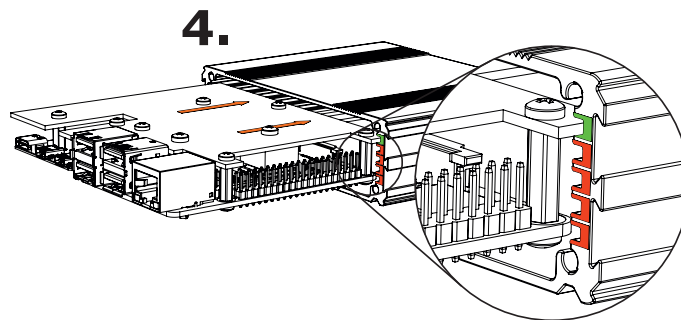
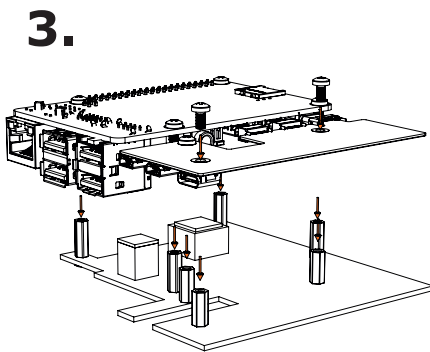
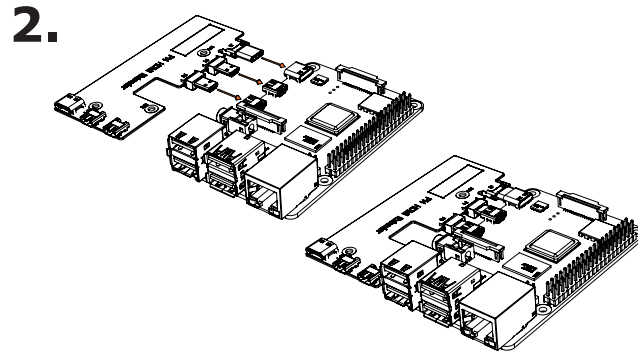
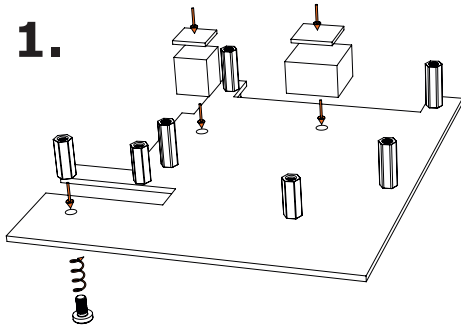
Kit Contains

No.	Description	Qty.
(a)	M3x10 Taptite Screws	8
(b)	M2.5x5 Screws	14
(c)	12mm Standoffs	4
(d)	8mm Standoffs	3
(e)	Aluminium End Plate	1
(f)	HDMI Extender PCB	
(g)	Aluminium Carrier Plate	
(h)	Aluminium Extrusion	
(l)	Acrylic End Plate	
(j)	Small Heat Block	
(k)	Small Heat Pad	
(l)	Large Heat Block	
(m)	Large Heat Pad	
(n)	M3x5 Screws	



Pi-Box Pro 4 and Rack Fronts for Raspberry Pi4

multicomp PRO



1. Take carrier plate (g) & attach standoffs (c) & (d) with screws (b). Attach small heat block (j) and large heat block (l) to carrier plate (g) with screws (n) as shown. Peel backing paper from small heat pad (k) & stick to small heat block (j). Do the same for large heat pad (m) & large heat block (l). Now remove remaining backing paper.
2. Plug extender board (f) into the HDMI & USB connectors on the Raspberry Pi board.
3. Place Raspberry Pi & extender on carrier plate assembly & secure with screws (b) as shown.
4. Turn board assembly over so carrier plate is on top & slide into top slot of extrusion (h) as shown.
5. Attach aluminium (e) & acrylic (i) end plates to extrusion (h) with screws (a).

Newark.com/multicomp-pro
Farnell.com/multicomp-pro
Element14.com/multicomp-pro

multicomp PRO

Pi-Box Pro 4 and Rack Fronts for Raspberry Pi4

multicomp PRO

Rack Fronts



Description

- A 1U 19" extruded aluminium rack panel milled to fit a removable PI-Box Pro 4 unit(s).
- Available in 1, 2 or 3 unit versions.
- Panels are available in black anodise with a brushed finish.
- PI-Box Pro 4 units include a Heatsink Kit and Extender Board to align the power and micro HDMI connectors onto the same plane as the Ethernet and USB connectors.

Extrusion

Material : Aluminium 6063 T6 (HE9)
Finish : Silver anodised 5µm or black anodised 10µm

Front End Plate

Material : Aluminium 5005 sheet
Finish : Black anodised 10µm
Thickness : 1.5mm

Rear End Plate

Material : Acrylic
Finish : Black
Thickness : 3mm

Features

- 1, 2 or 3 units wide
- Removable units
- Black anodised with brushed finish

Part Number Table

Description	Part Number
Pi-Box Pro 4 with Heatsink kit, RPI4, Silver	MP004561
Pi-Box Pro 4 with Heatsink kit, RPI4, Black	MP004562
1U 19" Rack Panel, Black, 1 × Cutout + 1 × PI-Box Pro 4	MP007511
1U 19" Rack Panel, Black, 2 × Cutout + 2 × PI-Box Pro 4	MP007512
1U 19" Rack Panel, Black, 3 × Cutout + 3 × PI-Box Pro 4	MP007513

Important Notice : This data sheet and its contents (the "Information") belong to the members of the AVNET group of companies (the "Group") or are licensed to it. No licence is granted for the use of it other than for information purposes in connection with the products to which it relates. No licence of any intellectual property rights is granted. The Information is subject to change without notice and replaces all data sheets previously supplied. The Information supplied is believed to be accurate but the Group assumes no responsibility for its accuracy or completeness, any error in or omission from it or for any use made of it. Users of this data sheet should check for themselves the Information and the suitability of the products for their purpose and not make any assumptions based on information included or omitted. Liability for loss or damage resulting from any reliance on the Information or use of it (including liability resulting from negligence or where the Group was aware of the possibility of such loss or damage arising) is excluded. This will not operate to limit or restrict the Group's liability for death or personal injury resulting from its negligence. Multicomp Pro is the registered trademark of Premier Farnell Limited 2019.

Newark.com/multicomp-pro
Farnell.com/multicomp-pro
Element14.com/multicomp-pro

multicomp PRO