

**RoHS
Compliant**



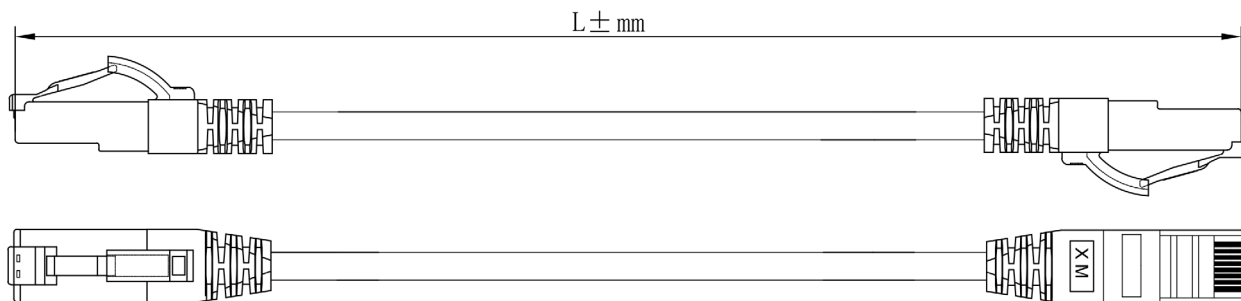
Description

The cheap solution for data transfer rates of up to 10 Gbit/s and a bandwidth of 500MHz. Patch cable for networking connections between devices. Prepared shielded Twisted Pair cable (PiMF) with RJ-45 connectors on both ends. Durable due to moulded kink protection. Flexible cable, suitable for narrow bending. Impedance: 100Ω. Contact settings 1:1, in accordance with the EIA/TIA 568 standard. Construction: 8 lines, pairs shielded with aluminium foil, complete braided shielding.

Specifications

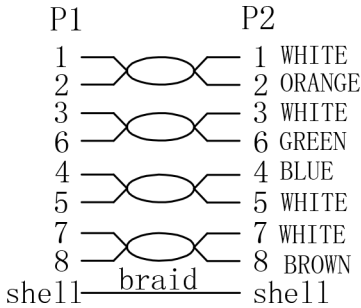
Product group	: Twisted Pair Cable
Cable Jacket Material	: PVC
Product type	: S/FTP Patchcord
Colour	: Grey
Shield type	: SFTP
Transfer quality	: Cat6A / Class EA
Quantity of wires	: 8
Conductor type	: Wire
Crossed	: No
Colour (Spout)	: Grey
Connector Type RJ45	: Standard

Diagram



Dimensions : Millimetres

Wiring Diagram 568B



Note:

1. Electrical Test:
 - (1). 100% Open Short, Miss Wire Test
 - (2). Insulation Resistance : DC 300V 10mΩ
 - (3). Conductor Resistance : 3Ω max (More than 3m, add 1Ω per meter);
2. Fluke Channel Link Test:

Test Limit : ISO11801 Channel Class Ea
3. Print Word:

Cat. 6A S/FTP LSZH 500MHz ISO/IEC 11801 & EN 50173-1 & ANSI/TIA-568-C.2
4. Minimum of the bending radius is 50mm
(Suitable For All Meters)

Part Number Table

Description	Part Number
RJ45 Patch Cord, Cat6a, S/FTP, Grey, 0.5m	MP001962
RJ45 Patch Cord, Cat6a, S/FTP, Grey, 1m	MP001963
RJ45 Patch Cord, Cat6a, S/FTP, Grey, 2m	MP001964
RJ45 Patch Cord, Cat6a, S/FTP, Grey, 3m	MP001965
RJ45 Patch Cord, Cat6a, S/FTP, Grey, 5m	MP001966

Important Notice : This data sheet and its contents (the "Information") belong to the members of the AVNET group of companies (the "Group") or are licensed to it. No licence is granted for the use of it other than for information purposes in connection with the products to which it relates. No licence of any intellectual property rights is granted. The Information is subject to change without notice and replaces all data sheets previously supplied. The Information supplied is believed to be accurate but the Group assumes no responsibility for its accuracy or completeness, any error in or omission from it or for any use made of it. Users of this data sheet should check for themselves the Information and the suitability of the products for their purpose and not make any assumptions based on information included or omitted. Liability for loss or damage resulting from any reliance on the Information or use of it (including liability resulting from negligence or where the Group was aware of the possibility of such loss or damage arising) is excluded. This will not operate to limit or restrict the Group's liability for death or personal injury resulting from its negligence. Multicomp Pro is the registered trademark of Premier Farnell Limited 2019.