

Type MOCB2-S Modified Reset Circuit Breaker Automotive Type II Stud Type



www.optifuse.com (619) 593-5050

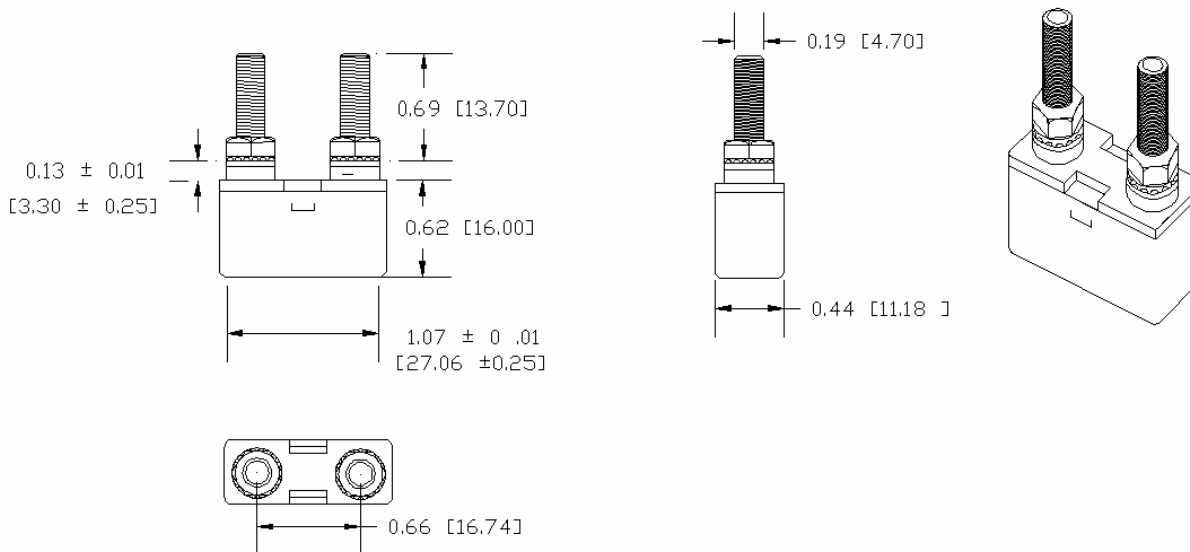
Specifications:

- Modified Reset Type Circuit Breaker. Modified reset circuit breakers are devices that are opened by over-current and remain open as long as the power is on to the affected circuit or until load is removed.
- Conforms to American National Standard SAE J553
- Body: Metal
- Voltage: 12 VDC
- Amperage: 10A, 15A, 20A, 25A, 30A, 35A, 40A

Current Rating:

Rating	Open Time
100% ± 1.5%	> 30 Min
135% ± 1.5%	< 30 Min
200% ± 1.5%	< 1 Min

Mechanical Dimensions: Inches [mm]



Warning:



- Operation beyond the specified maximum ratings or improper use may result in damage and possible electrical arcing and/or flame.
- Device is intended for occasional overcurrent protection. Application for repeated overcurrent condition and/or prolonged trip are not anticipated.
- Avoid contact of device with chemical solvent. Prolonged contact may damage the device performance.