

# Type MOCB2-PCL Modified Reset Circuit Breaker Automotive Type II Fuse Clip Type



www.optifuse.com (619) 593-5050

## Specifications:

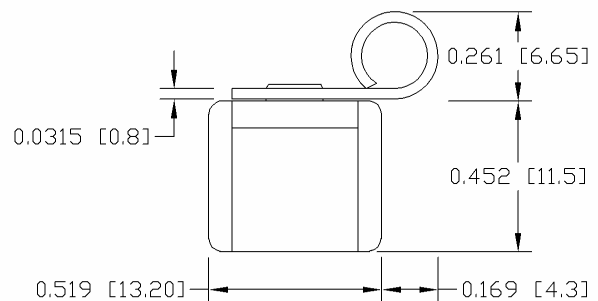
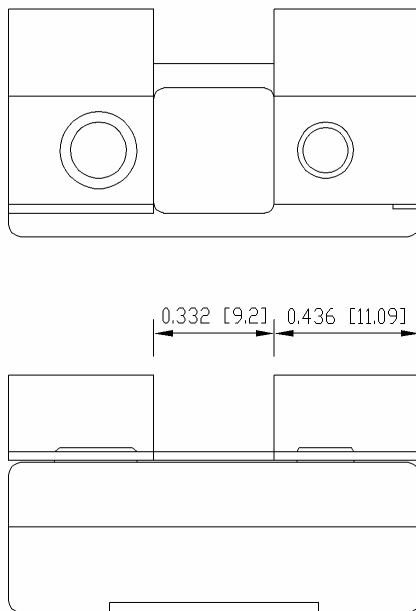
- Modified Reset Type Circuit Breaker. Modified reset circuit breakers are devices that are opened by over-current and remain open as long as the power is on to the affected circuit or until the load is removed.
- Conform to American National Standard SAE J553
- Body: Plastic
- Voltage: 12 VDC
- Amperage: 10A, 15A, 20A, 25A, 30A, 35A, 40A
- Fits both 1/4" and 7/8" Fuse Clips

## Current Rating:

| Rating      | Open Time |
|-------------|-----------|
| 100% ± 1.5% | > 30 min  |
| 135% ± 1.5% | < 30 min  |
| 200% ± 1.5% | < 1 min   |

- Packing: 100pc/inner box  
1000pc/14kg/16kg/0.63'  
available in Box or Blister Card

## Mechanical Dimensions: Inches [mm]



|  |  |
|--|--|
|  | <b>Warning:</b> -Operation beyond the specified maximum ratings or improper use may result in damage and possible electrical arcing and/or flame.        |
|  | -Devices are intended for occasional over current protection. Application for repeated over current condition and/or prolonged trip are not anticipated. |
|  | -Avoid contact of device with chemical solvent. Prolonged contact may damage the device performance.   |