

Type MOCB-12-H / MOCB-24-H Modified Reset Circuit Breaker Automotive Type II Metal With Horizontal Bracket



www.optifuse.com

(619) 593-5050

Specifications:

Modified Reset Type Circuit Breaker. Modified reset circuit breakers are devices that are opened by over-current and remain open as long as the power is on to the affected circuit or until load is removed.

Voltage: 12V or 24V

Amperage: 10A, 15A, 20A, 25A, 30A, 35A, 40A, 50A

Terminals: Battery – Copper Plate (0.58”), Auxiliary – Zinc Plate (0.66”)

Conforms to American National Standard SAE J553

Cover Material: Metal

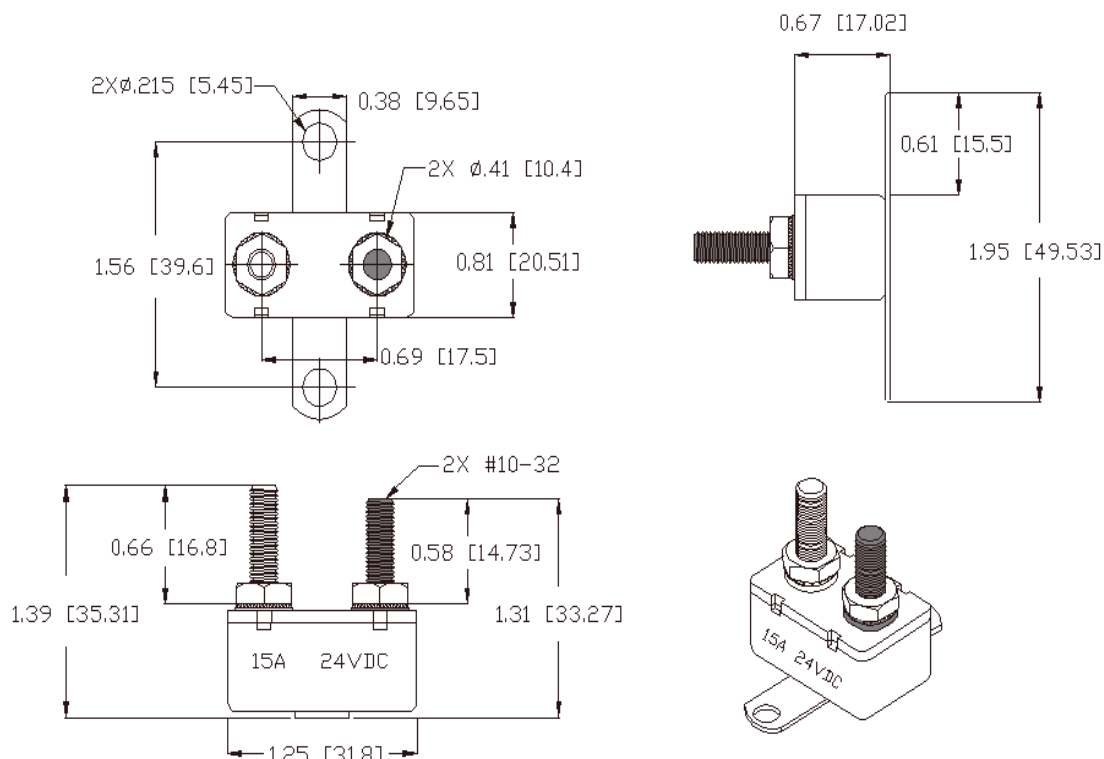
Operating Temperature: -10° F ~ 150° F

Storage Temperature: -20° F ~ 200° F

Current Rating:

Rating	Open Time
100% ± 1.5%	> 30 Min
135% ± 1.5%	< 30 Min
200% ± 1.5%	< 1 Min

Mechanical Dimensions: Inches [mm]



	Warning: -Operation beyond the specified maximum ratings or improper use may result in damage and possible electrical arcing and/or flame.
	-Device are intended for occasional overcurrent protection. Application for repeated overcurrent condition and/or prolonged trip are not anticipated.
	-Avoid contact of device with chemical solvent. Prolonged contact will damage the device performance.

Note: All specifications subject to change without notice.

Rev C 07/2012 - Page: 1/1
Code Y01-02D