

AC Current Probe Model MN02



The MN02 is a small, compact AC current probe. Designed to meet the most stringent demands in industry and electrical contracting, they also meet the latest safety and performance standards.

The probe has a measurement range up to 100Arms which makes it a perfect tool for measurement with DMMs and recorders.

The Model MN02 is compatible with any AC ammeter, multimeter, or other current measurement instrument with an input impedance lower than 10Ω . To achieve the stated accuracy, use the probe with an ammeter having an accuracy of 0.75% or better.

Features

- Small, compact size
- Measurement ranges of 50mA to 100A (1Ω load)
50mA to 90A (10Ω load)
- Jaw opening accommodates conductors up to 0.39" diameter
- Designed for DMMs, loggers, recorders and oscilloscopes
- 48 to 10,000Hz frequency range
- 1mA/A from 1Ω to 10Ω output signals
- Designed to EN61326-1, 300V CAT IV, 600V CAT III safety standard
- Double Insulation
- CE Mark

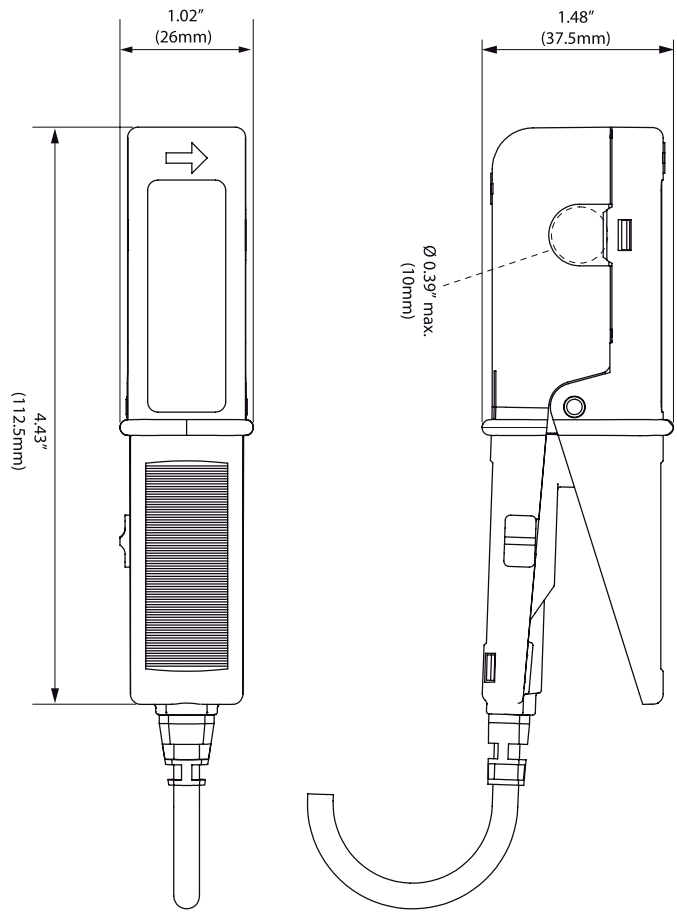
Applications

- Measuring in breaker panels
- Industrial loads
- HVAC
- Residential and commercial sites
- Data logging/recording
- General AC current measurements

Specifications

MODEL	MN02
ELECTRICAL	
Range	100A
Measurement Range	50mA to 100A (1Ω load) 50mA to 90A (10Ω load)
Accuracy in %	≤ 1% Reading ± 0.02A (1Ω load) ≤ 1.5% Reading ± 0.01A (10Ω load)
Phase Shift	Not specified
Output Signal	1mA/A from 1Ω to 10Ω
Load Impedance	≤10Ω
Maximum Currents	1 < 150A permanent from 48Hz to 500Hz
Influence of Temperature	≤ 0.2% per 10°K
Influence of Adjacent Conductor	≤ 2mA/A at 50Hz
Influence of Adjacent Conductor Position in Jaws	≤ 0.1% at 50/60Hz
Influence of Frequency	≤ 2% from 65Hz to 500Hz
Maximum Output Voltage (secondary open)	≤ 30V
MECHANICAL	
Operating Temperature	14° to 122°F (-10° to +50°C)
Storage Temperature	-40° to 176°F (-40° to +80°C)
Operating Relative Humidity	0 to 85% RH decreasing linearly above 35°C
Operating Altitude	0 to 2000m
Casing Protection Rating (weatherproofing)	IP 40 (IEC 529)
Drop	4.92 ft (1.5m) (IEC 68-2-32)
Shock Protection	3.52 oz (100g)/6ms/half-period (IEC 68-2-27)
Self-extinguishing Capability	casing UL94 V2
Vibration Resistance	IEC 68-2-6
Dimensions	4.43 x 1.48 x 1.02" (112.5 x 37.5 x 26mm)
Weight	6.5 oz (180g)
SAFETY	
Electrical	EN61326-1, 300V CAT IV, 600V CAT III, Pollution Degree 2
Double Insulation <input type="checkbox"/>	Yes
CE Mark	Yes

(1) Conditions of reference: 18°C to 28°C, 20 to 75% RH, external magnetic field <40 A/m, 48 to 65 Hz sine wave, distortion factor less than 1%, no DC component, no external current carrying conductor, test sample centered. Load impedance 1Ω or 10Ω.



Safety Leads:
 Double/reinforced insulated 5 ft (1.5m) lead with 4mm safety banana plug

ORDERING INFORMATION	CATALOG NO.
AC Current Probe Model MN02 (100A, 1mA/A, Lead, 1% Accuracy).....	Cat. #2129.20
Includes a user manual	
Accessories (Optional)	
Adapter - 4mm Non-insulated for Safety Leads.....	Cat. #1017.45