

## Data sheet

PC board jack M12, A-coded, 2-pole, IP67,  
in unmated condition, potted

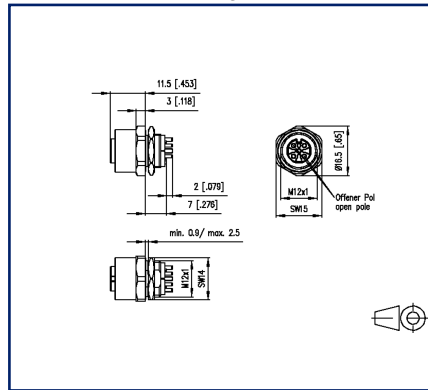
Page 1/4

P/N  
MMT361A915-0009  
EAN 4251394632001  
2021/09/15  
Version: E

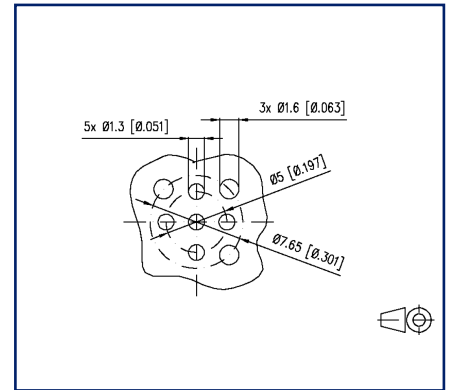
### Illustrations



Dimensional drawing



Cut-out



See enlarged drawings at the end of document

### Product specification

- PC board jack M12
- Front wall mounting
- 2-pole, A-coded according to IEC 61076-2-101
- THR solderable
- Top entry
- Contact carriers black
- IP67 in unmated condition
- suitable for applications in the railway industry

**PC board jack M12, A-coded, 2-pole, IP67,  
in unmated condition, potted**

P/N  
MMT361A915-0009  
EAN 4251394632001  
2021/09/15  
Version: E

**Technical Data**

**General Data**

Dimensions	
Dimension (D x H)	Ø 16.5 mm x 20.5 mm
Dimension (D x H)	0.65 in. x 0.807 in.
Ports	Single port
Solderability	Acc. to IPC/JEDEC J-STD-020E-MSL 1
Coding	A-coded

**Electrical characteristics**

Rated voltage	250 V
Current carrying capacity at 40 °C	4 A
Insulation resistance	min. 100 MOhm
Overvoltage category	II
Degree of pollution	2

**Mechanical data**

Material	
Material - Housing	CuZnPb
Material - Contact	CuZnPb
Contact surface	Ni + Au
Material - Insulating body	LCP UL94 V0
Color	black
RoHS	compliant
Life - Number of mating cycles	>= 100
Tightening torque - Plug	0,6 - 1 Nm
Tightening torque - Jack mounting	3 Nm +/- 0,5 Nm
Protection category	IP 67

**Climatic properties**

Temperature - Operating °C	-25 °C
Temperature - Operating °C	85 °C
Temperature - Operating °F	-13 °F
Temperature - Operating °F	185 °F

**The product meets the following standards**

Railway applications	
Electronic equipment used on rolling stock	according to DIN EN 50155
Fire protection on railway vehicles	according to DIN EN 45545-2

# U | Contact

Data sheet

Page 3/4

**PC board jack M12, A-coded, 2-pole, IP67,  
in unmated condition, potted**

P/N

**MMT361A915-0009**

**EAN 4251394632001**

2021/09/15

Version: E

## Technical Data

### Classifications

ETIM 7.0	EC002637
ETIM 8.0	EC002637



# U | Contact

Data sheet

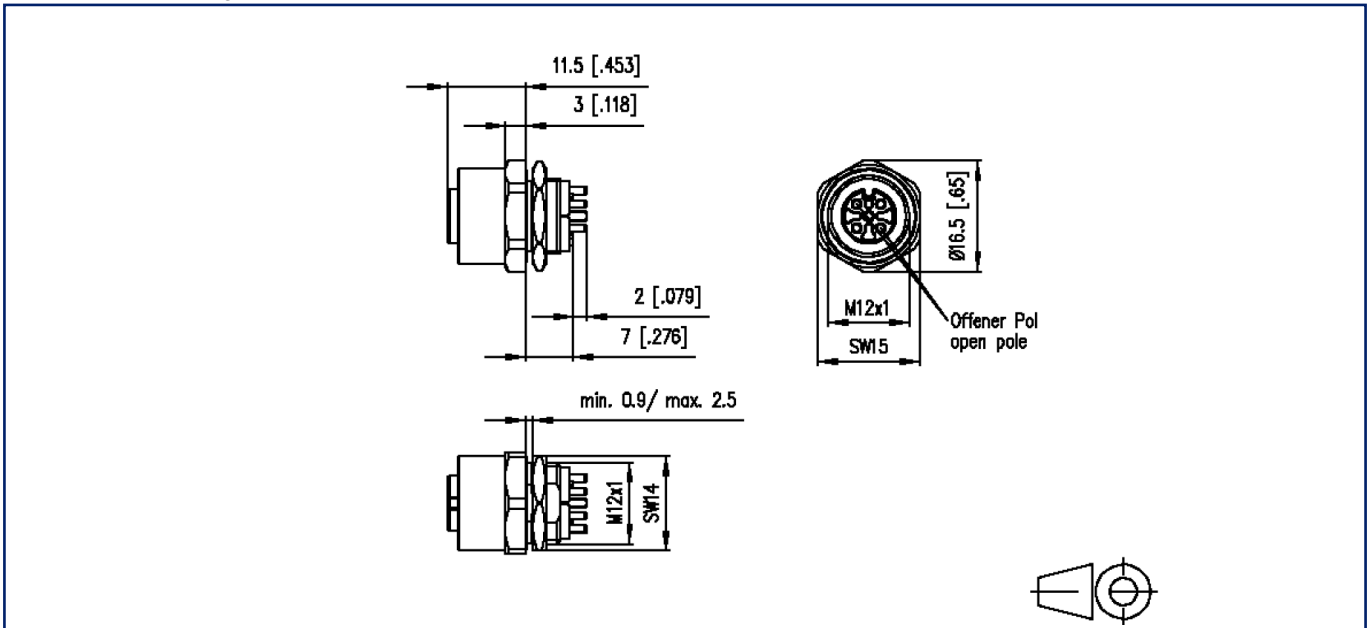
Page 4/4

**PC board jack M12, A-coded, 2-pole, IP67,  
in unmated condition, potted**

P/N  
**MMT361A915-0009**  
EAN 4251394632001  
2021/09/15  
Version: E

## Illustrations

Dimensional drawing



Cut-out

