

1-34 **TIMER ACCESSORIES**

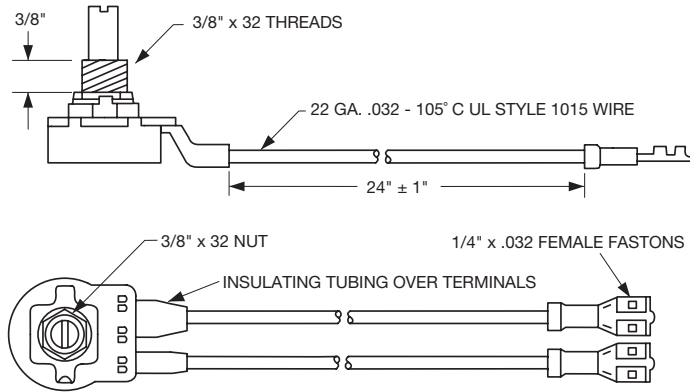
Potentiometer

NCC remote mounting potentiometers have 24" wire leads, dust protection, 1/4" shaft (no knob) and are calibrated to provide constant timing. These are suitable for mounting through a panel and can be used with a dial and knob.

A locking bushing is used in place of knob to secure setting. Not for use on K or CKK Series timers.

ORDERING INFORMATION

| | |
|-------------------------------|---------------|
| 1 Megohm remote potentiometer | ASY-0001M-450 |
| Locking bushing | MLO-K1701-011 |

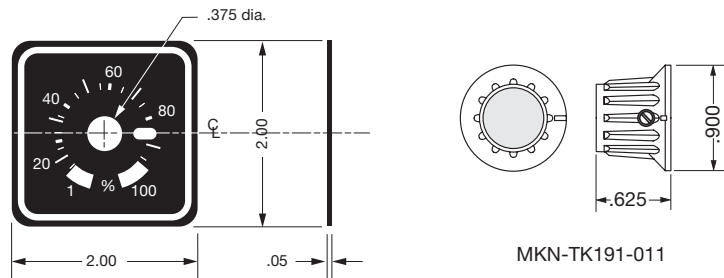


Dial Plate

Range 1 to 100% Dial Plate is shown, others shown in chart are typical.

ORDERING INFORMATION

| | |
|---|---------------|
| Dial Plate - Range: 1 to 100% | MDP-0100%-011 |
| Dial Plate - Range: .05 to 2 sec. | MDP-00002-011 |
| Dial Plate - Range: .05 to 5 sec. | MDP-00005-011 |
| Dial Plate - Range: .1 to 10 sec. | MDP-00010-011 |
| Dial Plate - Range: .3 to 30 sec. | MDP-00030-011 |
| Dial Plate - Range: .6 to 60 sec. | MDP-00060-011 |
| Dial Plate - Range: 1.2 to 120 sec. | MDP-00120-011 |
| Dial Plate - Range: 1.8 to 180 sec. | MDP-00180-011 |
| Dial Plate - Range: 3 to 300 sec. | MDP-00300-011 |
| Knob: 1" skirt, 1/4" hole, brass insert | MKN-TK191-011 |

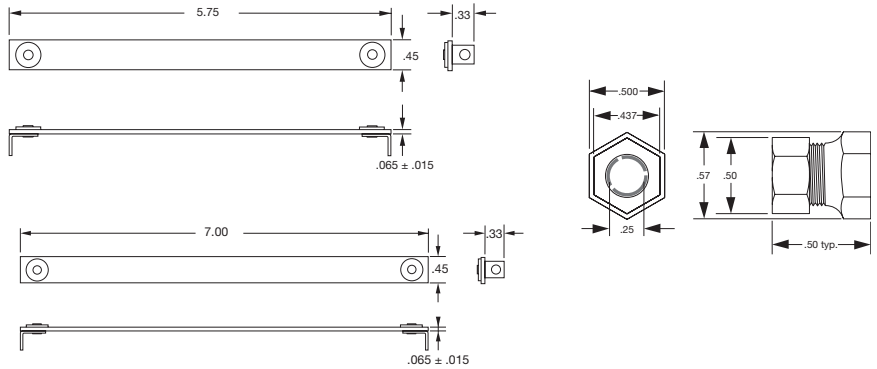


Hold-down Straps

A locking bushing is used in place of knob to secure setting. Used on all plug in timers with knobs except K and CKK Series.

ORDERING INFORMATION

| | |
|---|-----------------|
| Hold-down strap for K Series timers | ASY-STRAP-5.75L |
| Hold-down strap for T, S, A, and CKK timers | ASY-STRAP-7.00L |
| Locking bushing | MLO-010MM-.75 |



Mounting Bracket

ORDERING INFORMATION

| | |
|---|---------------|
| Mounting bracket for 1/16 DIN enclosure | MBK-1/16D-011 |
|---|---------------|

