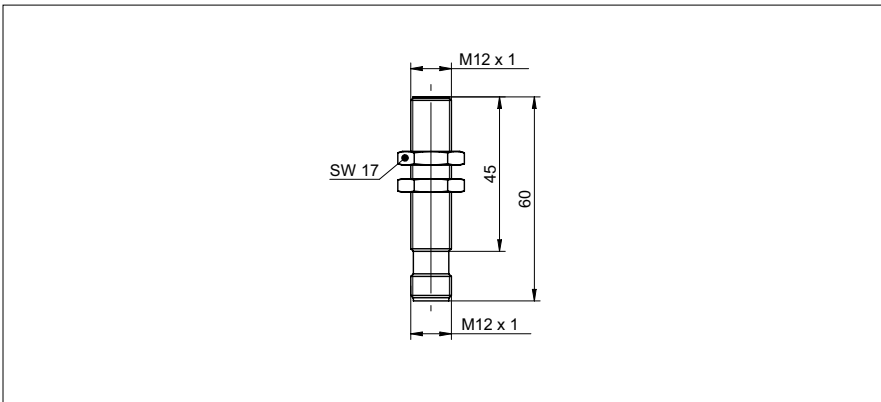


**Hall sensors**

**MHRM 12 (Sn = 1,8 mm)**

**sample drawing**



**general data**

sensor type	hall sensor
working distance max.	<0,7 mm (module 1), <2,4 mm (module 3)
min. gear size	> module 1
gear width	> 6 mm
gear material	ferromagnetic

**electrical data**

switching frequency range	0 ... 15 kHz
voltage supply range +Vs	8 ... 28 VDC
current consumption max. (no load)	20 mA
output A	push-pull
output B	none
output current	< 30 mA
voltage drop Vd	< 5 VDC
short circuit protection	yes
reverse polarity protection	yes, Vs to GND

**mechanical data**

type	cylindrical threaded
housing material	brass nickel plated
dimension	12 mm
material (sensing face)	PBTP

**ambient conditions**

operating temperature	-40 ... +85 °C
protection class (sensing face)	IP 67
protection class (sensor)	IP 67

order reference	housing length	connection types
<b>MHRM 12G5501</b>	50 mm	cable PUR, 2 m
<b>MHRM 12G5501/S14</b>	60 mm	connector

**sample picture**

