

NOsparc® DATA SHEET MGXDC1F250

PATENTS GRANTED AND PENDING

PRODUCT OVERVIEW

NOsparc® DC contact arc suppressors (DC power applications) protect the contact points of relays, contactors, or micro-switches, which extends their life and improves their overall performance along with the equipment these switches control.

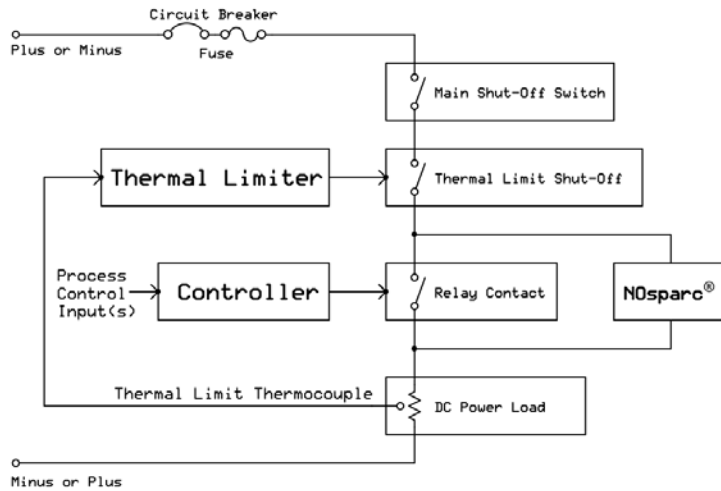
The NOsparc MGXDC1F250 arc suppressor is designed to suppress contact arcing from 12Vdc to 250Vdc. The NOsparc MGXDC1F250 arc suppressor connects across the contact terminals on existing products and equipment using only two wires.

Connect NOsparc DC arc suppressor across contacts only! NOsparc DC arc suppressors are effective even under mixed load conditions. NOsparc DC arc suppressors will support the following DC power load categories:

- General Purpose
- Resistive
- Capacitive
- Inductive
- Motor
- Tungsten

SYSTEM WIRING

For simplicity, only a single (one) DC contact shown



Please see our website for additional information and a full User's Manual: www.ArcSuppressionTechnologies.com

FEATURES	BENEFITS	FEATURES	BENEFITS
Extends Contact Life 10X or More	<ul style="list-style-type: none"> • Reduced maintenance, repair and replacement costs • Dramatic reduction in total cost of ownership 	Low Power	<ul style="list-style-type: none"> • Improves contact switching transition efficiency 20x
Small Footprint	<ul style="list-style-type: none"> • Easily adapted to existing infrastructure • Quick and simple panel mount retrofit process • Minimal impact to design due to size of the hardware solution 	Connects with 2 Wires	<ul style="list-style-type: none"> • No external power required • No special or complicated assembly requirements or associated connections to auxiliary equipment
Green	<ul style="list-style-type: none"> • RoHS compliant • Reduced carbon footprint and greenhouse gasses 	Lower EMI	<ul style="list-style-type: none"> • Average 30 dB reduction of EMI over 30MHz to 1GHz range

Automation · Automotive · Transportation

7900 INTERNATIONAL DRIVE, SUITE 300, BLOOMINGTON, MN 55425 // 612-928-5546 // www.ArcSuppressionTechnologies.com

© 2016. Information contained in this document is subject to change without notice. "NOsparc" is a registered trademark of Arc Suppression Technologies, LLC. All rights reserved.

