

T-1^{3/4} SUB-MINIATURE LAMP

Socket and Fresnel Lens

- Flange Base Socket for Model MF200

TO ORDER, FOLLOW THE EXAMPLE:

Select one BOLD component from each SHADED column in the tables below.

1 Socket		
MFS1-B		
1 Model	2 Lens Diffusion	3 Lens Color
MF61	-C	R

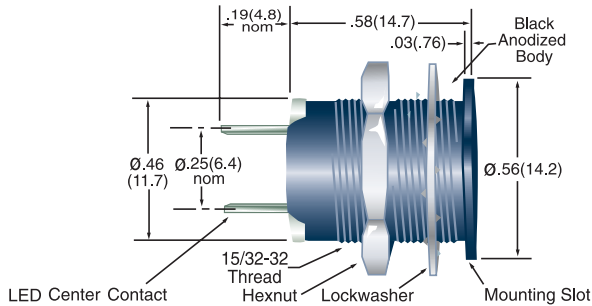
→ Part Number MFS1-B (Socket)
MF61-CR (Model MF61, Clear Red Lens)

SOCKET	
1 Part #	Description
MFS1-B ^[1]	For Use With Model MF200 and MF61 lens

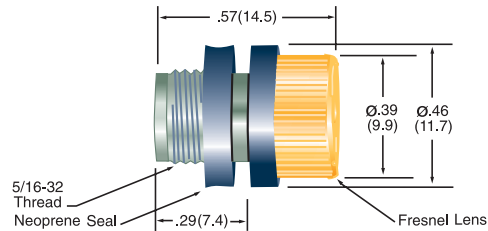
Lens (For Use With MFS1-B Socket)		
1 MODEL	2 Lens Diffusion	3 Lens Color
MF61	-C Clear	R Red
	-N Diffused	A Amber
		Y Yellow
		G Green
		B Blue
		W Water Clear
		-S ^[2] Smoke



MFS-1



MF61



[1] For Mounting Diameter .470" +/- .005"; Panel Thickness 1/16" to 5/16".

[2] Do not select a Diffusion Code (e.g. MF61-S).

All dimensions are in inches (mm)

Tolerances: .xx"(x) ±.025"(.63) / .xxx"(xx)±.010"(.25)

Specifications are subject to change without notice.