

Header

Side Entry, 5.08mm

multicomp PRO



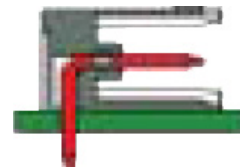
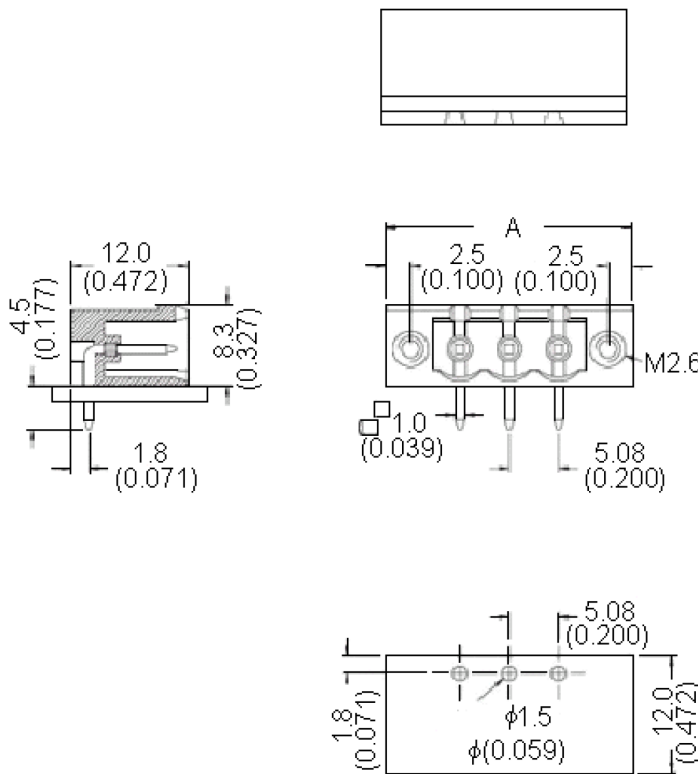
Specifications:

Connector Type : Terminal Block
 Series : ME050-5080
 Contact Termination : PCB
 Gender : Header
 Pitch Spacing : 5.08mm
 Colour : Green

Technical Data

Rated Voltage	CUL 300V AC	VDE 400V AC
Rated Current	16A	16A
Housing Material	Polyamide 6.6	-
Solder Pin	1mm, Brass, Tin Plated	-
Operating Temperature	-40°C to +105°C	-
PCB Hole Dia	Ø1.5	-

Diagram



Pitch : 5.08mm (0.2")

A	Part Number
20.3 (0.8)	ME050-508002
25.4 (1)	ME050-508003
30.5 (1.2)	ME050-508004
35.6 (1.4)	ME050-508005
40.6 (1.6)	ME050-508006
50.8 (2)	ME050-508008
61 (2.4)	ME050-508010
71.1 (2.8)	ME050-508012

Dimensions : Millimetres (Inches)

PCB Layout

Dimensions : Millimetres (Inches)

Newark.com/multicomp-pro
 Farnell.com/multicomp-pro
 Element14.com/multicomp-pro

multicomp PRO

Header

Side Entry, 5.08mm

multicomp PRO

Part Number Table

Description	Part Number
Header, Side Entry, 5.08mm, 2Way	ME050-508002
Header, Side Entry, 5.08mm, 3Way	ME050-508003
Header, Side Entry, 5.08mm, 4Way	ME050-508004
Header, Side Entry, 5.08mm, 5Way	ME050-508005
Header, Side Entry, 5.08mm, 6Way	ME050-508006
Header, Side Entry, 5.08mm, 8Way	ME050-508008
Header, Side Entry, 5.08mm, 10Way	ME050-508010
Header, Side Entry, 5.08mm, 12Way	ME050-508012

Important Notice : This data sheet and its contents (the "Information") belong to the members of the AVNET group of companies (the "Group") or are licensed to it. No licence is granted for the use of it other than for information purposes in connection with the products to which it relates. No licence of any intellectual property rights is granted. The Information is subject to change without notice and replaces all data sheets previously supplied. The Information supplied is believed to be accurate but the Group assumes no responsibility for its accuracy or completeness, any error in or omission from it or for any use made of it. Users of this data sheet should check for themselves the Information and the suitability of the products for their purpose and not make any assumptions based on information included or omitted. Liability for loss or damage resulting from any reliance on the Information or use of it (including liability resulting from negligence or where the Group was aware of the possibility of such loss or damage arising) is excluded. This will not operate to limit or restrict the Group's liability for death or personal injury resulting from its negligence. Multicomp Pro is the registered trademark of Premier Farnell Limited 2019.

Newark.com/multicomp-pro
Farnell.com/multicomp-pro
Element14.com/multicomp-pro

multicomp PRO