

Timer Accessories

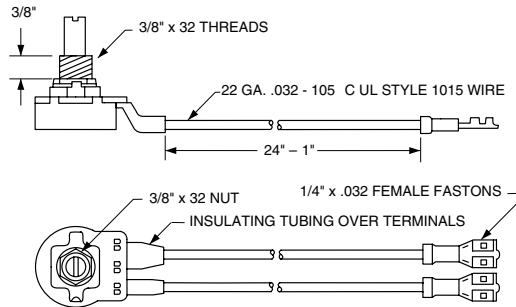
Ordering Information

Description	Part Number
1 Megohm Remote Potentiometer	ASY-0001M-450
Locking Bushing*	MLO-K1701-011

NCC remote mounting potentiometers have 24" wire leads, dust protection, 1/4" shaft (no knob) and are calibrated to provide constant timing. These are suitable for mounting through a panel and can be used with a dial and knob.

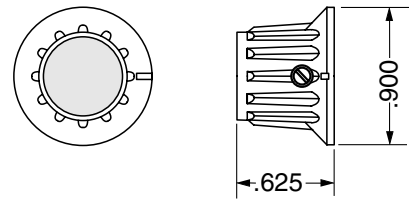
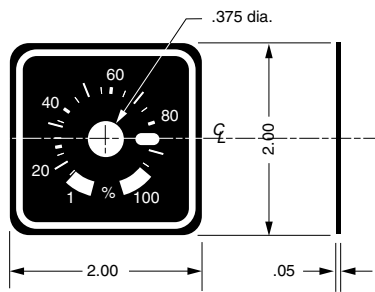
* Used in place of knob to secure setting.
Not for use on K, CKK, or T7K Series timers.

Dimensional Specifications



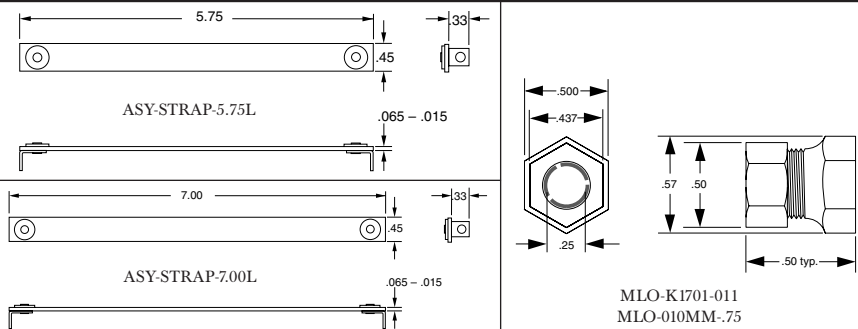
Description	Part Number
Dial Plate - Range: 1 to 100%*	MDP-0100%-011
Dial Plate - Range: .05 to 2 Seconds	MDP-00002-011
Dial Plate - Range: .05 to 5 Seconds	MDP-00005-011
Dial Plate - Range: .1 to 10 Seconds	MDP-00010-011
Dial Plate - Range: .3 to 30 Seconds	MDP-00030-011
Dial Plate - Range: .6 to 60 Seconds	MDP-00060-011
Dial Plate - Range: 1.2 to 120 Seconds	MDP-00120-011
Dial Plate - Range: 1.8 to 180 Seconds	MDP-00180-011
Dial Plate - Range: 3 to 300 Seconds	MDP-00300-011
Knob - 1" Skirt, 1/4" Hole, Brass Insert	MKN-TK191-011

* This Dial Plate is shown, others are typical

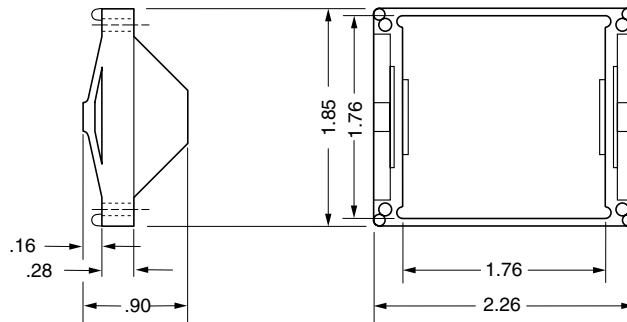


Description	Part Number
Hold-down Strap for K Series Timers	ASY-STRAP-5.75L
Hold-down Strap for T, S, A, & CKK Timers	ASY-STRAP-7.00L
Locking Bushing*	MLO-010MM-.75

Used in place of knob to secure setting.
Used on all plug in timers with knobs except K, CKK, or T7K Series.

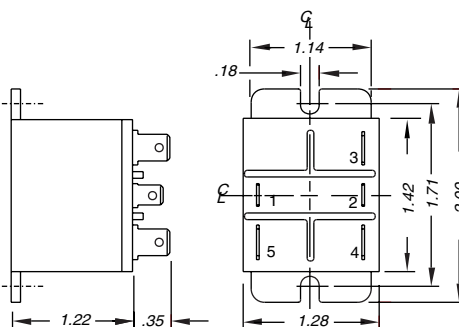


Description	Part Number
Mounting Bracket for 1/16 DIN Enclosure	MBK-1/16D-011



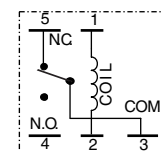
Description	Part Number
Utility 25 Amp S.P.S.T Relay	KSS-120AC-011

Contact Ratings:
Resistive Load (p.f.=1): 25 Amps @ 220VAC, 24 VDC
Inductive Load (p.f.=0.4): 20 Amps @ 220 VAC,
15 Amps @ 24 VDC



TERMINATIONS

CONTACTS: 1/4 x .032 MALE FAST-ON
COIL: 3/16 X .020 MALE FAST-ON



WIRING DIAGRAM
(3674)

1

Timer Accessories

Ordering Information		Dimensional Specifications									
<table border="1"> <thead> <tr> <th>Description</th> <th>Part Number</th> </tr> </thead> <tbody> <tr> <td>8 Pin Circular Socket, DIN Rail Mountable</td> <td>MSO-0008P-012</td> </tr> </tbody> </table>	Description	Part Number	8 Pin Circular Socket, DIN Rail Mountable	MSO-0008P-012	<table border="1"> <thead> <tr> <th>Description</th> <th>Part Number</th> </tr> </thead> <tbody> <tr> <td>8 Pin Circular Socket, DIN Rail Mountable</td> <td>MSO-0008P-012</td> </tr> </tbody> </table>	Description	Part Number	8 Pin Circular Socket, DIN Rail Mountable	MSO-0008P-012		
Description	Part Number										
8 Pin Circular Socket, DIN Rail Mountable	MSO-0008P-012										
Description	Part Number										
8 Pin Circular Socket, DIN Rail Mountable	MSO-0008P-012										
<table border="1"> <thead> <tr> <th>Description</th> <th>Part Number</th> </tr> </thead> <tbody> <tr> <td>11 Pin Circular Socket, DIN Rail Mountable</td> <td>MSO-0011P-012</td> </tr> </tbody> </table>	Description	Part Number	11 Pin Circular Socket, DIN Rail Mountable	MSO-0011P-012	<table border="1"> <thead> <tr> <th>Description</th> <th>Part Number</th> </tr> </thead> <tbody> <tr> <td>11 Pin Circular Socket, DIN Rail Mountable</td> <td>MSO-0011P-012</td> </tr> </tbody> </table>	Description	Part Number	11 Pin Circular Socket, DIN Rail Mountable	MSO-0011P-012		
Description	Part Number										
11 Pin Circular Socket, DIN Rail Mountable	MSO-0011P-012										
Description	Part Number										
11 Pin Circular Socket, DIN Rail Mountable	MSO-0011P-012										
<table border="1"> <thead> <tr> <th>Description</th> <th>Part Number</th> </tr> </thead> <tbody> <tr> <td>8 Pin Circular Socket for DIN Panel Mount</td> <td>MSO-0008P-014</td> </tr> </tbody> </table>	Description	Part Number	8 Pin Circular Socket for DIN Panel Mount	MSO-0008P-014	<table border="1"> <thead> <tr> <th>Description</th> <th>Part Number</th> </tr> </thead> <tbody> <tr> <td>8 Pin Circular Socket for DIN Panel Mount</td> <td>MSO-0008P-014</td> </tr> </tbody> </table>	Description	Part Number	8 Pin Circular Socket for DIN Panel Mount	MSO-0008P-014		
Description	Part Number										
8 Pin Circular Socket for DIN Panel Mount	MSO-0008P-014										
Description	Part Number										
8 Pin Circular Socket for DIN Panel Mount	MSO-0008P-014										
<table border="1"> <thead> <tr> <th>Description</th> <th>Part Number</th> </tr> </thead> <tbody> <tr> <td>11 Pin Circular Socket for DIN Panel Mount</td> <td>MSO-0011P-013</td> </tr> </tbody> </table>	Description	Part Number	11 Pin Circular Socket for DIN Panel Mount	MSO-0011P-013	<table border="1"> <thead> <tr> <th>Description</th> <th>Part Number</th> </tr> </thead> <tbody> <tr> <td>11 Pin Circular Socket for DIN Panel Mount</td> <td>MSO-0011P-013</td> </tr> </tbody> </table>	Description	Part Number	11 Pin Circular Socket for DIN Panel Mount	MSO-0011P-013		
Description	Part Number										
11 Pin Circular Socket for DIN Panel Mount	MSO-0011P-013										
Description	Part Number										
11 Pin Circular Socket for DIN Panel Mount	MSO-0011P-013										
<table border="1"> <thead> <tr> <th>Description</th> <th>Part Number</th> </tr> </thead> <tbody> <tr> <td>11 Pin Spade Socket, DIN Rail Mountable</td> <td>MSO-00KUP-012</td> </tr> </tbody> </table>	Description	Part Number	11 Pin Spade Socket, DIN Rail Mountable	MSO-00KUP-012	<table border="1"> <thead> <tr> <th>Description</th> <th>Part Number</th> </tr> </thead> <tbody> <tr> <td>11 Pin Spade Socket, DIN Rail Mountable</td> <td>MSO-00KUP-012</td> </tr> </tbody> </table>	Description	Part Number	11 Pin Spade Socket, DIN Rail Mountable	MSO-00KUP-012		
Description	Part Number										
11 Pin Spade Socket, DIN Rail Mountable	MSO-00KUP-012										
Description	Part Number										
11 Pin Spade Socket, DIN Rail Mountable	MSO-00KUP-012										