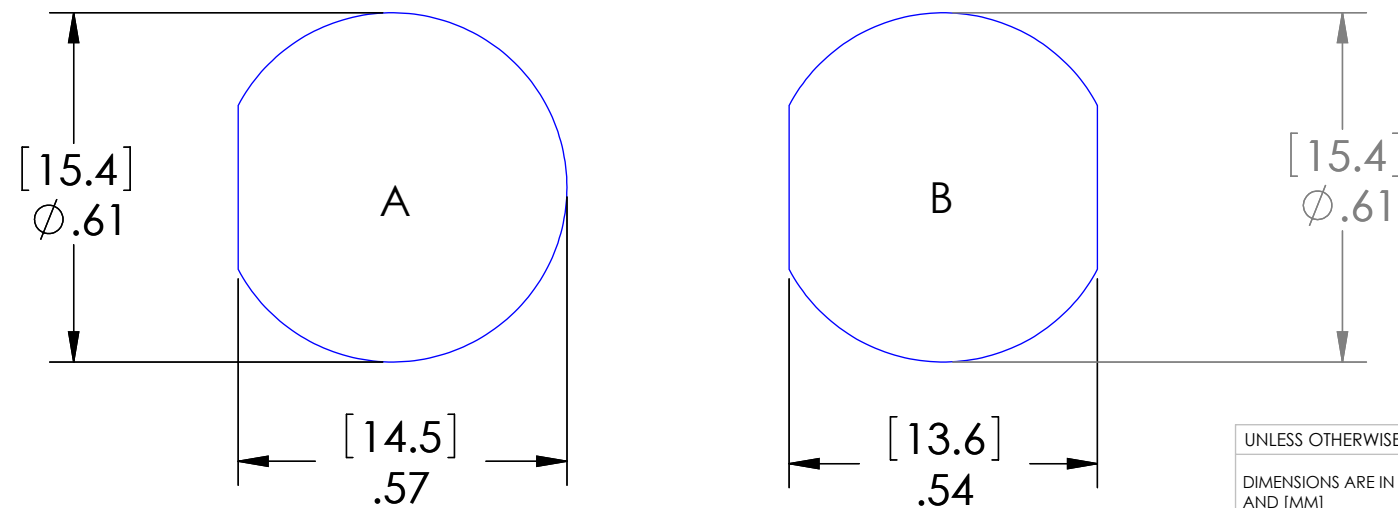
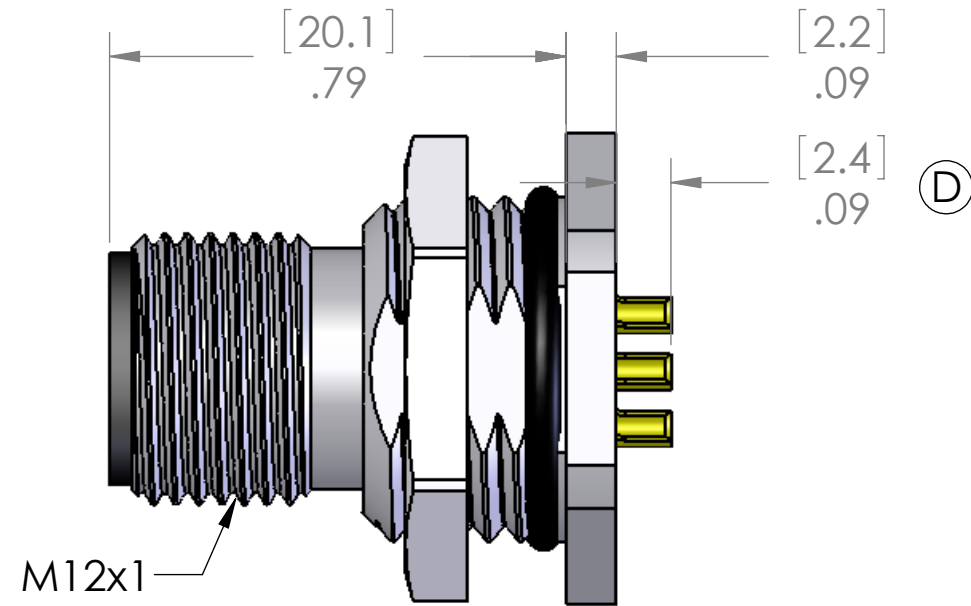
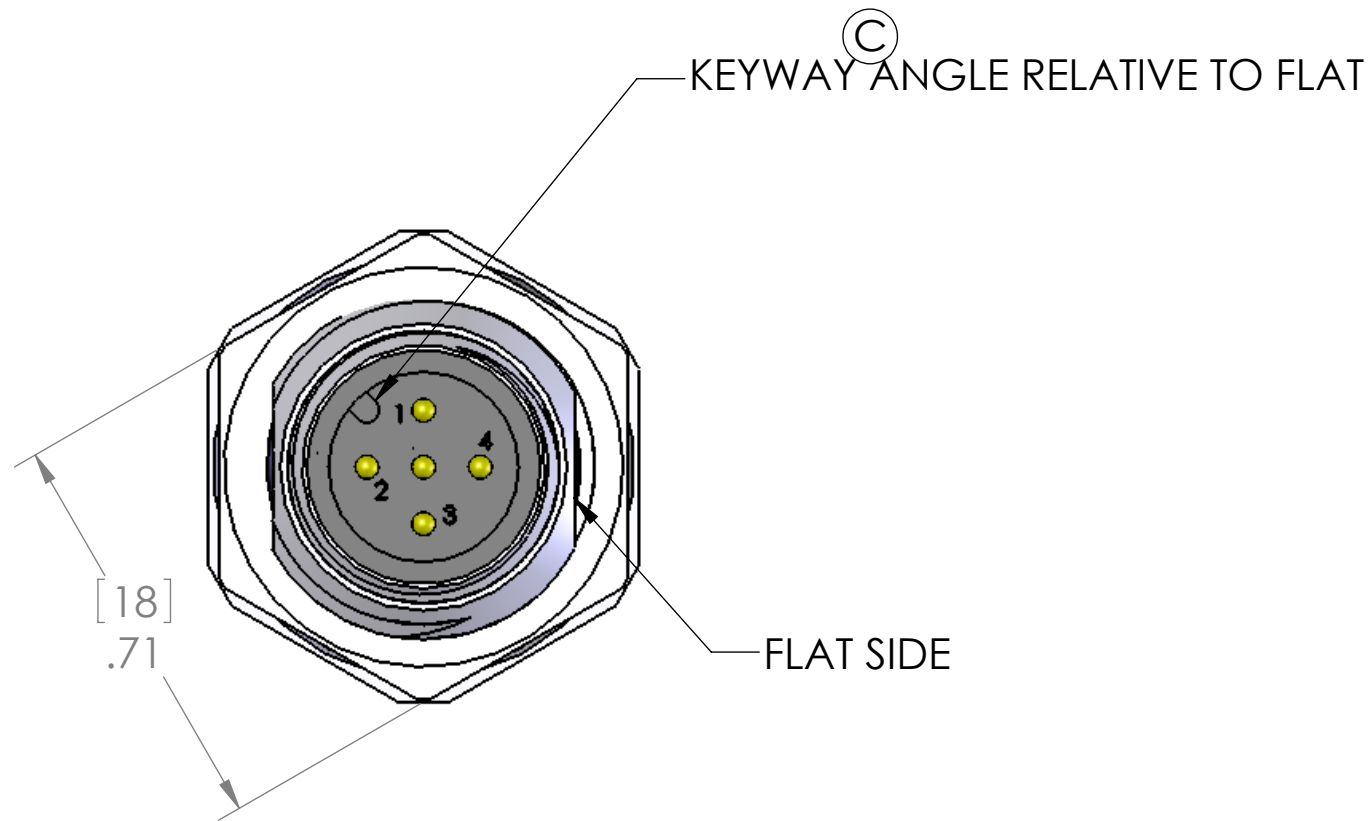


REVISIONS			
REV.	DESCRIPTION	DATE	APPROVED
A	INITIAL RELEASE	1/10/2005	
B	SHELL CHANGING TO DOUBLE FLATS ON SIDES	5/1/2006	
C	UPDATE KEYWAY LOCATION	2/16/2015	BEM
D	UPDATED PINS	9/9/2015	



SUGGESTED CUTOUTS

MATERIALS:	
BODY:	NICKEL PLATED BRASS
INSERT:	POLYAMIDE
O-RING:	BUNA-N
CONTACTS:	GOLD PLATED COPPER ALLOY
APPROVALS:	
US:	UL LISTED
CANADA:	C-UL LISTED

**PROPRIETARY AND CONFIDENTIAL**  
 THE INFORMATION CONTAINED IN THIS DRAWING IS THE SOLE PROPERTY OF MENCOM CORPORATION. ANY REPRODUCTION IN PART OR AS A WHOLE WITHOUT THE WRITTEN PERMISSION OF MENCOM CORPORATION IS PROHIBITED.

VOLTS	300V
AMPS	4A
TEMP	105°C
SPECIFICATIONS	

UNLESS OTHERWISE SPECIFIED:
DIMENSIONS ARE IN INCHES AND [MM]
MATERIAL
FINISH
DO NOT SCALE DRAWING

NAME	BEM
DRAWN	
CHECKED	
ENG APPR.	
MFG APPR.	
Q.A.	
COMMENTS:	

MENCOM CORPORATION		
TITLE:		
SIZE	DWG. NO.	REV
<b>B</b>	MDC-5MR-BM-SC	<b>D</b>
SCALE: 3:1	WEIGHT:	SHEET 1 OF 1