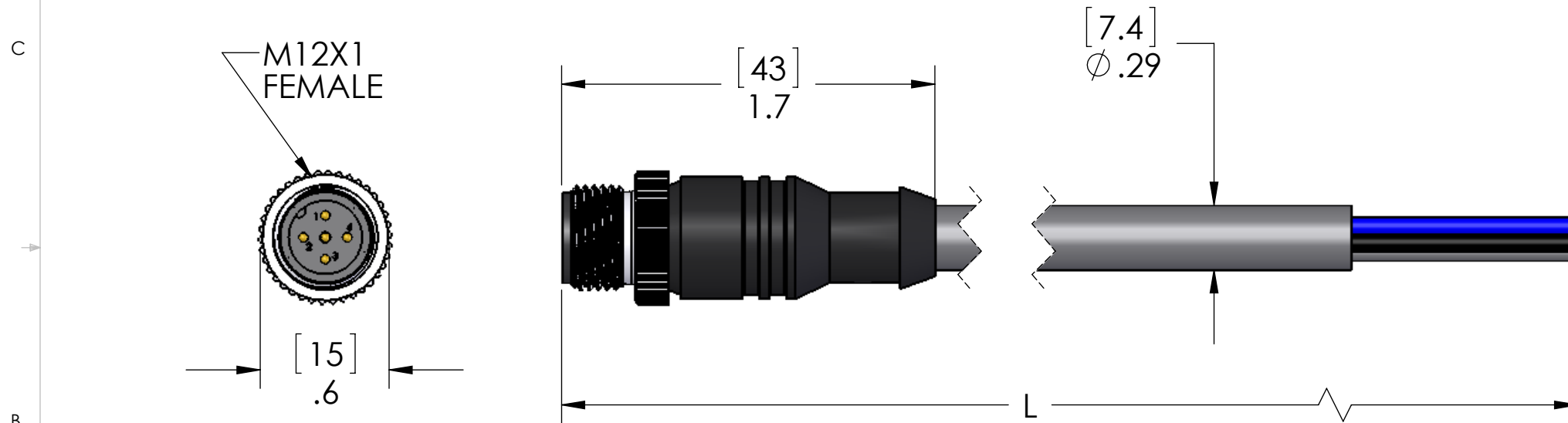


PIN #	COLOR
1	BROWN
2	WHITE
3	BLUE
4	BLACK
5	GRAY

REVISIONS			
REV.	DESCRIPTION	DATE	
A	DRAWN IN SW	5/17/2016	BEM



P/N	L
MDC-5MPX-1M-GY	40" [1m]
MDC-5MPX-2M-GY	79" [2m]
MDC-5MPX-3M-GY	118" [3m]
MDC-5MPX-4M-GY	157" [4m]
MDC-5MPX-5M-GY	197" [5m]
MDC-5MPX-6M-GY	236" [6m]
MDC-5MPX-10M-GY	393" [10m]
MDC-5MPX-15M-GY	591" [15m]
MDC-5MPX-20M-GY	787" [20m]
MDC-5MPX-30M-GY	1181" [30m]
MDC-5MPX-50M-GY	1968" [50m]

MATERIALS	
BODY:	BLACK PVC
CONTACTS:	GOLD PLATED COPPER ALLOY
CABLE:	18/5 AWM GRAY PVC JACKET
COUPLING:	NICKEL PLATED BRASS
INSERT:	POLYAMIDE

APPROVALS:	
US	UL LISTED
CANADA	C-UL LISTED

PROPRIETARY AND CONFIDENTIAL
 THE INFORMATION CONTAINED IN THIS DRAWING IS THE SOLE PROPERTY OF MENCOM CORPORATION. ANY REPRODUCTION IN PART OR AS A WHOLE WITHOUT THE WRITTEN PERMISSION OF MENCOM CORPORATION IS PROHIBITED.

VOLTS	300V
AMPS	4A
TEMP	105°C

UNLESS OTHERWISE SPECIFIED:	NAME
DIMENSIONS ARE IN INCHES AND [MM]	DRAWN: JJH
	CHECKED:
	ENG APPR.:
	MFG APPR.:
	Q.A.:
	COMMENTS:
MATERIAL:	
FINISH:	
DO NOT SCALE DRAWING	

MENCOM CORPORATION		
TITLE: 5 PL MDC MAL PLG, 18AWG		
SIZE: B	DWG. NO.: MDC-5MPX-ZZ-GY	REV: A
SCALE: 1.5:1		WEIGHT: SHEET 1 OF 1