

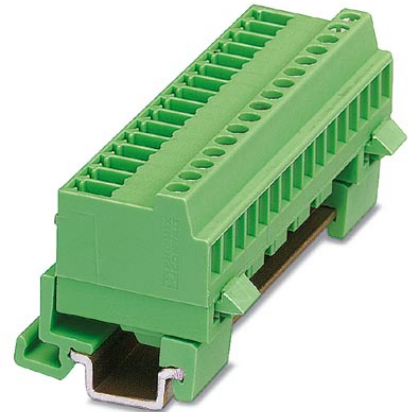


Extract from the online catalog

MCVK 1,5/12-G-3,81

Order No.: 1832837

The illustration shows a 16-position version




<http://eshop.phoenixcontact.de/phoenix/treeViewClick.do?UID=1832837>

| Commercial data | |
|-----------------|---------------|
| EAN | 4017918051587 |
| Pack | 50 pcs. |
| Customs tariff | 85369010 |
| Weight/Piece | 0.016088 KG |

Product notes

WEEE/RoHS-compliant since:
01/01/2003



<http://www.download.phoenixcontact.com>
Please note that the data given here has been taken from the online catalog. For comprehensive information and data, please refer to the user documentation. The General Terms and Conditions of Use apply to Internet downloads.

Technical data

| Dimensions / positions | |
|------------------------|---------|
| Pitch | 3.81 mm |
| Number of positions | 12 |
| Screw thread | M2 |
| Tightening torque, min | 0.22 Nm |
| Tightening torque max | 0.25 Nm |

MCVK 1,5/12-G-3,81 Order No.: 1832837
http://eshop.phoenixcontact.de/phoenix/treeViewClick.do?UID=1832837

Technical data

| | |
|------------------------------------|---------------------|
| Insulating material group | I |
| Rated surge voltage (III/3) | 2.5 kV |
| Rated surge voltage (III/2) | 2.5 kV |
| Rated surge voltage (II/2) | 2.5 kV |
| Rated voltage (III/2) | 160 V |
| Rated voltage (II/2) | 320 V |
| Connection in acc. with standard | EN-VDE |
| Nominal current I_N | 8 A |
| Nominal voltage U_N | 160 V |
| Nominal cross section | 1.5 mm ² |
| Insulating material | PA |
| Inflammability class acc. to UL 94 | V0 |
| Internal cylindrical gage | A1 |
| Stripping length | 7 mm |

Connection data

| | |
|---|----------------------|
| 2 conductors with same cross section, solid min. | 0.14 mm ² |
| 2 conductors with same cross section, solid max. | 0.5 mm ² |
| 2 conductors with same cross section, stranded min. | 0.14 mm ² |
| 2 conductors with same cross section, stranded max. | 0.75 mm ² |
| 2 conductors with same cross section, stranded, ferrules without plastic sleeve, min. | 0.25 mm ² |
| 2 conductors with same cross section, stranded, ferrules without plastic sleeve, max. | 0.34 mm ² |
| 2 conductors with same cross section, stranded, TWIN ferrules with plastic sleeve, min. | 0.5 mm ² |
| 2 conductors with same cross section, stranded, TWIN ferrules with plastic sleeve, max. | 0.5 mm ² |

Certificates / Approvals



Certification

CSA, CUL, UL

MCVK 1,5/12-G-3,81 Order No.: 1832837
http://eshop.phoenixcontact.de/phoenix/treeViewClick.do?UID=1832837

CSA

| | |
|-----------------------|-------|
| Nominal voltage U_N | 300 V |
| Nominal current I_N | 8 A |
| AWG/kcmil | 28-16 |

CUL

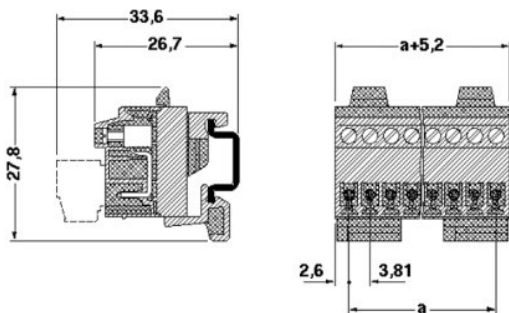
| | |
|-----------------------|-------|
| Nominal voltage U_N | 300 V |
| Nominal current I_N | 8 A |
| AWG/kcmil | 30-14 |

UL

| | |
|-----------------------|-------|
| Nominal voltage U_N | 300 V |
| Nominal current I_N | 8 A |
| AWG/kcmil | 30-14 |

Drawings

Dimensioned drawing



MCVK 1,5/12-G-3,81 Order No.: 1832837
<http://eshop.phoenixcontact.de/phoenix/treeViewClick.do?UID=1832837>

Address

PHOENIX CONTACT GmbH & Co. KG
Flachsmarktstr. 8
32825 Blomberg, Germany
Phone +49 5235 3 00
Fax +49 5235 3 41200
<http://www.phoenixcontact.de>



© 2009 Phoenix Contact
Technical modifications reserved;

onlinecomponents.com