

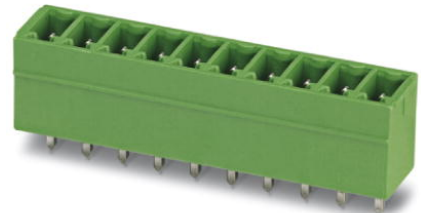


Extract from the online catalog

MCV 1,5/20-G-3,5

Order No.: 1843787

The figure shows a 10-position version of the product



<http://eshop.phoenixcontact.de/phoenix/treeViewClick.do?UID=1843787>

Header, Nominal current: 8 A, Nom. voltage: 160 V, Pitch: 3.5 mm, Number of positions: 20, Assembly: Soldering

Commercial data	
EAN	4017918102456
Pack	50 pcs.
Customs tariff	85366990
Weight/Piece	0.00522 KG
Catalog page information	Page 109 (CC-2005)

Product notes

WEEE/RoHS-compliant since: 01/01/2003

<http://www.download.phoenixcontact.com>
Please note that the data given here has been taken from the online catalog. For comprehensive information and data, please refer to the user documentation. The General Terms and Conditions of Use apply to Internet downloads.

Technical data

Dimensions / positions	
Length	7.25 mm
Pitch	3.5 mm
Dimension a	66.5 mm
Number of positions	20
Pin dimensions	0,8 x 0,8 mm

MCV 1,5/20-G-3,5 Order No.: 1843787
http://eshop.phoenixcontact.de/phoenix/treeViewClick.do?UID=1843787

Hole diameter	1.2 mm
Technical data	
Insulating material group	IIIa
Rated surge voltage (III/3)	2.5 kV
Rated surge voltage (III/2)	2.5 kV
Rated surge voltage (II/2)	2.5 kV
Rated voltage (III/2)	160 V
Rated voltage (II/2)	250 V
Connection in acc. with standard	EN-VDE
Nominal current I_N	8 A
Nominal voltage U_N	160 V
Maximum load current	8 A
Insulating material	PBT
Inflammability class acc. to UL 94	V0

Certificates / Approvals



Certification CB, CSA, CUL, GOST, UL, VDE-PZI

CSA

Nominal voltage U_N	300 V
Nominal current I_N	8 A

CUL

Nominal voltage U_N	300 V
Nominal current I_N	8 A

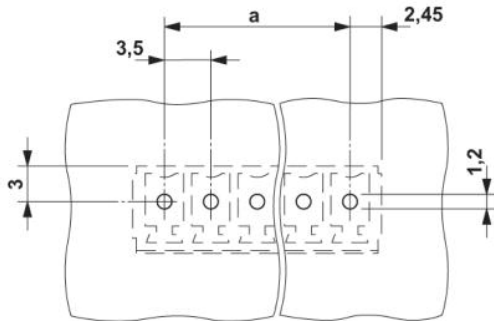
UL

Nominal voltage U_N	300 V
Nominal current I_N	8 A

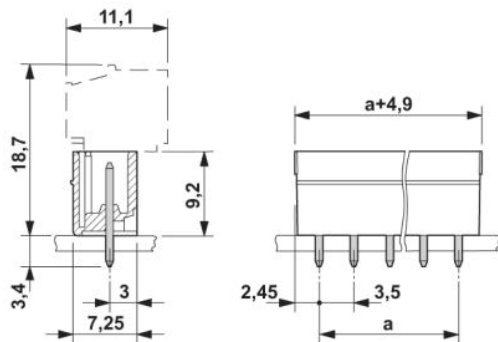
MCV 1,5/20-G-3,5 Order No.: 1843787
<http://eshop.phoenixcontact.de/phoenix/treeViewClick.do?UID=1843787>

Drawings

Drilling diagram



Dimensioned drawing



MCV 1,5/20-G-3,5 Order No.: 1843787
<http://eshop.phoenixcontact.de/phoenix/treeViewClick.do?UID=1843787>

Address

PHOENIX CONTACT GmbH & Co. KG
Flachsmarktstr. 8
32825 Blomberg, Germany
Phone +49 5235 3 00
Fax +49 5235 3 41200
<http://www.phoenixcontact.de>



© 2009 Phoenix Contact
Technical modifications reserved;

onlinecomponents.com