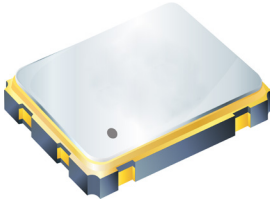


# Crystal Resonator

## SMD 6035 (6mm × 3.5mm × 1mm)

**multicomp** PRO

**RoHS  
Compliant**



### Application

Used in Bluetooth, wireless communication set, DSC, PDA, mobile phone, USB interface card, etc.

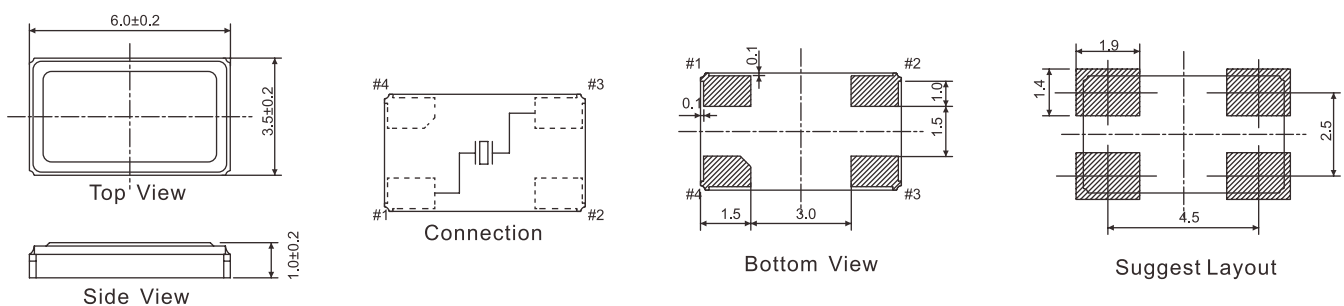
### Features

- 6035 size miniature SMD crystal resonator with a low profile of 1mm
- Wide frequency range from a comparatively low 8MHz up to 48MHz
- High precision and high frequency stability
- Automatic mounting and reflow soldering
- 4 Pads

### Electrical Specifications

Frequency Range	: 8 ~ 48MHz
Frequency Tolerance (at 25°C)	: ±10ppm, ±30ppm
Frequency Stability Over Operating Temperature Range	: ±20ppm, ±30ppm
Operating Temperature Range	: -20°C to +70°C
Shunt Capacitance (C <sub>0</sub> )	: 5pF Max.
Drive Level	: 1 ~ 200µW Max. (100µW Typical)
Load Capacitance	: 16pF, 18pF
Equivalent Series Resistance (ESR)	: 60Ω & 80Ω
Aging (at 25°C)	: ±3ppm / year Max.
Storage Temperature Range	: -55°C to +125°C
Pad	: 4Pads

### Diagram



Dimensions : Millimetres

Newark.com/multicomp-pro  
Farnell.com/multicomp-pro  
Element14.com/multicomp-pro

**multicomp** PRO

# Crystal Resonator

## SMD 6035 (6mm × 3.5mm × 1mm)

**multicomp** PRO

### Part Number Table

Description	Part Number
Crystal Resonator, 6035, 8MHz/ ±10ppm, 80Ω, ±20ppm, -20 ~ +70°C, 16pF	MCSJK-6G-8.00-16-10-80-B-20
Crystal Resonator, 6035, 8MHz/ ±30ppm, 80Ω, ±30ppm, -20 ~ +70°C, 16pF	MCSJK-6G-8.00-16-30-80-B-30
Crystal Resonator, 6035, 8MHz/ ±10ppm, 80Ω, ±20ppm, -20 ~ +70°C, 18pF	MCSJK-6G-8.00-18-10-80-B-20
Crystal Resonator, 6035, 8MHz/ ±30ppm, 80Ω, ±30ppm, -20 ~ +70°C, 18pF	MCSJK-6G-8.00-18-30-80-B-30
Crystal Resonator, 6035, 10MHz/ ±10ppm, 80Ω, ±20ppm, -20 ~ +70°C, 16pF	MCSJK-6G-10.00-16-10-80-B-20
Crystal Resonator, 6035, 10MHz/ ±30ppm, 80Ω, ±30ppm, -20 ~ +70°C, 16pF	MCSJK-6G-10.00-16-30-80-B-30
Crystal Resonator, 6035, 10MHz/ ±10ppm, 80Ω, ±20ppm, -20 ~ +70°C, 18pF	MCSJK-6G-10.00-18-10-80-B-20
Crystal Resonator, 6035, 10MHz/ ±30ppm, 80Ω, ±30ppm, -20 ~ +70°C, 18pF	MCSJK-6G-10.00-18-30-80-B-30
Crystal Resonator, 6035, 11.0592MHz/ ±10ppm, 80Ω, ±20ppm, -20 ~ +70°C, 16pF	MCSJK-6G-11.0592-16-10-80-B-20
Crystal Resonator, 6035, 11.0592MHz/ ±30ppm, 80Ω, ±30ppm, -20 ~ +70°C, 16pF	MCSJK-6G-11.0592-16-30-80-B-30
Crystal Resonator, 6035, 11.0592MHz/ ±10ppm, 80Ω, ±20ppm, -20 ~ +70°C, 18pF	MCSJK-6G-11.0592-18-10-80-B-20
Crystal Resonator, 6035, 11.0592MHz/ ±30ppm, 80Ω, ±30ppm, -20 ~ +70°C, 18pF	MCSJK-6G-11.0592-18-30-80-B-30
Crystal Resonator, 6035, 12MHz/ ±10ppm, 60Ω, ± 20ppm, -20 ~ +70°C, 16pF	MCSJK-6G-12.00-16-10-60-B-20
Crystal Resonator, 6035, 12MHz/ ±30ppm, 60Ω, ± 30ppm, -20 ~ +70°C, 16pF	MCSJK-6G-12.00-16-30-60-B-30
Crystal Resonator, 6035, 12MHz/ ±10ppm, 60Ω, ± 20ppm, -20 ~ +70°C, 18pF	MCSJK-6G-12.00-18-10-60-B-20
Crystal Resonator, 6035, 12MHz/ ±30ppm, 60Ω, ± 30ppm, -20 ~ +70°C, 18pF	MCSJK-6G-12.00-18-30-60-B-30
Crystal Resonator, 6035, 12.288MHz/ ±10ppm, 60Ω, ± 20ppm, -20 ~ +70°C, 16pF	MCSJK-6G-12.288-16-10-60-B-20
Crystal Resonator, 6035, 12.288MHz/ ±30ppm, 60Ω, ± 30ppm, -20 ~ +70°C, 16pF	MCSJK-6G-12.288-16-30-60-B-30
Crystal Resonator, 6035, 12.288MHz/ ±10ppm, 60Ω, ± 20ppm, -20 ~ +70°C, 18pF	MCSJK-6G-12.288-18-10-60-B-20
Crystal Resonator, 6035, 12.288MHz/ ±30ppm, 60Ω, ± 30ppm, -20 ~ +70°C, 18pF	MCSJK-6G-12.288-18-30-60-B-30
Crystal Resonator, 6035, 13.56MHz/ ±10ppm, 60Ω, ± 20ppm, -20 ~ +70°C, 16pF	MCSJK-6G-13.56-16-10-60-B-20
Crystal Resonator, 6035, 13.56MHz/ ±30ppm, 60Ω, ± 30ppm, -20 ~ +70°C, 16pF	MCSJK-6G-13.56-16-30-60-B-30
Crystal Resonator, 6035, 13.56MHz/ ±10ppm, 60Ω, ± 20ppm, -20 ~ +70°C, 18pF	MCSJK-6G-13.56-18-10-60-B-20
Crystal Resonator, 6035, 13.56MHz/ ±30ppm, 60Ω, ± 30ppm, -20 ~ +70°C, 18pF	MCSJK-6G-13.56-18-30-60-B-30
Crystal Resonator, 6035, 14.31818MHz/ ±10ppm, 60Ω, ±20ppm, -20 ~ +70°C, 16pF	MCSJK-6G-14.31818-16-10-60-B-20
Crystal Resonator, 6035, 14.31818MHz/ ±30ppm, 60Ω, ±30ppm, -20 ~ +70°C, 16pF	MCSJK-6G-14.31818-16-30-60-B-30
Crystal Resonator, 6035, 14.31818MHz/ ±10ppm, 60Ω, ±20ppm, -20 ~ +70°C, 18pF	MCSJK-6G-14.31818-18-10-60-B-20
Crystal Resonator, 6035, 14.31818MHz/ ±30ppm, 60Ω, ±30ppm, -20 ~ +70°C, 18pF	MCSJK-6G-14.31818-18-30-60-B-30
Crystal Resonator, 6035, 14.7456MHz/ ±10ppm, 60Ω, ±20ppm, -20 ~ +70°C, 16pF	MCSJK-6G-14.7456-16-10-60-B-20
Crystal Resonator, 6035, 14.7456MHz/ ±30ppm, 60Ω, ±30ppm, -20 ~ +70°C, 16pF	MCSJK-6G-14.7456-16-30-60-B-30
Crystal Resonator, 6035, 14.7456MHz/ ±10ppm, 60Ω, ±20ppm, -20 ~ +70°C, 18pF	MCSJK-6G-14.7456-18-10-60-B-20
Crystal Resonator, 6035, 14.7456MHz/ ±30ppm, 60Ω, ±30ppm, -20 ~ +70°C, 18pF	MCSJK-6G-14.7456-18-30-60-B-30
Crystal Resonator, 6035, 16MHz/ ±10ppm, 60Ω, ±20ppm, -20 ~ +70°C, 16pF	MCSJK-6G-16.00-16-10-60-B-20
Crystal Resonator, 6035, 16MHz/ ±30ppm, 60Ω, ±30ppm, -20 ~ +70°C, 16pF	MCSJK-6G-16.00-16-30-60-B-30
Crystal Resonator, 6035, 16MHz/ ±10ppm, 60Ω, ±20ppm, -20 ~ +70°C, 18pF	MCSJK-6G-16.00-18-10-60-B-20
Crystal Resonator, 6035, 16MHz/ ±30ppm, 60Ω, ±30ppm, -20 ~ +70°C, 18pF	MCSJK-6G-16.00-18-30-60-B-30
Crystal Resonator, 6035, 16.384MHz/ ±10ppm, 60Ω, ±20ppm, -20 ~ +70°C, 16pF	MCSJK-6G-16.384-16-10-60-B-20
Crystal Resonator, 6035, 16.384MHz/ ±30ppm, 60Ω, ±30ppm, -20 ~ +70°C, 16pF	MCSJK-6G-16.384-16-30-60-B-30

Newark.com/multicomp-pro  
 Farnell.com/multicomp-pro  
 Element14.com/multicomp-pro

**multicomp** PRO

# Crystal Resonator

## SMD 6035 (6mm × 3.5mm × 1mm)

**multicomp** PRO

Description	Part Number
Crystal Resonator, 6035, 16.384MHz/ ±10ppm, 60Ω, ±20ppm, -20 ~ +70°C, 18pF	MCSJK-6G-16.384-18-10-60-B-20
Crystal Resonator, 6035, 16.384MHz/ ±30ppm, 60Ω, ±30ppm, -20 ~ +70°C, 18pF	MCSJK-6G-16.384-18-30-60-B-30
Crystal Resonator, 6035, 16.934MHz/ ±10ppm, 60Ω, ±20ppm, -20 ~ +70°C, 16pF	MCSJK-6G-16.9344-16-10-60-B-20
Crystal Resonator, 6035, 16.934MHz/ ±30ppm, 60Ω, ±30ppm, -20 ~ +70°C, 16pF	MCSJK-6G-16.9344-16-30-60-B-30
Crystal Resonator, 6035, 16.934MHz/ ±10ppm, 60Ω, ±20ppm, -20 ~ +70°C, 18pF	MCSJK-6G-16.9344-18-10-60-B-20
Crystal Resonator, 6035, 16.934MHz/ ±30ppm, 60Ω, ±30ppm, -20 ~ +70°C, 18pF	MCSJK-6G-16.9344-18-30-60-B-30
Crystal Resonator, 6035, 18.432MHz/ ±10ppm, 60Ω, ±20ppm, -20 ~ +70°C, 16pF	MCSJK-6G-18.432-16-10-60-B-20
Crystal Resonator, 6035, 18.432MHz/ ±30ppm, 60Ω, ±30ppm, -20 ~ +70°C, 16pF	MCSJK-6G-18.432-16-30-60-B-30
Crystal Resonator, 6035, 18.432MHz/ ±10ppm, 60Ω, ±20ppm, -20 ~ +70°C, 18pF	MCSJK-6G-18.432-18-10-60-B-20
Crystal Resonator, 6035, 18.432MHz/ ±30ppm, 60Ω, ±30ppm, -20 ~ +70°C, 18pF	MCSJK-6G-18.432-18-30-60-B-30
Crystal Resonator, 6035, 20MHz/ ±10ppm, 60Ω, ±20ppm, -20 ~ +70°C, 16pF	MCSJK-6G-20.00-16-10-60-B-20
Crystal Resonator, 6035, 20MHz/ ±30ppm, 60Ω, ±30ppm, -20 ~ +70°C, 16pF	MCSJK-6G-20.00-16-30-60-B-30
Crystal Resonator, 6035, 20MHz/ ±10ppm, 60Ω, ±20ppm, -20 ~ +70°C, 18pF	MCSJK-6G-20.00-18-10-60-B-20
Crystal Resonator, 6035, 20MHz/ ±30ppm, 60Ω, ±30ppm, -20 ~ +70°C, 18pF	MCSJK-6G-20.00-18-30-60-B-30
Crystal Resonator, 6035, 24MHz/ ±10ppm, 60Ω, ±20ppm, -20 ~ +70°C, 16pF	MCSJK-6G-24.00-16-10-60-B-20
Crystal Resonator, 6035, 24MHz/ ±30ppm, 60Ω, ±30ppm, -20 ~ +70°C, 16pF	MCSJK-6G-24.00-16-30-60-B-30
Crystal Resonator, 6035, 24MHz/ ±10ppm, 60Ω, ±20ppm, -20 ~ +70°C, 18pF	MCSJK-6G-24.00-18-10-60-B-20
Crystal Resonator, 6035, 24MHz/ ±30ppm, 60Ω, ±30ppm, -20 ~ +70°C, 18pF	MCSJK-6G-24.00-18-30-60-B-30
Crystal Resonator, 6035, 25MHz/ ±10ppm, 60Ω, ±20ppm, -20 ~ +70°C, 16pF	MCSJK-6G-25.00-16-10-60-B-20
Crystal Resonator, 6035, 25MHz/ ±30ppm, 60Ω, ±30ppm, -20 ~ +70°C, 16pF	MCSJK-6G-25.00-16-30-60-B-30
Crystal Resonator, 6035, 25MHz/ ±10ppm, 60Ω, ±20ppm, -20 ~ +70°C, 18pF	MCSJK-6G-25.00-18-10-60-B-20
Crystal Resonator, 6035, 25MHz/ ±30ppm, 60Ω, ±30ppm, -20 ~ +70°C, 18pF	MCSJK-6G-25.00-18-30-60-B-30
Crystal Resonator, 6035, 27MHz/ ±10ppm, 60Ω, ±20ppm, -20 ~ +70°C, 16pF	MCSJK-6G-27.00-16-10-60-B-20
Crystal Resonator, 6035, 27MHz/ ±30ppm, 60Ω, ±30ppm, -20 ~ +70°C, 16pF	MCSJK-6G-27.00-16-30-60-B-30
Crystal Resonator, 6035, 27MHz/ ±10ppm, 60Ω, ±20ppm, -20 ~ +70°C, 18pF	MCSJK-6G-27.00-18-10-60-B-20
Crystal Resonator, 6035, 27MHz/ ±30ppm, 60Ω, ±30ppm, -20 ~ +70°C, 18pF	MCSJK-6G-27.00-18-30-60-B-30
Crystal Resonator, 6035, 30MHz/ ±10ppm, 60Ω, ±20ppm, -20 ~ +70°C, 16pF	MCSJK-6G-30.00-16-10-60-B-20
Crystal Resonator, 6035, 30MHz/ ±30ppm, 60Ω, ±30ppm, -20 ~ +70°C, 16pF	MCSJK-6G-30.00-16-30-60-B-30
Crystal Resonator, 6035, 30MHz/ ±10ppm, 60Ω, ±20ppm, -20 ~ +70°C, 18pF	MCSJK-6G-30.00-18-10-60-B-20
Crystal Resonator, 6035, 30MHz/ ±30ppm, 60Ω, ±30ppm, -20 ~ +70°C, 18pF	MCSJK-6G-30.00-18-30-60-B-30
Crystal Resonator, 6035, 48MHz/ ±10ppm, 60Ω, ±20ppm, -20 ~ +70°C, 16pF	MCSJK-6G-48.00-16-10-60-B-20
Crystal Resonator, 6035, 48MHz/ ±30ppm, 60Ω, ±30ppm, -20 ~ +70°C, 16pF	MCSJK-6G-48.00-16-30-60-B-30
Crystal Resonator, 6035, 48MHz/ ±10ppm, 60Ω, ±20ppm, -20 ~ +70°C, 18pF	MCSJK-6G-48.00-18-10-60-B-20
Crystal Resonator, 6035, 48MHz/ ±30ppm, 60Ω, ±30ppm, -20 ~ +70°C, 18pF	MCSJK-6G-48.00-18-30-60-B-30

**Important Notice** : This data sheet and its contents (the "Information") belong to the members of the AVNET group of companies (the "Group") or are licensed to it. No licence is granted for the use of it other than for information purposes in connection with the products to which it relates. No licence of any intellectual property rights is granted. The Information is subject to change without notice and replaces all data sheets previously supplied. The Information supplied is believed to be accurate but the Group assumes no responsibility for its accuracy or completeness, any error in or omission from it or for any use made of it. Users of this data sheet should check for themselves the Information and the suitability of the products for their purpose and not make any assumptions based on information included or omitted. Liability for loss or damage resulting from any reliance on the Information or use of it (including liability resulting from negligence or where the Group was aware of the possibility of such loss or damage arising) is excluded. This will not operate to limit or restrict the Group's liability for death or personal injury resulting from its negligence. Multicomp Pro is the registered trademark of Premier Farnell Limited 2019.

Newark.com/multicomp-pro  
 Farnell.com/multicomp-pro  
 Element14.com/multicomp-pro

**multicomp** PRO