



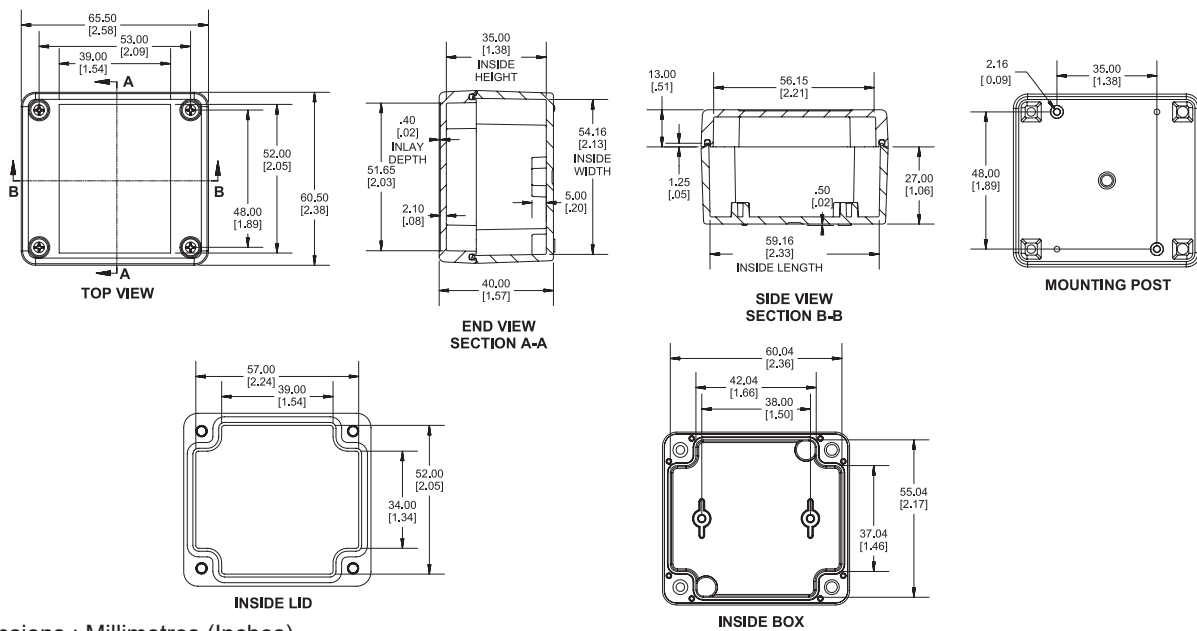
Features

- Ideally suited for mounting printed circuit boards or components
- Molded from general purpose ABS plastic (UL94 HB)
- Gasketed lid with two piece "Tongue & Groove" construction provides protection against oil, dust and water
- Lid is secured with self captivating M3.5 stainless steel machine screws
- Designed to meet IP65

Specifications

Container Type	: Box with Cover
Material	: ABS (UL94 HB)
Colour	: Light Grey
External Length	: 65.5mm / 2.58"
External Width	: 60.5mm / 2.38"
External Height	: 40mm / 1.57"
Accessories Included	: String Gasket, 4 PCB Screws, 4 Cover Screws

Diagram



Dimensions : Millimetres (Inches)

Part Number Table

Description	Part Number
ABS Plastic Watertight Enclosure, General Purpose, Light Grey	MCRP1025

Important Notice : This data sheet and its contents (the "Information") belong to the members of the AVNET group of companies (the "Group") or are licensed to it. No licence is granted for the use of it other than for information purposes in connection with the products to which it relates. No licence of any intellectual property rights is granted. The Information is subject to change without notice and replaces all data sheets previously supplied. The Information supplied is believed to be accurate but the Group assumes no responsibility for its accuracy or completeness, any error in or omission from it or for any use made of it. Users of this data sheet should check for themselves the Information and the suitability of the products for their purpose and not make any assumptions based on information included or omitted. Liability for loss or damage resulting from any reliance on the Information or use of it (including liability resulting from negligence or where the Group was aware of the possibility of such loss or damage arising) is excluded. This will not operate to limit or restrict the Group's liability for death or personal injury resulting from its negligence. Multicomp Pro is the registered trademark of Premier Farnell Limited 2019.