

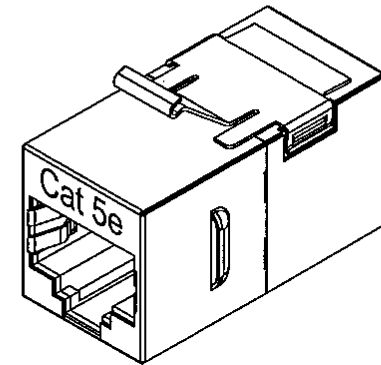
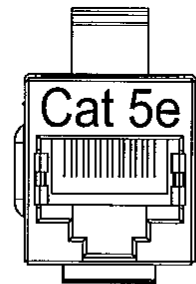
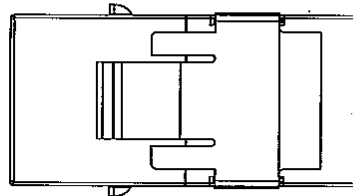
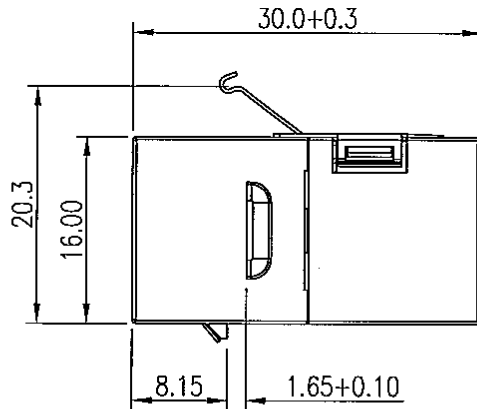
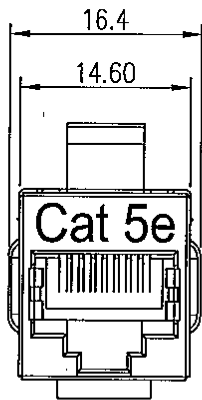
REV.	REVISIONS	DATE	BY
------	-----------	------	----

**Material:**

Housing: High Impact Flame Retardant Plastic,  
 UL 94V-0 Rated  
 Shielded: 0.25t Copper alloy with nickel plated.  
 Bracket: 0.3t SUS 301  
 PCB: FR4 1.0 mm Thickness  
 Jack Wiring: Phosphor Bronze  
 Gold Over Nickel Plated

**Electrical:**

Current Rating: 1.5Amps  
 Insulation resistance: 500 million ohms minimum  
 Contact resistance: 20 milli ohms maximum  
 DC resistance: 0.1 ohms maximum  
 Exceed enhanced Cat.5 requirements



TOLERANCE		SCALE	SHEET	DRAWN BY	DATE	TITLE
.X	±0.25	3:2	1 OF 1	<i>Susan</i>	07/16/2007	
.XX	±0.15	REV.	A	CHECKED BY	DATE	SHORT STP CAT5E IN-LINE COUPLER
ANGLES	±	MATERIAL		THIRD ANGLE PROJECTION	