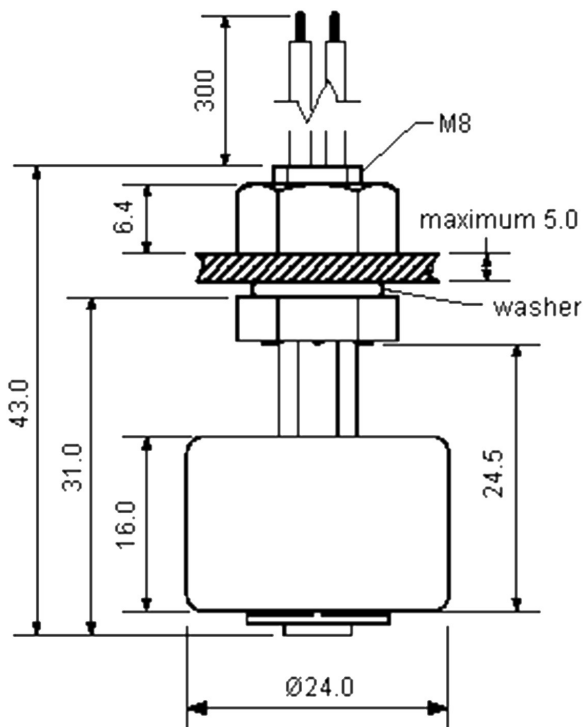


# Float Sensor



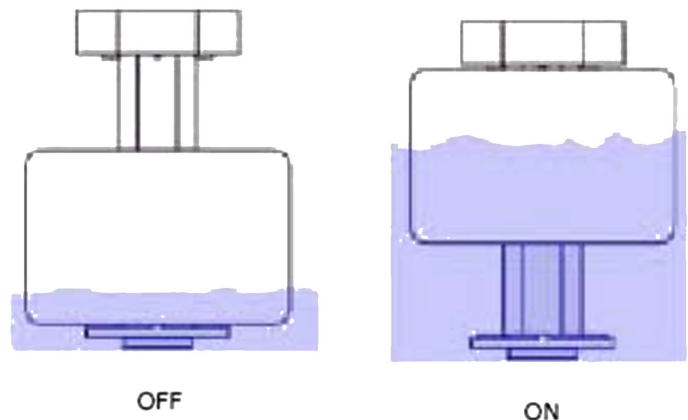
## Specifications:

Output Current	: 2A
Sensor Body Material	: PP
AC Power	: 50VA
Contact Configuration	: Form A
Contact Material	: Ruthenium
Contact Voltage AC Max	: 250V
DC Power	: 50W
Differential Travel Max	: 8.5mm
External Length / Height	: 43mm
Float Diameter	: 24mm
Lead Length	: 300mm
Series	: Magnetic Level Sensor
Switch Operation	: NO
Switching Current	: 1.5A
Switching Voltage DC Max	: 200V
Terminal Type	: Flying Lead
Thread Size	: M8



Dimensions : Millimetres

## Operating diagram



## Electrical Characteristics at 25°C

Contact form	A
Contact material	Ru
Maximum contact rating	50 W/VA
Maximum switching current	1.5A
Maximum carry current	2A
Maximum switching voltage	200V DC
	250V AC
Minimum breakdown voltage	400V DC

## Temperature Range

Operating temperature	-20°C to +80°C
Storage temperature	-30°C to +80°C

Material	Use in
Polypropylene (PP)	Water, dilute acids
Polyamide (PA)	Oil, gasoline (petrol), brake fluid

## Part Number Table

Description	Part Number
Sensor, Float Switch, Vertical	MCPLS-031-A-6

**Important Notice** : This data sheet and its contents (the "Information") belong to the members of the Premier Farnell group of companies (the "Group") or are licensed to it. No licence is granted for the use of it other than for information purposes in connection with the products to which it relates. No licence of any intellectual property rights is granted. The Information is subject to change without notice and replaces all data sheets previously supplied. The Information supplied is believed to be accurate but the Group assumes no responsibility for its accuracy or completeness, any error in or omission from it or for any use made of it. Users of this data sheet should check for themselves the Information and the suitability of the products for their purpose and not make any assumptions based on information included or omitted. Liability for loss or damage resulting from any reliance on the Information or use of it (including liability resulting from negligence or where the Group was aware of the possibility of such loss or damage arising) is excluded. This will not operate to limit or restrict the Group's liability for death or personal injury resulting from its negligence. Multicomp is the registered trademark of the Group. © Premier Farnell plc 2012.