



Specifications



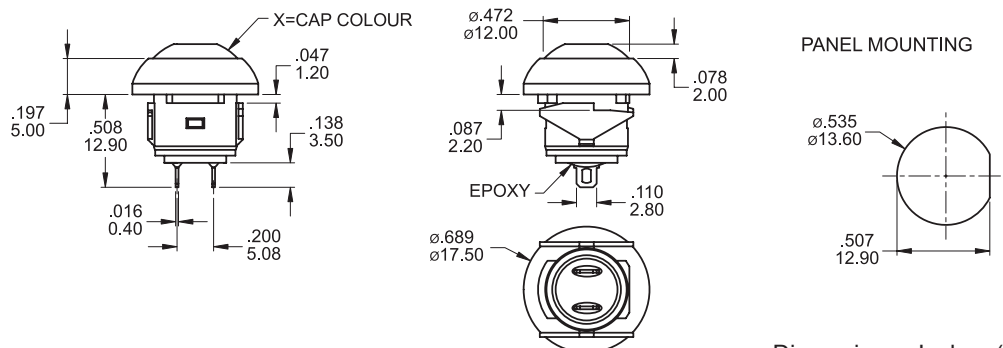
Current / Voltage Rating With Resistive Load	: 400mA 32V AC-100mA 50V DC-125mA 125V AC max. 500mA 48V AC - 200 mA 50V DC - 200mA 250V AC.for metal material
Initial Contact Resistance	: 50mΩ max.
Insulation Resistance	: 1GΩ min.at 500V DC
Dielectric Strength	: 1,000V AC rms 1,500V AC rms for metal material
Electrical Life At Full Load	: 500,000 cycles
Operating Temperature	: -30°C to 85°C
Panel Thickness	: B1 series : 0.8 mm (.031) min. -1.8 mm (.071) max. B2 series : 1.5 mm (.059) min. -4 mm (.157) max.
Total Travel	: 1.5 mm (.059)
Operating Force	: 2N to 5N
Contact Bounce	: 10ms.
Mechanical Life	: 1,000,000 cycles.
Torque	: 0.5 Nm max.applied to nut, 1.5 Nm max. for metal material.
Soldering	: 350°C max.for 5 seconds.

Switch Function

No. Poles	Model No.	Switch Function		Connected Terminals		SCHEMATIC
		POS.1	POS.2	POS.1	POS.2	
SP	MCPAS6	OFF	MOM	OPEN	1-3	

MOM=Momentary

MCPAS6-B1

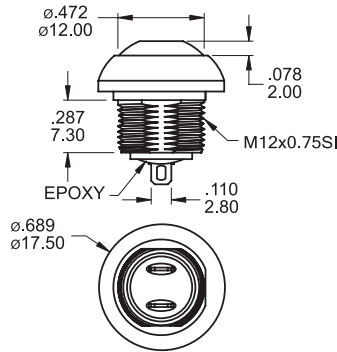
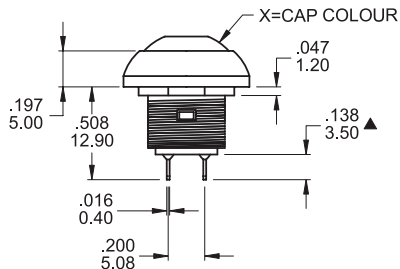


Dimensions : Inches (Millimeters)

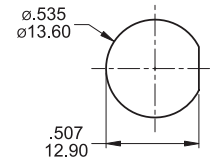
MCPA Series



MCPAS6-B2

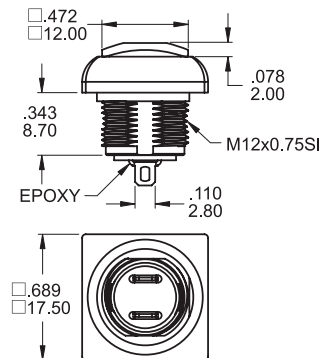
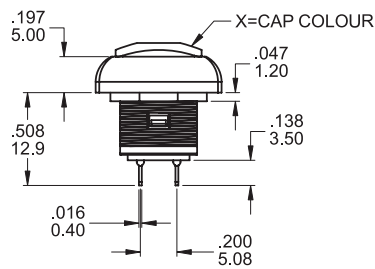


PANEL MOUNTING

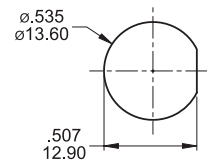


Dimensions : Inches (Millimeters)

MCPAS6-D1



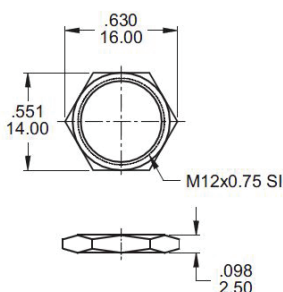
PANEL MOUNTING



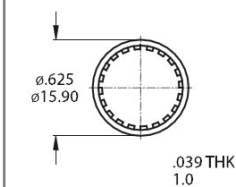
Dimensions : Inches (Millimeters)

Hardware

M12 Nut

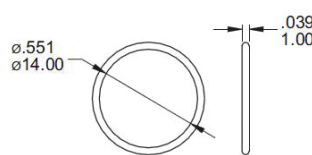


Lock Washer HDW12



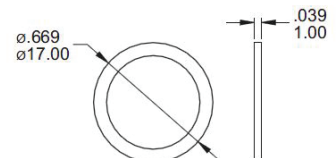
Supplied with B2 / D1 bushing

O-Ring



Supplied with D1 options

Rubber Washer



Supplied standard with B1 / B2 options

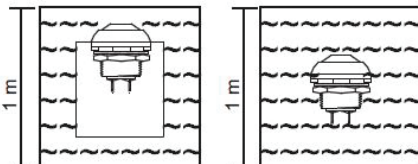


With Led Electro-Optical Data

Model No.	Lens Appearance	Colour	Electro-optical Data (AT 20mA)				Peak Wave-length	Viewing Angle 2θ 1/2 (deg)	
			Vf (V)		Iv (mcd)				
			Typ.	Max.	Min.	Typ.			
MCPAS6	Water Clear	White (AT 5mA)	3.2	3.6	94	250	X=0.28 Y=0.29	35°	
		Super Red	1.7	2.6	28	60	660		
		Super Yellow	2.1	2.6	94	200	590		
		Super Green	2.0	2.6	42	100	570		
		Super Blue	3.2	3.6	63	150	470		
		Super Yellow (Super Green)	Y	2.1	2.6	94	200		590
			G	2.0	2.6	42	80		570
		Super Yellow (Super Blue)	Y	2.1	2.6	94	200		590
			B	3.2	3.6	94	200		460
		Super Yellow (Super Red)	Y	2.1	2.6	63	100		590
			R	2	2.6	42	90		630
		Super Red (Super Green)	R	2	2.6	42	90		630
			G	2.0	2.6	42	90		570
		Super Red (Super Blue)	R	2	2.6	42	90		630
			B	3.2	3.6	94	200		460
		Super Green (Super Blue)	G	2.0	2.6	42	100		570
B	3.2		3.6	94	200	460			

IP 67 for the whole series:

Protected against the effects of immersion up to 1 m water(30mn)



Soldering Processes

Manual Soldering : Use soldering iron of 30 watts, controlled at 350°C approximately 5 seconds while applying solder.

Wave Soldering : Recommended Soldering Temperature : 260 ± 5°C
Duration of Solder Immersion : Max 5 sec.
(PCB is 1.6mm in thickness)

Soldering : Vapor phase

Part Number Table

Description	Part Number
Switch, Round, Illum, Red	MCPAS6-B1-M1CES2L3
Switch, Round, Illum Dot, Yellow	MCPAS6-B1-M1CES2L5
Switch, Round, Illum Dot, Green	MCPAS6-B1-M1CES2L6
Switch, Round, Illum Dot, Blue	MCPAS6-B1-M1CES2L7
Switch, Round, Illum Dot, Red	MCPAS6-B2-M1CES2L3
Switch, Round, Illum Dot, Yellow	MCPAS6-B2-M1CES2L5
Switch, Round, Illum Dot, Green	MCPAS6-B2-M1CES2L6
Switch, Round, Illum Dot, Blue	MCPAS6-B2-M1CES2L7
Switch, Square, White	MCPAS6-D1-M1CES1
Switch, Square, Black	MCPAS6-D1-M1CES2
Switch, Square, Red	MCPAS6-D1-M1CES3
Switch, Square, Yellow	MCPAS6-D1-M1CES5
Switch, Square, Green	MCPAS6-D1-M1CES6
Switch, Square, Blue	MCPAS6-D1-M1CES7

Important Notice : This data sheet and its contents (the "Information") belong to the members of the Premier Farnell group of companies (the "Group") or are licensed to it. No licence is granted for the use of it other than for information purposes in connection with the products to which it relates. No licence of any intellectual property rights is granted. The Information is subject to change without notice and replaces all data sheets previously supplied. The Information supplied is believed to be accurate but the Group assumes no responsibility for its accuracy or completeness, any error in or omission from it or for any use made of it. Users of this data sheet should check for themselves the Information and the suitability of the products for their purpose and not make any assumptions based on information included or omitted. Liability for loss or damage resulting from any reliance on the Information or use of it (including liability resulting from negligence or where the Group was aware of the possibility of such loss or damage arising) is excluded. This will not operate to limit or restrict the Group's liability for death or personal injury resulting from its negligence. Multicomp is the registered trademark of the Group. © Premier Farnell plc 2012.