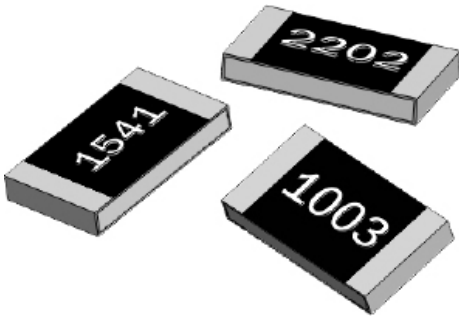


High Power Thick Film Chip Resistor 2512

multicomp PRO

**RoHS
Compliant**

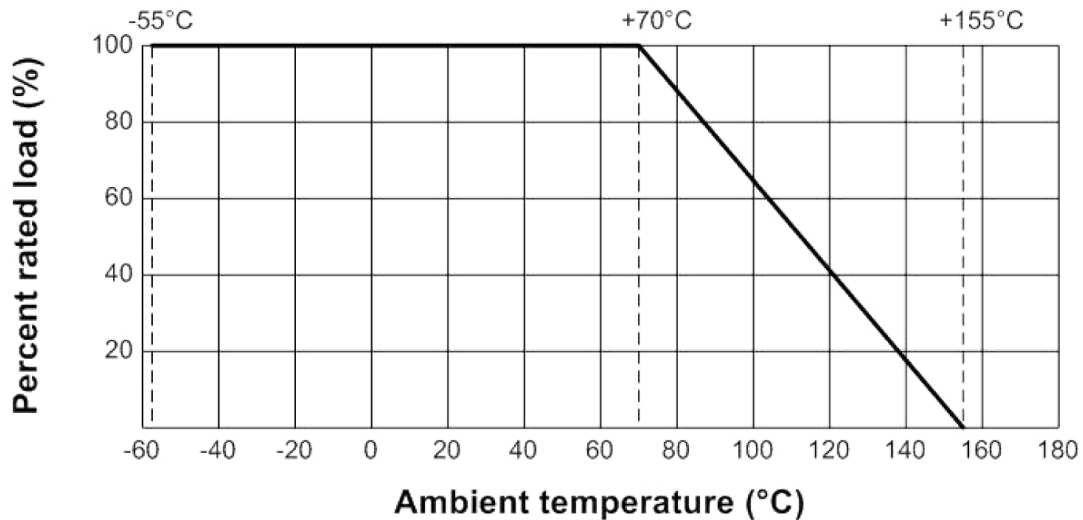


Specifications:

Type	: MCHP12
Power Rating at 70°C	: 2W
Working Voltage	: 250V Max.
Overload Voltage	: 500V Max.
Dielectric Withstanding Voltage	: 500V
Temperature Range	: -55°C to +155°C
Ambient Temperature	: 70°C
Nominal Resistance	: 10Ω

Power Rating:

Resistors shall have a power rating based on continuous load operation at an ambient temperature of C 70°C. For temperature in excess of 70°C, The load shall be derate as shown in figure.

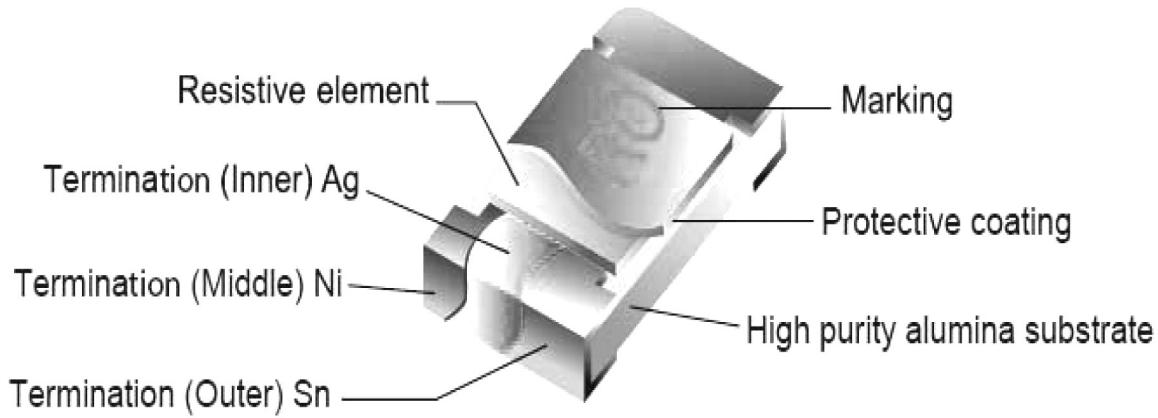


Nominal Resistance:

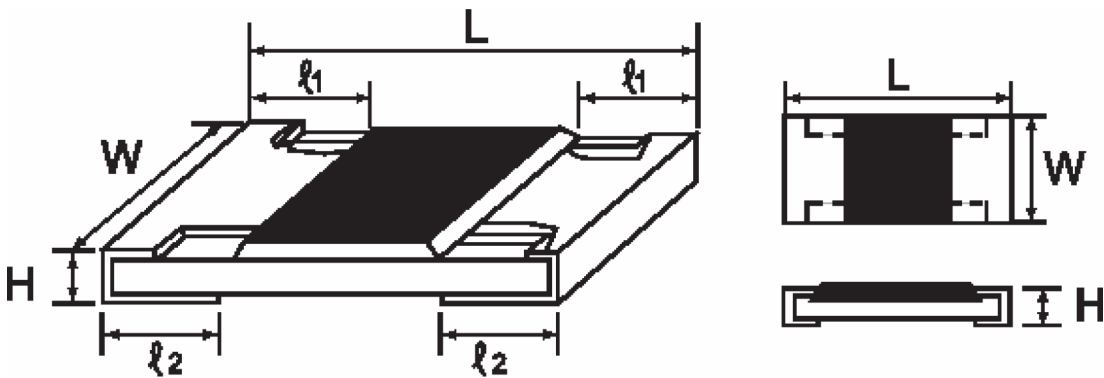
Effective figures of nominal resistance shall be in accordance with E-96 series E-96 series for 1%.

High Power Thick Film Chip Resistor 2512

Construction:



Dimensions:



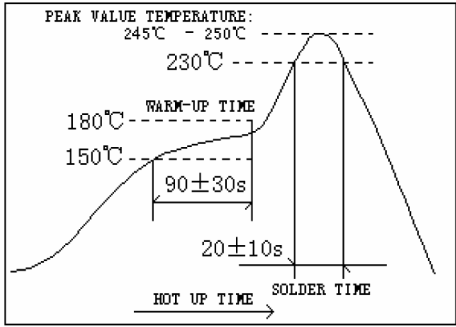
Type	L ±0.1	W ±0.15	H ±0.1	l1 ±0.25	l2 ±0.2
MCHP12 (2512)	6.35	3.2	0.55	0.6	1.8

Dimensions : Millimetres

High Power Thick Film Chip Resistor 2512



Performance specification:

Characteristics	Limits	Test Methods (JIS C 5201-1)										
Dielectric withstanding voltage	No evidence of flashover mechanical damage, arcing or insulation break down	Clamped in the trough of a 90°C metallic v-block and shall be tested at ac potential respectively specified in the type for 60-70 seconds										
Temperature Coefficient	1Ω~10Ω $\leq \pm 200\text{PPM}/^\circ\text{C}$ 11Ω~10MΩ $\leq \pm 100\text{PPM}/^\circ\text{C}$	Natural resistance change per temp. degree centi- grade. R2-R1 _____ $\times 10^6$ (PPM/°C) R1(t2-t1) R1: Resistance value at room temperature (T1) R2: Resistance value at room temp. plus 100 °C(T2) Test pattern: room temp. (T1), room temp. +100°C(T2)										
Short time overload	Resistance change rate is $\pm 1\%$ (1% + 0.1Ω) Max.	Permanent resistance change after the application of a potential of 2.5 times RCWV for 5 seconds										
Solderability	95% coverage Min.	Wave Solder: Test temperature of solder: 245°C $\pm 3^\circ\text{C}$ dipping time in solder: 2-3 seconds. Reflow: 										
Soldering heat	Resistance change rate is: $\pm(1\%+0.05\Omega)$ Max.	Dip the resistor into a solder bath having a temperature of 260°C $\pm 3^\circ\text{C}$ and hold it for 10 ± 1 seconds.										
Temperature cycling	Resistance change rate is $\pm 1\%$ (0.5% + 0.05Ω) Max.	Resistance change after continuous 5 cycles for duty cycle specified below: <table border="1" data-bbox="863 1644 1267 1839"> <thead> <tr> <th>Temperature</th> <th>Time</th> </tr> </thead> <tbody> <tr> <td>-55°C $\pm 3^\circ\text{C}$</td> <td>30 mins</td> </tr> <tr> <td>Room temp.</td> <td>10 to 15 mins</td> </tr> <tr> <td>+155°C $\pm 2^\circ\text{C}$</td> <td>30 mins</td> </tr> <tr> <td>Room temp.</td> <td>10 to 15 mins</td> </tr> </tbody> </table>	Temperature	Time	-55°C $\pm 3^\circ\text{C}$	30 mins	Room temp.	10 to 15 mins	+155°C $\pm 2^\circ\text{C}$	30 mins	Room temp.	10 to 15 mins
Temperature	Time											
-55°C $\pm 3^\circ\text{C}$	30 mins											
Room temp.	10 to 15 mins											
+155°C $\pm 2^\circ\text{C}$	30 mins											
Room temp.	10 to 15 mins											

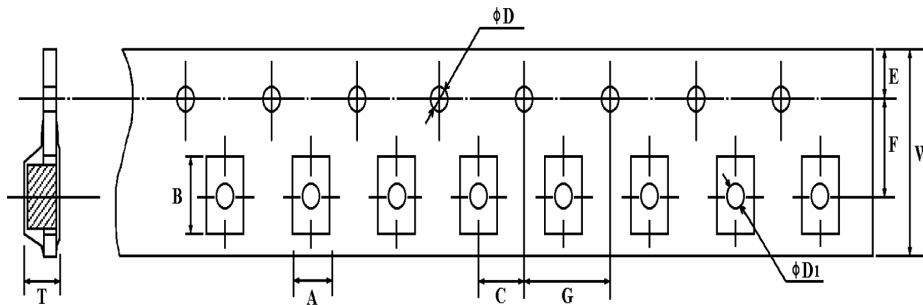


High Power Thick Film Chip Resistor 2512

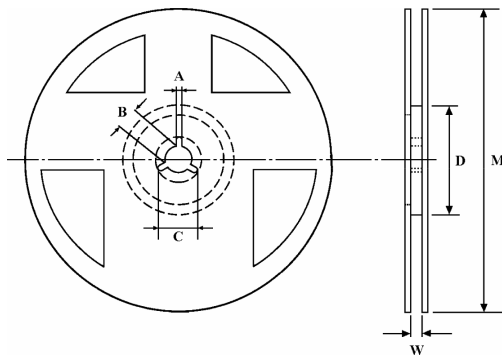


Characteristics	Limits	Test Methods (JIS C 5201-1)
Humidity	Resistance change rate is $\pm 1\%$ ($0.5\% + 0.1\Omega$) Max.	Temporary resistance change after 240 hours exposure in a humidity test chamber controlled at $40\pm 2^\circ\text{C}$ and 90-95% relative humidity
Load life in humidity	Resistance change rate is $\pm 1\%$ ($1\% + 0.1\Omega$) Max.	Resistance change after 1,000 hours (1.5 hours "on", 0.5 hour "off") at RCWV in a humidity chamber controlled at $40^\circ\text{C} \pm 2^\circ\text{C}$ and 90 to 95% relative humidity
Load Life	Resistance change rate is $\pm 1\%$ ($1\% + 0.1\Omega$) Max.	Permanent resistance change after 1,000 hours operating at RCWV, with duty cycle of (1.5 hours "on", 0.5 hour "off") at $70^\circ\text{C} \pm 2^\circ\text{C}$ ambient
Terminal bending	Resistance change rate is $\pm(1\% + 0.05\Omega)$ Max.	Twist of Test Board : Y/X = 3/90mm for 60 seconds

Packing specification:



Type	A ± 0.2	B ± 0.2	C ± 0.05	$\phi D + 0.1 - 0$	E ± 0.10	F ± 0.05	G ± 0.1	W ± 0.20	$\phi D1 + 0.1 - 0$	T ± 0.1
MCHP12 (2512)	3.5	6.7	2	1.5	1.75	5.5	4	12	1.5	1



Dimensions : Millimetres

Type	Quantity Per Reel	A ± 0.5	B ± 0.5	C ± 0.5	D ± 1	M ± 2	W ± 1
MCHP12 (2512)	4,000 Pcs. Reel	2	13.5	21	60	178	13.8

Remark: ϕM 10,000pcs. / Reel = $255 \pm 2\text{mm}$
 20,000pcs. / Reel = $330 \pm 2\text{mm}$

Newark.com/multicomp-pro
 Farnell.com/multicomp-pro
 Element14.com/multicomp-pro



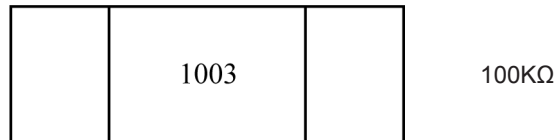
High Power Thick Film Chip Resistor 2512

multicomp PRO

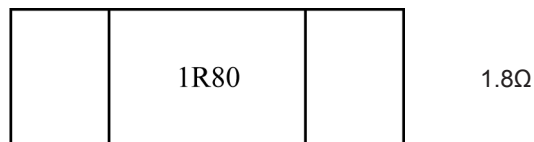
Marking:

A. Marking for E-96 series in 2512 size : 4 Digits

*The first 3 digits are significant figures of resistance and the 4th digit denoted number of zeros.

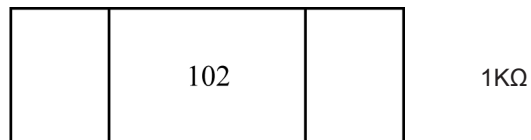


*For ohmic values below 100 Ω , letter "R" is for decimal point.

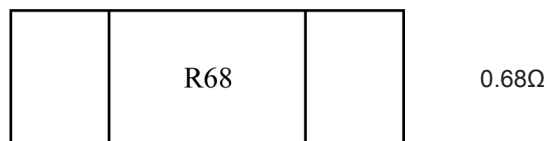


B. Marking for E-24 series in 2512 size : 3 Digits

*The first 2 digits are significant figures of resistance and the 3rd digit denoted number of zeros.



*For ohmic values below 10 Ω , letter "R" is for decimal point.



High Power Thick Film Chip Resistor 2512



Part Number Table

Description	Part Number
Resistor, Thick Film, 10R, 2W, 1%	MCHP122WF100JT4E
Resistor, Thick Film, 11R, 2W, 1%	MCHP122WF110JT4E
Resistor, Thick Film, 12R, 2W, 1%	MCHP122WF120JT4E
Resistor, Thick Film, 13R, 2W, 1%	MCHP122WF130JT4E
Resistor, Thick Film, 15R, 2W, 1%	MCHP122WF150JT4E
Resistor, Thick Film, 16R, 2W, 1%	MCHP122WF160JT4E
Resistor, Thick Film, 18R, 2W, 1%	MCHP122WF180JT4E
Resistor, Thick Film, 20R, 2W, 1%	MCHP122WF200JT4E
Resistor, Thick Film, 22R, 2W, 1%	MCHP122WF220JT4E
Resistor, Thick Film, 24R, 2W, 1%	MCHP122WF240JT4E
Resistor, Thick Film, 27R, 2W, 1%	MCHP122WF270JT4E
Resistor, Thick Film, 30R, 2W, 1%	MCHP122WF300JT4E
Resistor, Thick Film, 33R, 2W, 1%	MCHP122WF330JT4E
Resistor, Thick Film, 36R, 2W, 1%	MCHP122WF360JT4E
Resistor, Thick Film, 39R, 2W, 1%	MCHP122WF390JT4E
Resistor, Thick Film, 43R, 2W, 1%	MCHP122WF430JT4E
Resistor, Thick Film, 47R, 2W, 1%	MCHP122WF470JT4E
Resistor, Thick Film, 51R, 2W, 1%	MCHP122WF510JT4E
Resistor, Thick Film, 56R, 2W, 1%	MCHP122WF560JT4E
Resistor, Thick Film, 62R, 2W, 1%	MCHP122WF620JT4E
Resistor, Thick Film, 68R, 2W, 1%	MCHP122WF680JT4E
Resistor, Thick Film, 75R, 2W, 1%	MCHP122WF750JT4E
Resistor, Thick Film, 82R, 2W, 1%	MCHP122WF820JT4E
Resistor, Thick Film, 91R, 2W, 1%	MCHP122WF910JT4E
Resistor, Thick Film, 100R, 2W, 1%	MCHP122WF1000T4E
Resistor, Thick Film, 110R, 2W, 1%	MCHP122WF1100T4E
Resistor, Thick Film, 120R, 2W, 1%	MCHP122WF1200T4E
Resistor, Thick Film, 130R, 2W, 1%	MCHP122WF1300T4E
Resistor, Thick Film, 150R, 2W, 1%	MCHP122WF1500T4E
Resistor, Thick Film, 160R, 2W, 1%	MCHP122WF1600T4E
Resistor, Thick Film, 180R, 2W, 1%	MCHP122WF1800T4E
Resistor, Thick Film, 200R, 2W, 1%	MCHP122WF2000T4E
Resistor, Thick Film, 220R, 2W, 1%	MCHP122WF2200T4E
Resistor, Thick Film, 240R, 2W, 1%	MCHP122WF2400T4E
Resistor, Thick Film, 270R, 2W, 1%	MCHP122WF2700T4E
Resistor, Thick Film, 300R, 2W, 1%	MCHP122WF3000T4E
Resistor, Thick Film, 330R, 2W, 1%	MCHP122WF3300T4E
Resistor, Thick Film, 360R, 2W, 1%	MCHP122WF3600T4E
Resistor, Thick Film, 390R, 2W, 1%	MCHP122WF3900T4E

Description	Part Number
Resistor, Thick Film, 430R, 2W, 1%	MCHP122WF4300T4E
Resistor, Thick Film, 470R, 2W, 1%	MCHP122WF4700T4E
Resistor, Thick Film, 510R, 2W, 1%	MCHP122WF5100T4E
Resistor, Thick Film, 620R, 2W, 1%	MCHP122WF6200T4E
Resistor, Thick Film, 680R, 2W, 1%	MCHP122WF6800T4E
Resistor, Thick Film, 750R, 2W, 1%	MCHP122WF7500T4E
Resistor, Thick Film, 820R, 2W, 1%	MCHP122WF8200T4E
Resistor, Thick Film, 910R, 2W, 1%	MCHP122WF9100T4E
Resistor, Thick Film, 1K, 2W, 1%	MCHP122WF1001T4E
Resistor, Thick Film, 1K1, 2W, 1%	MCHP122WF1101T4E
Resistor, Thick Film, 1K2, 2W, 1%	MCHP122WF1201T4E
Resistor, Thick Film, 1K3, 2W, 1%	MCHP122WF1301T4E
Resistor, Thick Film, 1K5, 2W, 1%	MCHP122WF1501T4E
Resistor, Thick Film, 1K6, 2W, 1%	MCHP122WF1601T4E
Resistor, Thick Film, 1K8, 2W, 1%	MCHP122WF1801T4E
Resistor, Thick Film, 2K, 2W, 1%	MCHP122WF2001T4E
Resistor, Thick Film, 2K7, 2W, 1%	MCHP122WF2701T4E
Resistor, Thick Film, 3K, 2W, 1%	MCHP122WF3001T4E
Resistor, Thick Film, 3K3, 2W, 1%	MCHP122WF3301T4E
Resistor, Thick Film, 3K6, 2W, 1%	MCHP122WF3601T4E
Resistor, Thick Film, 3K9, 2W, 1%	MCHP122WF3901T4E
Resistor, Thick Film, 4K3, 2W, 1%	MCHP122WF4301T4E
Resistor, Thick Film, 4K7, 2W, 1%	MCHP122WF4701T4E
Resistor, Thick Film, 5K1, 2W, 1%	MCHP122WF5101T4E
Resistor, Thick Film, 5K6, 2W, 1%	MCHP122WF5601T4E
Resistor, Thick Film, 6K2, 2W, 1%	MCHP122WF6201T4E
Resistor, Thick Film, 6K8, 2W, 1%	MCHP122WF6801T4E
Resistor, Thick Film, 7K5, 2W, 1%	MCHP122WF7501T4E
Resistor, Thick Film, 8K2, 2W, 1%	MCHP122WF8201T4E
Resistor, Thick Film, 9K1, 2W, 1%	MCHP122WF9101T4E
Resistor, Thick Film, 10K, 2W, 1%	MCHP122WF1002T4E
Resistor, Thick Film, 11K, 2W, 1%	MCHP122WF1102T4E
Resistor, Thick Film, 12K, 2W, 1%	MCHP122WF1202T4E
Resistor, Thick Film, 13K, 2W, 1%	MCHP122WF1302T4E
Resistor, Thick Film, 15K, 2W, 1%	MCHP122WF1502T4E
Resistor, Thick Film, 16K, 2W, 1%	MCHP122WF1602T4E
Resistor, Thick Film, 18K, 2W, 1%	MCHP122WF1802T4E
Resistor, Thick Film, 20K, 2W, 1%	MCHP122WF2002T4E
Resistor, Thick Film, 22K, 2W, 1%	MCHP122WF2202T4E

Newark.com/multicomp-pro
Farnell.com/multicomp-pro
Element14.com/multicomp-pro



High Power Thick Film Chip Resistor 2512



Description	Part Number
Resistor, Thick Film, 24K, 2W, 1%	MCHP122WF2402T4E
Resistor, Thick Film, 27K, 2W, 1%	MCHP122WF2702T4E
Resistor, Thick Film, 33K, 2W, 1%	MCHP122WF3302T4E
Resistor, Thick Film, 39K, 2W, 1%	MCHP122WF3902T4E
Resistor, Thick Film, 43K, 2W, 1%	MCHP122WF4302T4E
Resistor, Thick Film, 47K, 2W, 1%	MCHP122WF4702T4E
Resistor, Thick Film, 51K, 2W, 1%	MCHP122WF5102T4E
Resistor, Thick Film, 56K, 2W, 1%	MCHP122WF5602T4E
Resistor, Thick Film, 62K, 2W, 1%	MCHP122WF6202T4E
Resistor, Thick Film, 68K, 2W, 1%	MCHP122WF6802T4E
Resistor, Thick Film, 75K, 2W, 1%	MCHP122WF7502T4E
Resistor, Thick Film, 82K, 2W, 1%	MCHP122WF8202T4E
Resistor, Thick Film, 91K, 2W, 1%	MCHP122WF9102T4E
Resistor, Thick Film, 100K, 2W, 1%	MCHP122WF1003T4E
Resistor, Thick Film, 110K, 2W, 1%	MCHP122WF1103T4E
Resistor, Thick Film, 120K, 2W, 1%	MCHP122WF1203T4E
Resistor, Thick Film, 130K, 2W, 1%	MCHP122WF1303T4E
Resistor, Thick Film, 150K, 2W, 1%	MCHP122WF1503T4E
Resistor, Thick Film, 160K, 2W, 1%	MCHP122WF1603T4E

Description	Part Number
Resistor, Thick Film, 180K, 2W, 1%	MCHP122WF1803T4E
Resistor, Thick Film, 200K, 2W, 1%	MCHP122WF2003T4E
Resistor, Thick Film, 220K, 2W, 1%	MCHP122WF2203T4E
Resistor, Thick Film, 240K, 2W, 1%	MCHP122WF2403T4E
Resistor, Thick Film, 300K, 2W, 1%	MCHP122WF3003T4E
Resistor, Thick Film, 330K, 2W, 1%	MCHP122WF3303T4E
Resistor, Thick Film, 360K, 2W, 1%	MCHP122WF3603T4E
Resistor, Thick Film, 390K, 2W, 1%	MCHP122WF3903T4E
Resistor, Thick Film, 430K, 2W, 1%	MCHP122WF4303T4E
Resistor, Thick Film, 470K, 2W, 1%	MCHP122WF4703T4E
Resistor, Thick Film, 510K, 2W, 1%	MCHP122WF5103T4E
Resistor, Thick Film, 560K, 2W, 1%	MCHP122WF5603T4E
Resistor, Thick Film, 620K, 2W, 1%	MCHP122WF6203T4E
Resistor, Thick Film, 680K, 2W, 1%	MCHP122WF6803T4E
Resistor, Thick Film, 750K, 2W, 1%	MCHP122WF7503T4E
Resistor, Thick Film, 820K, 2W, 1%	MCHP122WF8203T4E
Resistor, Thick Film, 910K, 2W, 1%	MCHP122WF9103T4E
Resistor, Thick Film, 1M, 2W, 1%	MCHP122WF1004T4E

Important Notice : This data sheet and its contents (the "Information") belong to the members of the AVNET group of companies (the "Group") or are licensed to it. No licence is granted for the use of it other than for information purposes in connection with the products to which it relates. No licence of any intellectual property rights is granted. The Information is subject to change without notice and replaces all data sheets previously supplied. The Information supplied is believed to be accurate but the Group assumes no responsibility for its accuracy or completeness, any error in or omission from it or for any use made of it. Users of this data sheet should check for themselves the Information and the suitability of the products for their purpose and not make any assumptions based on information included or omitted. Liability for loss or damage resulting from any reliance on the Information or use of it (including liability resulting from negligence or where the Group was aware of the possibility of such loss or damage arising) is excluded. This will not operate to limit or restrict the Group's liability for death or personal injury resulting from its negligence. Multicomp Pro is the registered trademark of Premier Farnell Limited 2019.

Newark.com/multicomp-pro
Farnell.com/multicomp-pro
Element14.com/multicomp-pro

