



Characteristics:

Motor Design	: Reliable Shaded-Pole Motor Construction.
Insulation Resistance	: 500M Ω minimum at 500V DC
Dielectric Strength	: 1800V AC for one second.
Motor Protection	: Impedance protected.
Noise Level	: Measured in a semi-anechoic chamber with background noise level below 15dB(A). The fan is running in free air with the microphone at a distance of one meter from the fan intake.
Tolerance	: \pm 15% on rated power and current.
Air Performance	: Measured by a double chamber. The values are recorded when the fan speed has stabilized at rated voltage.

Specifications:

Rated Voltage	: 220V AC to 240V AC, 50/60Hz
Operating Voltage Range	: 185V AC to 245V AC
Starting Voltage	: 185V AC (25°C Power On/Off)
Rated Speed	: 2300/2150 RPM \pm 10%
Air Delivery	: 78/72 CFM
Static Pressure	: 0.13/0.09 inch-H ₂ O
Rated Current	: 0.05/0.06 Amp
Rated Power	: 10/10 Watts
Noise Level	: 39/37 dB(A)
Direction of Rotation	: Counter-clockwise viewed from front of fan blade
Operating Temperature	: -10°C to +70°C
Storage Temperature	: -40°C to +70°C
Bearing System	: Precision ball bearing system
Weight	: 550g
Protection	: Automatic Restart Capability Note: In a situation where the fan is locked by an external force while the electricity is on, an increase in coil temperature will be prevented by temporarily turning off the electrical power to the motor. The fan will automatically restart when the locked rotor condition is released. Polarity Protection

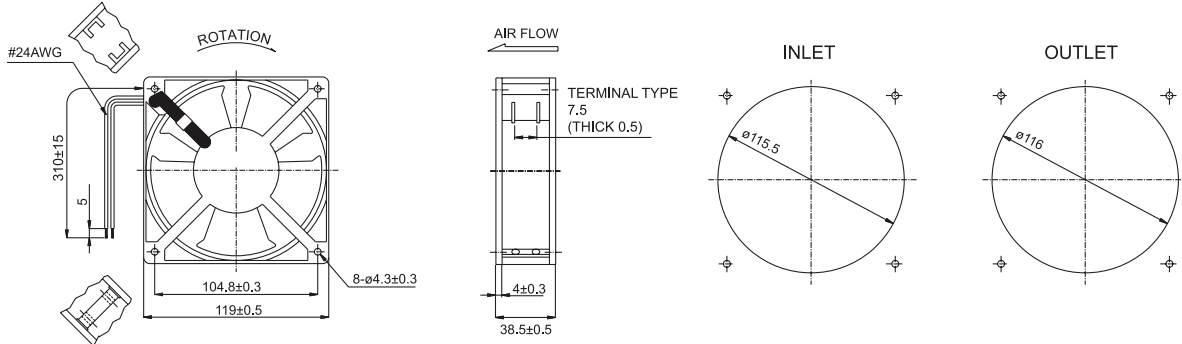
Material

Frame	: Die-Cast Aluminium
Impeller	: Thermoplastic PBT of UL 94V-0
Lead Wire	: UL3266, 24 AWG, Grey

Axial AC Fan

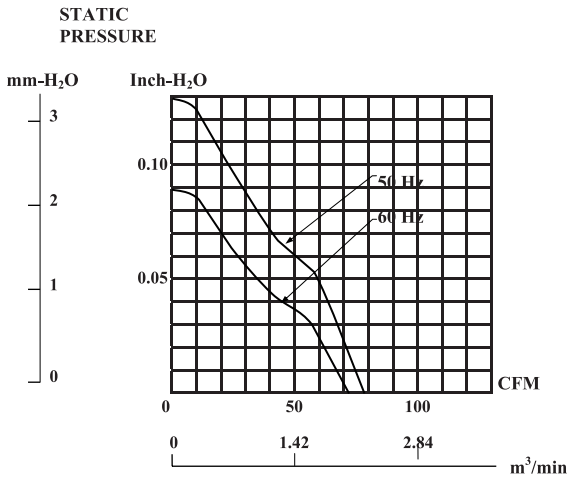


External Dimensions:



Dimensions : Millimetres

Performance Curves:



Part Number Table

Description	Part Number
Axial AC Fan, 120mm × 120mm × 38mm	MCDP203A 2123LBL.GN

Important Notice : This data sheet and its contents (the "Information") belong to the members of the Premier Farnell group of companies (the "Group") or are licensed to it. No licence is granted for the use of it other than for information purposes in connection with the products to which it relates. No licence of any intellectual property rights is granted. The Information is subject to change without notice and replaces all data sheets previously supplied. The Information supplied is believed to be accurate but the Group assumes no responsibility for its accuracy or completeness, any error in or omission from it or for any use made of it. Users of this data sheet should check for themselves the Information and the suitability of the products for their purpose and not make any assumptions based on information included or omitted. Liability for loss or damage resulting from any reliance on the Information or use of it (including liability resulting from negligence or where the Group was aware of the possibility of such loss or damage arising) is excluded. This will not operate to limit or restrict the Group's liability for death or personal injury resulting from its negligence. Multicomp is the registered trademark of the Group. © Premier Farnell Limited 2016.

www.element14.com
www.farnell.com
www.newark.com

