



Contact Data

Contact Form	: 2 form C
Contact Material	: Ag Alloy
Contact Rating	: Resistive: 5A 250V AC/24V DC, TV-5 Inductive: 5A 250V AC/24V DC (Cos Ø = 0.4, L/R = 7ms)
Max. Switching Voltage	: 250V AC / 24V DC
Max. Switching Current	: 5A
Max. Switching Power	: 1250VA, 120W
Min. Switching Load	: 5V DC, 100mA
Max. Contact Resistance	: 50mΩ (6V DC 0.1A)

Life

Electrical	: 100,000 operations 20,000 operations (COS Ø=0.4, L/R = 7ms).
Mechanical	: 10,000,000 operations

General Data

Min. Insulation Resistance	: 1000MΩ 500V DC
Dielectric Strength	: 1000V AC, 1 min between open contacts 4000V AC, 1 min between coil and contacts.
Operate Time	: Maximum 15ms.
Release Time	: Maximum 8ms.
Operate Temperature	: -30 to +55°C (720mW) -30 to +70°C (540mW)

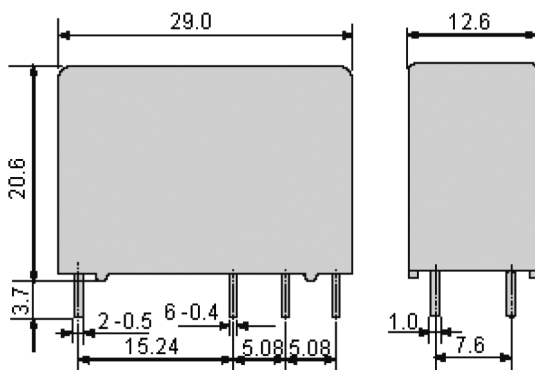
Shock Resistance

Endurance	: 1000m/s ²
Misoperation	: 100m/s ²

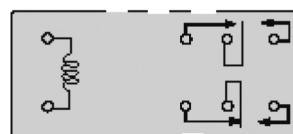
Vibration Resistance

Endurance	: 10 to 55Hz, 1.5mm double amplitude
Misoperation	: 10 to 55Hz, 1.5mm double amplitude
Humidity	: 35% to 95%RH, +40°C

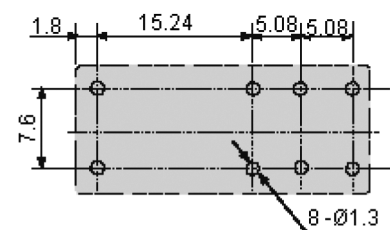
Diagram



Wiring Diagrams
(Bottom View)

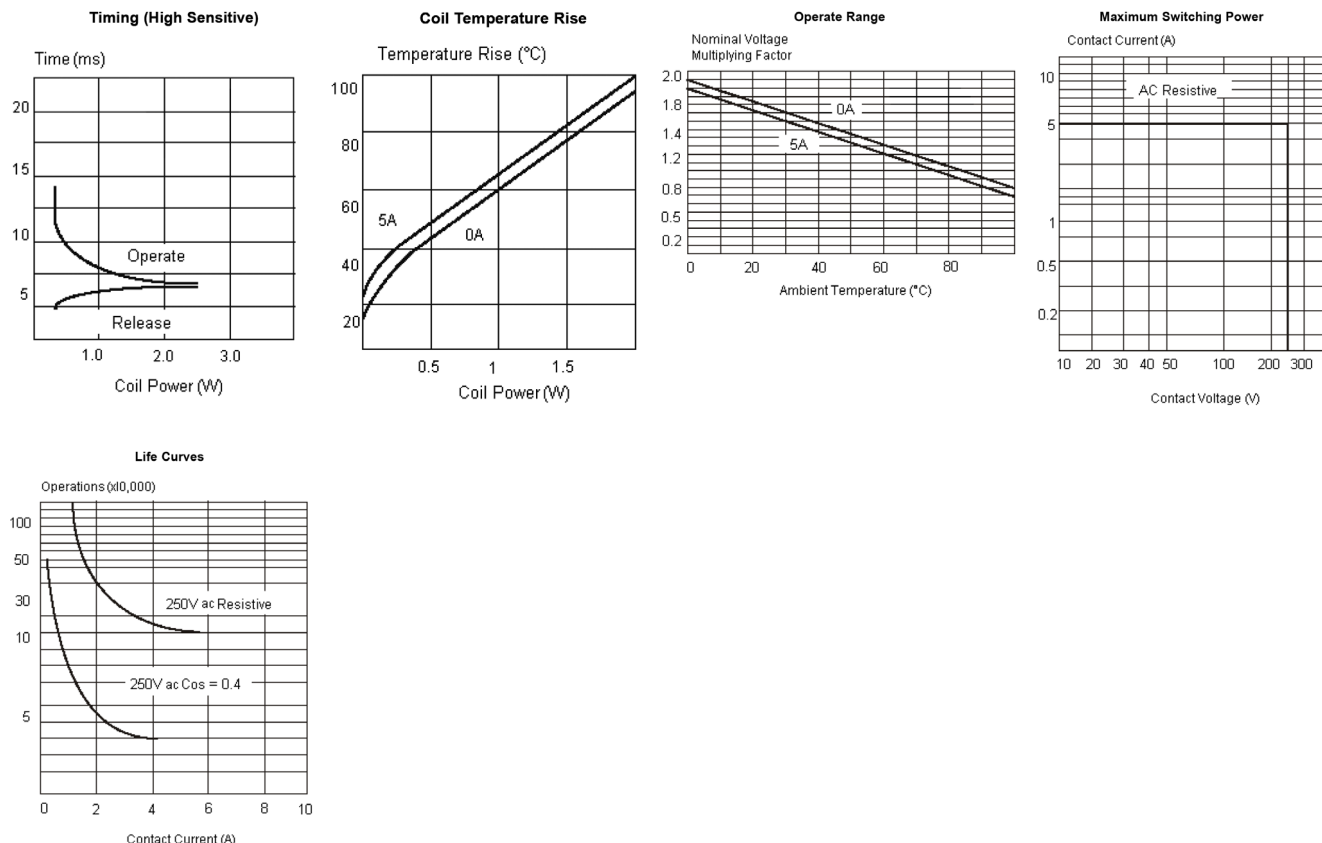


Mounting Hole
Layout (Bottom View)



Dimensions : Millimetres

Characteristic Chart Data



Coil Data Chart 20°C

Nominal Voltage V DC	Coil Resistance $\Omega \pm 10\%$	Operate Voltage $\leq V$ DC	Release Voltage $\geq V$ DC	Coil Power	High Sensitivity Coil Power	Enclosure	Contact Form	Part Number
12	267	9	1.2	540mW	540mW	Plastic Sealed Type	2 form C	MC25117
24	1067	18	2.4					MC25123
48	4267	36	4.8					MC25130

Important Notice : This data sheet and its contents (the "Information") belong to the members of the AVNET group of companies (the "Group") or are licensed to it. No licence is granted for the use of it other than for information purposes in connection with the products to which it relates. No licence of any intellectual property rights is granted. The Information is subject to change without notice and replaces all data sheets previously supplied. The Information supplied is believed to be accurate but the Group assumes no responsibility for its accuracy or completeness, any error in or omission from it or for any use made of it. Users of this data sheet should check for themselves the Information and the suitability of the products for their purpose and not make any assumptions based on information included or omitted. Liability for loss or damage resulting from any reliance on the Information or use of it (including liability resulting from negligence or where the Group was aware of the possibility of such loss or damage arising) is excluded. This will not operate to limit or restrict the Group's liability for death or personal injury resulting from its negligence. Multicomp Pro is the registered trademark of Premier Farnell Limited 2019.