

**RoHS  
Compliant**

## Specifications

### Electrical

Frequency Range : DC-300GHz  
 Nominal Impedance : 50Ω  
 Working Voltage : 500V Max.  
 Proof Voltage : 1,500 Volts  
 VSWR : 1.3 Maximum

### Materials

Bodies : Brass  
 Centre Contact : Brass  
 Insulation : PTFE

### Mechanical

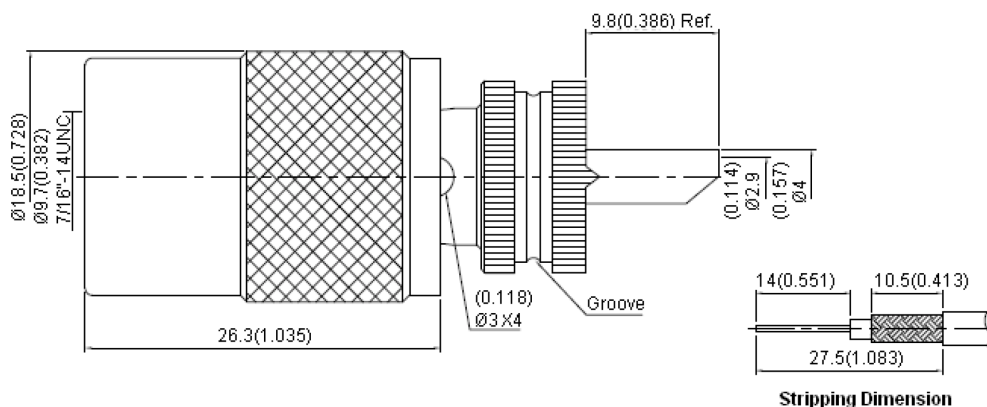
Cable Attachment : Outer: Crimp, Inner: Solder/Crimp

### Environmental

Operating Temperature Range : -55°C to +85°C



## Diagram



No.	Description	Material	Finish
1	Body	Brass	Silver 70μ" Min.
2	Insulation	PTFE	None
3	Centre contact	Brass	Silver 70μ" Min.
4	Shell	Brass	Nickel 100μ" Min.

## Part Number Table

Description	Part Number
UHF Straight Plug Twist-On	MC23544

Dimensions : Millimetres (Inches)

**Important Notice** : This data sheet and its contents (the "Information") belong to the members of the AVNET group of companies (the "Group") or are licensed to it. No licence is granted for the use of it other than for information purposes in connection with the products to which it relates. No licence of any intellectual property rights is granted. The Information is subject to change without notice and replaces all data sheets previously supplied. The Information supplied is believed to be accurate but the Group assumes no responsibility for its accuracy or completeness, any error in or omission from it or for any use made of it. Users of this data sheet should check for themselves the Information and the suitability of the products for their purpose and not make any assumptions based on information included or omitted. Liability for loss or damage resulting from any reliance on the Information or use of it (including liability resulting from negligence or where the Group was aware of the possibility of such loss or damage arising) is excluded. This will not operate to limit or restrict the Group's liability for death or personal injury resulting from its negligence. Multicomp Pro is the registered trademark of Premier Farnell Limited 2019.