

1206

Thick Film Chip Resistor



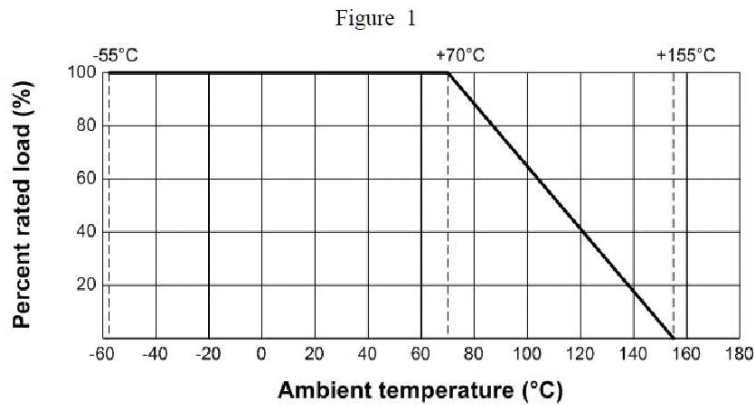
Ratings:

Type	1206
Power Rating	0.125W (1/8W)
Max. Working Voltage	200V
Max. Overload Voltage	400V
Temperature Range	-55°C to +155°C
Ambient Temperature	70°C



Power Rating:

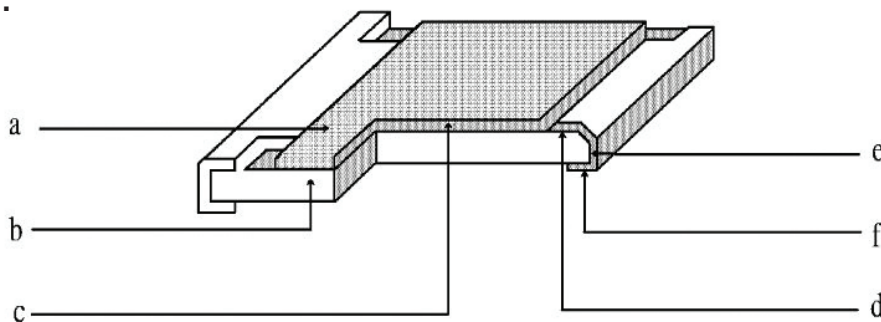
Resistors shall have a power rating based on continuous load operation at an ambient temperature of 70°C. For temperature in excess of 70°C, the load shall be derate as shown in figure 1.



Nominal Resistance

Effective figures of nominal resistance shall be in accordance with E-24 and E-96 series. E-96 series for 1% and E-24 series for 2% and 5%

Construction:



- a. Protective coating : Epoxy
- b. Al₂O₃ high purity alumina substrate : Al 96%
- c. Resistive element : RuO₂, Ag, Glass
- d. Termination (Inner) : Ag/Pd
- e. Termination (Between) : Ni plating film
- f. Termination (Outer) : Sn plating film

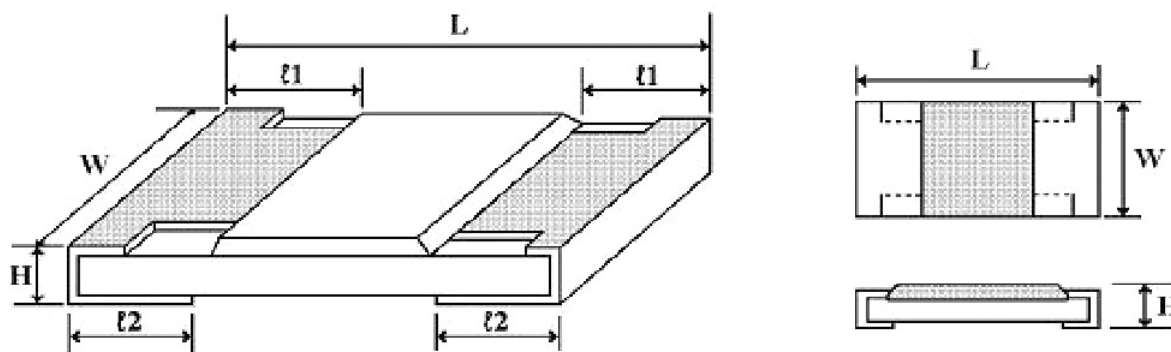


1206

Thick Film Chip Resistor



Power Rating and Dimensions:



Dimension :

Type	Dimension (mm)				
	$L \pm 0.15$	$W + 0.15$ $- 0.1$	$H \pm 0.1$	$l1 \pm 0.2$	$l2 \pm 0.2$
1206	3.1	1.55	0.55	0.45	0.45

Power Rating :

Type	Power Rating at 70°C	Tolerance %	Resistance Range	Standard Series
1206	0.125W (1/8W)	±1	1Ω to 10MΩ	E-96

Marking :

Resistors

Marking for E-96 series in 1206 size : 4 Digits

*The first 3 digits are significant figures of resistance and the 4th digit denoted number of zeros.

Ex.		1003		100KΩ
-----	--	------	--	-------

*For ohmic values below 100 Ω, letter "R" is for decimal point.

Ex.		1R80		1.8Ω
-----	--	------	--	------

1206

Thick Film Chip Resistor



Performance Specifications:

Characteristics	Limits	Test Methods (JIS C 5201-1)
Insulation resistance	1,000MΩ or more	Apply 500V DC between protective coating and termination for 1 min, then measure (Sub-clause 4.6)
Dielectric withstanding voltage	No evidence of flashover mechanical damage, arcing or insulation break down	Apply 500V AC between protective coating and termination for 1 minute (Sub-clause 4.7)
Temperature coefficient	1Ω-10Ω : ± 400 PPM / °C 11Ω-100Ω : ± 200 PPM / °C >100Ω : ± 100 PPM / °C	Natural resistance change per temp. degree centigrade. $\frac{R_2 - R_1}{R_1(t_2 - t_1)} \times 10^6 \text{ (PPM / } ^\circ\text{C)}$ R1: Resistance value at room temperature (t1) R2: Resistance value at room temp. plus 100°C (t2) (Sub-clause 4.8)
Short time overload	Resistance change rate is ± (1% + 0.1Ω) Max.	Permanent resistance change after the application of a potential of 2.5 times RCWV for 5 seconds (Sub-clause 4.13)
Solderability	95 % coverage Min.	Test temperature of solder : 245 ± 3°C Dwell time in solder : 2 to 3 seconds (Sub-clause 4.17)
Soldering temp. reference	Electrical characteristics shall be satisfied. Without distinct deformation in appearance. (95% coverage Min.)	<p>Wave soldering condition: (2 cycles Max.) Pre-heat : 100°C to 120°C, 30 ± 5 sec. Suggestion solder temp. : 235°C to 255°C, 10 sec. (Max.) Peak temp. : 260°C</p> <p>Reflow soldering condition: (2 cycles Max.) Pre-heat : 150°C to 180°C, 90 sec to 120 sec. Suggestion solder temp.: 235°C to 255°C, 20 sec to 40 sec. Peak temp. : 260°C</p> <p>Hand soldering condition: The soldering iron tip temperature should be less than 300°C and maximum contract time should be 5 sec.</p>

1206

Thick Film Chip Resistor

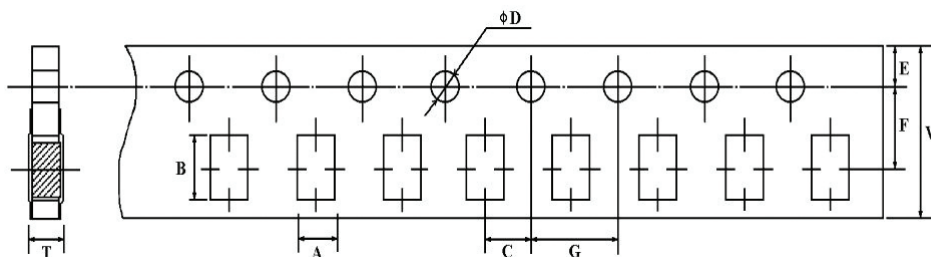


Performance Specifications:

Characteristics	Limits	Test Methods (JIS C 5201-1)															
Soldering Heat	Resistance change rate is: $\pm(1\%+0.05\Omega)$ Max.	Dip the resistor into a solder bath having a temperature of $260^{\circ}\text{C} \pm 3^{\circ}\text{C}$ and hold it for 10 ± 1 seconds. (Sub-clause 4.18)															
Temperature cycling	Resistance change rate is $(0.5\% + 0.05\Omega)$ Max.	Resistance change after continuous 5 cycles for duty cycle specified below : <table border="1"> <thead> <tr> <th>Step</th> <th>Temperature</th> <th>Time</th> </tr> </thead> <tbody> <tr> <td>1</td> <td>$-55^{\circ}\text{C} \pm 3^{\circ}\text{C}$</td> <td>30 mins</td> </tr> <tr> <td>2</td> <td>Room temp.</td> <td>10 to 15 mins</td> </tr> <tr> <td>3</td> <td>$+155^{\circ}\text{C} \pm 2^{\circ}\text{C}$</td> <td>30 mins</td> </tr> <tr> <td>4</td> <td>Room temp.</td> <td>10 to 15 mins</td> </tr> </tbody> </table> (Sub-clause 4.19)	Step	Temperature	Time	1	$-55^{\circ}\text{C} \pm 3^{\circ}\text{C}$	30 mins	2	Room temp.	10 to 15 mins	3	$+155^{\circ}\text{C} \pm 2^{\circ}\text{C}$	30 mins	4	Room temp.	10 to 15 mins
Step	Temperature	Time															
1	$-55^{\circ}\text{C} \pm 3^{\circ}\text{C}$	30 mins															
2	Room temp.	10 to 15 mins															
3	$+155^{\circ}\text{C} \pm 2^{\circ}\text{C}$	30 mins															
4	Room temp.	10 to 15 mins															
Load life in humidity	Resistance change rate is $\pm (1\% + 0.1\Omega)$ Max.	Resistance change after 1,000 hours (1.5 hours "on", 0.5 hour "off") at RCWV in a humidity chamber controlled at $40^{\circ}\text{C} \pm 2^{\circ}\text{C}$ and 90 to 95 % relative humidity (Sub-clause 4.24.2.1)															
Load Life	Resistance change rate is $\pm (1\% + 0.1\Omega)$ Max.	Permanent resistance change after 1,000 hours operating at RCWV, with duty cycle of 1.5 hours "on", 0.5 hour "off") at $70^{\circ}\text{C} \pm 2^{\circ}\text{C}$ ambient Sub-clause 4.25.1)															
Terminal bending	Resistance change rate is $\pm (1\% + 0.05\Omega)$ Max.	Twist of Test Board : Y/X = 5/90 mm for 10 seconds (Sub-clause 4.33)															

Packing specification:

* Taping Dimension (mm)



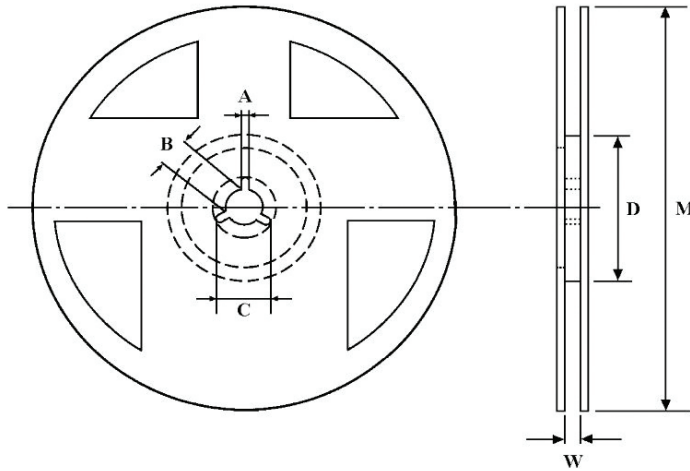
Type	A ± 0.2	B ± 0.2	C ± 0.05	$\phi D \begin{smallmatrix} +0.1 \\ -0 \end{smallmatrix}$	E ± 0.1	F ± 0.05	G ± 0.1	W ± 0.2	T ± 0.1
1206	2	3.6	2	1.5	1.75	3.5	4	8	0.81

1206

Thick Film Chip Resistor



* Reel Dimension (mm)



Type	Quantity Per Reel	A ± 0.5	B ± 0.5	C ± 0.5	D ± 1	M ± 2	W ± 1
1206	5,000 pcs. / Reel	2	13	21	60	178	10

Remark : \varnothing M 10,000 pcs. / Reel = 255 ± 2 mm
 20,000 pcs. / Reel = 330 ± 2 mm

Part Number Table

Description	Part Number
Resistor, 1206, 1R0, 1%	MC0.125W12061%1R0
Resistor, 1206, 1R5, 1%	MC0.125W12061%1R5
Resistor, 1206, 1R10, 1%	MC0.125W12061%1R10
Resistor, 1206, 1R15, 1%	MC0.125W12061%1R15
Resistor, 1206, 1R20, 1%	MC0.125W12061%1R20
Resistor, 1206, 1R21, 1%	MC0.125W12061%1R21
Resistor, 1206, 1R27, 1%	MC0.125W12061%1R27
Resistor, 1206, 1R30, 1%	MC0.125W12061%1R30
Resistor, 1206, 1R33, 1%	MC0.125W12061%1R33
Resistor, 1206, 1R40, 1%	MC0.125W12061%1R40
Resistor, 1206, 1R47, 1%	MC0.125W12061%1R47
Resistor, 1206, 1R50, 1%	MC0.125W12061%1R50
Resistor, 1206, 1R54, 1%	MC0.125W12061%1R54
Resistor, 1206, 1R60, 1%	MC0.125W12061%1R60
Resistor, 1206, 1R62, 1%	MC0.125W12061%1R62

Description	Part Number
Resistor, 1206, 1R69, 1%	MC0.125W12061%1R69
Resistor, 1206, 1R78, 1%	MC0.125W12061%1R78
Resistor, 1206, 1R80, 1%	MC0.125W12061%1R80
Resistor, 1206, 1R87, 1%	MC0.125W12061%1R87
Resistor, 1206, 1R96, 1%	MC0.125W12061%1R96
Resistor, 1206, 2R0, 1%	MC0.125W12061%2R0
Resistor, 1206, 2R15, 1%	MC0.125W12061%2R15
Resistor, 1206, 2R20, 1%	MC0.125W12061%2R20
Resistor, 1206, 2R26, 1%	MC0.125W12061%2R26
Resistor, 1206, 2R37, 1%	MC0.125W12061%2R37
Resistor, 1206, 2R40, 1%	MC0.125W12061%2R40
Resistor, 1206, 2R49, 1%	MC0.125W12061%2R49
Resistor, 1206, 2R61, 1%	MC0.125W12061%2R61
Resistor, 1206, 2R70, 1%	MC0.125W12061%2R70
Resistor, 1206, 2R74, 1%	MC0.125W12061%2R74

www.element14.com
 www.farnell.com
 www.newark.com



1206

Thick Film Chip Resistor



Description	Part Number
Resistor, 1206, 2R87, 1%	MC0.125W12061%2R87
Resistor, 1206, 3R0, 1%	MC0.125W12061%3R0
Resistor, 1206, 3R16, 1%	MC0.125W12061%3R16
Resistor, 1206, 3R30, 1%	MC0.125W12061%3R30
Resistor, 1206, 3R32, 1%	MC0.125W12061%3R32
Resistor, 1206, 3R48, 1%	MC0.125W12061%3R48
Resistor, 1206, 3R60, 1%	MC0.125W12061%3R60
Resistor, 1206, 3R65, 1%	MC0.125W12061%3R65
Resistor, 1206, 3R90, 1%	MC0.125W12061%3R90
Resistor, 1206, 4R22, 1%	MC0.125W12061%4R22
Resistor, 1206, 4R30, 1%	MC0.125W12061%4R30
Resistor, 1206, 4R42, 1%	MC0.125W12061%4R42
Resistor, 1206, 4R64, 1%	MC0.125W12061%4R64
Resistor, 1206, 4R70, 1%	MC0.125W12061%4R70
Resistor, 1206, 5R10, 1%	MC0.125W12061%5R10
Resistor, 1206, 5R11, 1%	MC0.125W12061%5R11
Resistor, 1206, 5R36, 1%	MC0.125W12061%5R36
Resistor, 1206, 5R60, 1%	MC0.125W12061%5R60
Resistor, 1206, 5R62, 1%	MC0.125W12061%5R62
Resistor, 1206, 5R90, 1%	MC0.125W12061%5R90
Resistor, 1206, 6R19, 1%	MC0.125W12061%6R19
Resistor, 1206, 6R20, 1%	MC0.125W12061%6R20
Resistor, 1206, 6R80, 1%	MC0.125W12061%6R80
Resistor, 1206, 6R81, 1%	MC0.125W12061%6R81
Resistor, 1206, 7R15, 1%	MC0.125W12061%7R15
Resistor, 1206, 7R50, 1%	MC0.125W12061%7R50
Resistor, 1206, 7R87, 1%	MC0.125W12061%7R87
Resistor, 1206, 8R20, 1%	MC0.125W12061%8R20
Resistor, 1206, 8R25, 1%	MC0.125W12061%8R25
Resistor, 1206, 8R66, 1%	MC0.125W12061%8R66
Resistor, 1206, 9R10, 1%	MC0.125W12061%9R10
Resistor, 1206, 9R53, 1%	MC0.125W12061%9R53
Resistor, 1206, 10R5, 1%	MC0.125W12061%10R5
Resistor, 1206, 11R5, 1%	MC0.125W12061%11R5
Resistor, 1206, 12R1, 1%	MC0.125W12061%12R1
Resistor, 1206, 12R7, 1%	MC0.125W12061%12R7
Resistor, 1206, 13R0, 1%	MC0.125W12061%13R0

Description	Part Number
Resistor, 1206, 13R3, 1%	MC0.125W12061%13R3
Resistor, 1206, 14R0, 1%	MC0.125W12061%14R0
Resistor, 1206, 14R7, 1%	MC0.125W12061%14R7
Resistor, 1206, 15R4, 1%	MC0.125W12061%15R4
Resistor, 1206, 16R2, 1%	MC0.125W12061%16R2
Resistor, 1206, 16R9, 1%	MC0.125W12061%16R9
Resistor, 1206, 17R8, 1%	MC0.125W12061%17R8
Resistor, 1206, 18R7, 1%	MC0.125W12061%18R7
Resistor, 1206, 19R6, 1%	MC0.125W12061%19R6
Resistor, 1206, 20R5, 1%	MC0.125W12061%20R5
Resistor, 1206, 21R5, 1%	MC0.125W12061%21R5
Resistor, 1206, 22R6, 1%	MC0.125W12061%22R6
Resistor, 1206, 23R7, 1%	MC0.125W12061%23R7
Resistor, 1206, 24R9, 1%	MC0.125W12061%24R9
Resistor, 1206, 26R1, 1%	MC0.125W12061%26R1
Resistor, 1206, 27R4, 1%	MC0.125W12061%27R4
Resistor, 1206, 28R7, 1%	MC0.125W12061%28R7
Resistor, 1206, 30R1, 1%	MC0.125W12061%30R1
Resistor, 1206, 31R6, 1%	MC0.125W12061%31R6
Resistor, 1206, 33R2, 1%	MC0.125W12061%33R2
Resistor, 1206, 34R8, 1%	MC0.125W12061%34R8
Resistor, 1206, 36R5, 1%	MC0.125W12061%36R5
Resistor, 1206, 38R3, 1%	MC0.125W12061%38R3
Resistor, 1206, 40R2, 1%	MC0.125W12061%40R2
Resistor, 1206, 42R2, 1%	MC0.125W12061%42R2
Resistor, 1206, 43R0, 1%	MC0.125W12061%43R0
Resistor, 1206, 44R2, 1%	MC0.125W12061%44R2
Resistor, 1206, 46R4, 1%	MC0.125W12061%46R4
Resistor, 1206, 48R7, 1%	MC0.125W12061%48R7
Resistor, 1206, 49R9, 1%	MC0.125W12061%49R9
Resistor, 1206, 51R1, 1%	MC0.125W12061%51R1
Resistor, 1206, 53R6, 1%	MC0.125W12061%53R6
Resistor, 1206, 56R2, 1%	MC0.125W12061%56R2
Resistor, 1206, 59R0, 1%	MC0.125W12061%59R0
Resistor, 1206, 61R9, 1%	MC0.125W12061%61R9
Resistor, 1206, 64R9, 1%	MC0.125W12061%64R9
Resistor, 1206, 68R1, 1%	MC0.125W12061%68R1

1206

Thick Film Chip Resistor



Description	Part Number
Resistor, 1206, 71R5, 1%	MC0.125W12061%71R5
Resistor, 1206, 78R7, 1%	MC0.125W12061%78R7
Resistor, 1206, 82R5, 1%	MC0.125W12061%82R5
Resistor, 1206, 86R6, 1%	MC0.125W12061%86R6
Resistor, 1206, 90R9, 1%	MC0.125W12061%90R9
Resistor, 1206, 95R3, 1%	MC0.125W12061%95R3
Resistor, 1206, 105R, 1%	MC0.125W12061%105R
Resistor, 1206, 115R, 1%	MC0.125W12061%115R
Resistor, 1206, 121R, 1%	MC0.125W12061%121R
Resistor, 1206, 127R, 1%	MC0.125W12061%127R
Resistor, 1206, 133R, 1%	MC0.125W12061%133R
Resistor, 1206, 140R, 1%	MC0.125W12061%140R
Resistor, 1206, 147R, 1%	MC0.125W12061%147R
Resistor, 1206, 154R, 1%	MC0.125W12061%154R
Resistor, 1206, 162R, 1%	MC0.125W12061%162R
Resistor, 1206, 169R, 1%	MC0.125W12061%169R
Resistor, 1206, 178R, 1%	MC0.125W12061%178R
Resistor, 1206, 187R, 1%	MC0.125W12061%187R
Resistor, 1206, 196R, 1%	MC0.125W12061%196R
Resistor, 1206, 205R, 1%	MC0.125W12061%205R
Resistor, 1206, 215R, 1%	MC0.125W12061%215R
Resistor, 1206, 226R, 1%	MC0.125W12061%226R
Resistor, 1206, 237R, 1%	MC0.125W12061%237R
Resistor, 1206, 249R, 1%	MC0.125W12061%249R
Resistor, 1206, 261R, 1%	MC0.125W12061%261R
Resistor, 1206, 274R, 1%	MC0.125W12061%274R
Resistor, 1206, 287R, 1%	MC0.125W12061%287R
Resistor, 1206, 301R, 1%	MC0.125W12061%301R
Resistor, 1206, 316R, 1%	MC0.125W12061%316R
Resistor, 1206, 332R, 1%	MC0.125W12061%332R
Resistor, 1206, 348R, 1%	MC0.125W12061%348R
Resistor, 1206, 365R, 1%	MC0.125W12061%365R
Resistor, 1206, 383R, 1%	MC0.125W12061%383R
Resistor, 1206, 402R, 1%	MC0.125W12061%402R
Resistor, 1206, 422R, 1%	MC0.125W12061%422R
Resistor, 1206, 442R, 1%	MC0.125W12061%442R
Resistor, 1206, 464R, 1%	MC0.125W12061%464R

Description	Part Number
Resistor, 1206, 475R, 1%	MC0.125W12061%475R
Resistor, 1206, 487R, 1%	MC0.125W12061%487R
Resistor, 1206, 536R, 1%	MC0.125W12061%536R
Resistor, 1206, 562R, 1%	MC0.125W12061%562R
Resistor, 1206, 590R, 1%	MC0.125W12061%590R
Resistor, 1206, 619R, 1%	MC0.125W12061%619R
Resistor, 1206, 649R, 1%	MC0.125W12061%649R
Resistor, 1206, 681R, 1%	MC0.125W12061%681R
Resistor, 1206, 715R, 1%	MC0.125W12061%715R
Resistor, 1206, 787R, 1%	MC0.125W12061%787R
Resistor, 1206, 825R, 1%	MC0.125W12061%825R
Resistor, 1206, 866R, 1%	MC0.125W12061%866R
Resistor, 1206, 909R, 1%	MC0.125W12061%909R
Resistor, 1206, 953R, 1%	MC0.125W12061%953R
Resistor, 1206, 1K05, 1%	MC0.125W12061%1K05
Resistor, 1206, 1K15, 1%	MC0.125W12061%1K15
Resistor, 1206, 1K21, 1%	MC0.125W12061%1K21
Resistor, 1206, 1K27, 1%	MC0.125W12061%1K27
Resistor, 1206, 1K33, 1%	MC0.125W12061%1K33
Resistor, 1206, 1K40, 1%	MC0.125W12061%1K40
Resistor, 1206, 1K47, 1%	MC0.125W12061%1K47
Resistor, 1206, 1K54, 1%	MC0.125W12061%1K54
Resistor, 1206, 1K62, 1%	MC0.125W12061%1K62
Resistor, 1206, 1K69, 1%	MC0.125W12061%1K69
Resistor, 1206, 1K78, 1%	MC0.125W12061%1K78
Resistor, 1206, 1K87, 1%	MC0.125W12061%1K87
Resistor, 1206, 1K96, 1%	MC0.125W12061%1K96
Resistor, 1206, 2K05, 1%	MC0.125W12061%2K05
Resistor, 1206, 2K15, 1%	MC0.125W12061%2K15
Resistor, 1206, 2K26, 1%	MC0.125W12061%2K26
Resistor, 1206, 2K37, 1%	MC0.125W12061%2K37
Resistor, 1206, 2K49, 1%	MC0.125W12061%2K49
Resistor, 1206, 2K61, 1%	MC0.125W12061%2K61
Resistor, 1206, 2K74, 1%	MC0.125W12061%2K74
Resistor, 1206, 2K87, 1%	MC0.125W12061%2K87
Resistor, 1206, 3K01, 1%	MC0.125W12061%3K01
Resistor, 1206, 3K16, 1%	MC0.125W12061%3K16

1206

Thick Film Chip Resistor



Description	Part Number
Resistor, 1206, 3K32, 1%	MC0.125W12061%3K32
Resistor, 1206, 3K48, 1%	MC0.125W12061%3K48
Resistor, 1206, 3K65, 1%	MC0.125W12061%3K65
Resistor, 1206, 3K83, 1%	MC0.125W12061%3K83
Resistor, 1206, 4K02, 1%	MC0.125W12061%4K02
Resistor, 1206, 4K22, 1%	MC0.125W12061%4K22
Resistor, 1206, 4K42, 1%	MC0.125W12061%4K42
Resistor, 1206, 4K64, 1%	MC0.125W12061%4K64
Resistor, 1206, 4K75, 1%	MC0.125W12061%4K75
Resistor, 1206, 4K87, 1%	MC0.125W12061%4K87
Resistor, 1206, 4K99, 1%	MC0.125W12061%4K99
Resistor, 1206, 5K11, 1%	MC0.125W12061%5K11
Resistor, 1206, 5K36, 1%	MC0.125W12061%5K36
Resistor, 1206, 5K62, 1%	MC0.125W12061%5K62
Resistor, 1206, 5K90, 1%	MC0.125W12061%5K90
Resistor, 1206, 6K04, 1%	MC0.125W12061%6K04
Resistor, 1206, 6K19, 1%	MC0.125W12061%6K19
Resistor, 1206, 6K49, 1%	MC0.125W12061%6K49
Resistor, 1206, 6K81, 1%	MC0.125W12061%6K81
Resistor, 1206, 7K15, 1%	MC0.125W12061%7K15
Resistor, 1206, 7K87, 1%	MC0.125W12061%7K87
Resistor, 1206, 8K25, 1%	MC0.125W12061%8K25
Resistor, 1206, 8K66, 1%	MC0.125W12061%8K66
Resistor, 1206, 9K09, 1%	MC0.125W12061%9K09
Resistor, 1206, 9K53, 1%	MC0.125W12061%9K53
Resistor, 1206, 10K5, 1%	MC0.125W12061%10K5
Resistor, 1206, 11K5, 1%	MC0.125W12061%11K5
Resistor, 1206, 12K1, 1%	MC0.125W12061%12K1
Resistor, 1206, 12K4, 1%	MC0.125W12061%12K4
Resistor, 1206, 12K7, 1%	MC0.125W12061%12K7
Resistor, 1206, 13K3, 1%	MC0.125W12061%13K3
Resistor, 1206, 14K0, 1%	MC0.125W12061%14K0
Resistor, 1206, 14K7, 1%	MC0.125W12061%14K7
Resistor, 1206, 15K4, 1%	MC0.125W12061%15K4
Resistor, 1206, 16K2, 1%	MC0.125W12061%16K2
Resistor, 1206, 16K9, 1%	MC0.125W12061%16K9
Resistor, 1206, 17K8, 1%	MC0.125W12061%17K8

Description	Part Number
Resistor, 1206, 18K7, 1%	MC0.125W12061%18K7
Resistor, 1206, 19K6, 1%	MC0.125W12061%19K6
Resistor, 1206, 20K5, 1%	MC0.125W12061%20K5
Resistor, 1206, 21K5, 1%	MC0.125W12061%21K5
Resistor, 1206, 22K6, 1%	MC0.125W12061%22K6
Resistor, 1206, 23K7, 1%	MC0.125W12061%23K7
Resistor, 1206, 24K9, 1%	MC0.125W12061%24K9
Resistor, 1206, 26K1, 1%	MC0.125W12061%26K1
Resistor, 1206, 27K4, 1%	MC0.125W12061%27K4
Resistor, 1206, 28K7, 1%	MC0.125W12061%28K7
Resistor, 1206, 30K1, 1%	MC0.125W12061%30K1
Resistor, 1206, 31K6, 1%	MC0.125W12061%31K6
Resistor, 1206, 33K2, 1%	MC0.125W12061%33K2
Resistor, 1206, 34K8, 1%	MC0.125W12061%34K8
Resistor, 1206, 36K5, 1%	MC0.125W12061%36K5
Resistor, 1206, 38K3, 1%	MC0.125W12061%38K3
Resistor, 1206, 40K2, 1%	MC0.125W12061%40K2
Resistor, 1206, 42K2, 1%	MC0.125W12061%42K2
Resistor, 1206, 44K2, 1%	MC0.125W12061%44K2
Resistor, 1206, 46K4, 1%	MC0.125W12061%46K4
Resistor, 1206, 47K5, 1%	MC0.125W12061%47K5
Resistor, 1206, 48K7, 1%	MC0.125W12061%48K7
Resistor, 1206, 49K9, 1%	MC0.125W12061%49K9
Resistor, 1206, 51K1, 1%	MC0.125W12061%51K1
Resistor, 1206, 53K6, 1%	MC0.125W12061%53K6
Resistor, 1206, 56K2, 1%	MC0.125W12061%56K2
Resistor, 1206, 59K0, 1%	MC0.125W12061%59K0
Resistor, 1206, 61K9, 1%	MC0.125W12061%61K9
Resistor, 1206, 64K9, 1%	MC0.125W12061%64K9
Resistor, 1206, 68K1, 1%	MC0.125W12061%68K1
Resistor, 1206, 71K5, 1%	MC0.125W12061%71K5
Resistor, 1206, 78K7, 1%	MC0.125W12061%78K7
Resistor, 1206, 82K5, 1%	MC0.125W12061%82K5
Resistor, 1206, 86K6, 1%	MC0.125W12061%86K6
Resistor, 1206, 90K9, 1%	MC0.125W12061%90K9
Resistor, 1206, 95K3, 1%	MC0.125W12061%95K3
Resistor, 1206, 105K, 1%	MC0.125W12061%105K

1206

Thick Film Chip Resistor



Description	Part Number
Resistor, 1206, 115K, 1%	MC0.125W12061%115K
Resistor, 1206, 121K, 1%	MC0.125W12061%121K
Resistor, 1206, 127K, 1%	MC0.125W12061%127K
Resistor, 1206, 133K, 1%	MC0.125W12061%133K
Resistor, 1206, 140K, 1%	MC0.125W12061%140K
Resistor, 1206, 147K, 1%	MC0.125W12061%147K
Resistor, 1206, 162K, 1%	MC0.125W12061%162K
Resistor, 1206, 169K, 1%	MC0.125W12061%169K
Resistor, 1206, 178K, 1%	MC0.125W12061%178K
Resistor, 1206, 187K, 1%	MC0.125W12061%187K
Resistor, 1206, 205K, 1%	MC0.125W12061%205K
Resistor, 1206, 215K, 1%	MC0.125W12061%215K
Resistor, 1206, 226K, 1%	MC0.125W12061%226K
Resistor, 1206, 237K, 1%	MC0.125W12061%237K
Resistor, 1206, 249K, 1%	MC0.125W12061%249K
Resistor, 1206, 261K, 1%	MC0.125W12061%261K
Resistor, 1206, 274K, 1%	MC0.125W12061%274K
Resistor, 1206, 287K, 1%	MC0.125W12061%287K
Resistor, 1206, 301K, 1%	MC0.125W12061%301K
Resistor, 1206, 316K, 1%	MC0.125W12061%316K
Resistor, 1206, 332K, 1%	MC0.125W12061%332K
Resistor, 1206, 348K, 1%	MC0.125W12061%348K
Resistor, 1206, 365K, 1%	MC0.125W12061%365K
Resistor, 1206, 383K, 1%	MC0.125W12061%383K
Resistor, 1206, 402K, 1%	MC0.125W12061%402K
Resistor, 1206, 422K, 1%	MC0.125W12061%422K
Resistor, 1206, 442K, 1%	MC0.125W12061%442K
Resistor, 1206, 464K, 1%	MC0.125W12061%464K
Resistor, 1206, 487K, 1%	MC0.125W12061%487K
Resistor, 1206, 499K, 1%	MC0.125W12061%499K
Resistor, 1206, 511K, 1%	MC0.125W12061%511K
Resistor, 1206, 536K, 1%	MC0.125W12061%536K
Resistor, 1206, 562K, 1%	MC0.125W12061%562K
Resistor, 1206, 590K, 1%	MC0.125W12061%590K
Resistor, 1206, 619K, 1%	MC0.125W12061%619K
Resistor, 1206, 649K, 1%	MC0.125W12061%649K
Resistor, 1206, 681K, 1%	MC0.125W12061%681K

Description	Part Number
Resistor, 1206, 715K, 1%	MC0.125W12061%715K
Resistor, 1206, 787K, 1%	MC0.125W12061%787K
Resistor, 1206, 825K, 1%	MC0.125W12061%825K
Resistor, 1206, 866K, 1%	MC0.125W12061%866K
Resistor, 1206, 909K, 1%	MC0.125W12061%909K
Resistor, 1206, 953K, 1%	MC0.125W12061%953K
Resistor, 1206, 1M10, 1%	MC0.125W12061%1M10
Resistor, 1206, 1M15, 1%	MC0.125W12061%1M15
Resistor, 1206, 1M20, 1%	MC0.125W12061%1M20
Resistor, 1206, 1M21, 1%	MC0.125W12061%1M21
Resistor, 1206, 1M30, 1%	MC0.125W12061%1M30
Resistor, 1206, 1M40, 1%	MC0.125W12061%1M40
Resistor, 1206, 1M47, 1%	MC0.125W12061%1M47
Resistor, 1206, 1M50, 1%	MC0.125W12061%1M50
Resistor, 1206, 1M60, 1%	MC0.125W12061%1M60
Resistor, 1206, 1M62, 1%	MC0.125W12061%1M62
Resistor, 1206, 1M69, 1%	MC0.125W12061%1M69
Resistor, 1206, 1M78, 1%	MC0.125W12061%1M78
Resistor, 1206, 1M80, 1%	MC0.125W12061%1M80
Resistor, 1206, 2M00, 1%	MC0.125W12061%2M00
Resistor, 1206, 2M20, 1%	MC0.125W12061%2M20
Resistor, 1206, 2M26, 1%	MC0.125W12061%2M26
Resistor, 1206, 2M40, 1%	MC0.125W12061%2M40
Resistor, 1206, 2M61, 1%	MC0.125W12061%2M61
Resistor, 1206, 2M70, 1%	MC0.125W12061%2M70
Resistor, 1206, 2M74, 1%	MC0.125W12061%2M74
Resistor, 1206, 2M87, 1%	MC0.125W12061%2M87
Resistor, 1206, 3M00, 1%	MC0.125W12061%3M00
Resistor, 1206, 3M01, 1%	MC0.125W12061%3M01
Resistor, 1206, 3M16, 1%	MC0.125W12061%3M16
Resistor, 1206, 3M30, 1%	MC0.125W12061%3M30
Resistor, 1206, 3M32, 1%	MC0.125W12061%3M32
Resistor, 1206, 3M48, 1%	MC0.125W12061%3M48
Resistor, 1206, 3M60, 1%	MC0.125W12061%3M60
Resistor, 1206, 3M65, 1%	MC0.125W12061%3M65
Resistor, 1206, 3M83, 1%	MC0.125W12061%3M83
Resistor, 1206, 3M90, 1%	MC0.125W12061%3M90

1206

Thick Film Chip Resistor



Description	Part Number
Resistor, 1206, 4M02, 1%	MC0.125W12061%4M02
Resistor, 1206, 4M30, 1%	MC0.125W12061%4M30
Resistor, 1206, 4M70, 1%	MC0.125W12061%4M70
Resistor, 1206, 4M87, 1%	MC0.125W12061%4M87
Resistor, 1206, 5M10, 1%	MC0.125W12061%5M10
Resistor, 1206, 5M11, 1%	MC0.125W12061%5M11
Resistor, 1206, 5M36, 1%	MC0.125W12061%5M36
Resistor, 1206, 5M60, 1%	MC0.125W12061%5M60
Resistor, 1206, 6M19, 1%	MC0.125W12061%6M19
Resistor, 1206, 6M20, 1%	MC0.125W12061%6M20
Resistor, 1206, 6M80, 1%	MC0.125W12061%6M80
Resistor, 1206, 6M81, 1%	MC0.125W12061%6M81
Resistor, 1206, 7M50, 1%	MC0.125W12061%7M50
Resistor, 1206, 8M20, 1%	MC0.125W12061%8M20
Resistor, 1206, 9M10, 1%	MC0.125W12061%9M10
Resistor, 1206, 10M0, 1%	MC0.125W12061%10M0
Resistor, 1206 100R	MC 0.125W 1206 1% 100R
Resistor, 1206 1K	MC 0.125W 1206 1% 1K
Resistor, 10K, 125MW, 1%	MC 0.125W 1206 1% 10K
Resistor, 1206 100K	MC 0.125W 1206 1% 100K
Resistor, 1206 1M	MC 0.125W 1206 1% 1M
Resistor, 1206 10R	MC 0.125W 1206 1% 10R
Resistor, 1206 110R	MC 0.125W 1206 1% 110R
Resistor, 1206 1K1	MC 0.125W 1206 1% 1K1
Resistor, 1206 11K	MC 0.125W 1206 1% 11K
Resistor, 1206 110K	MC 0.125W 1206 1% 110K
Resistor, 1206 11R	MC 0.125W 1206 1% 11R
Resistor, 1206 120R	MC 0.125W 1206 1% 120R
Resistor, 1206 1K2	MC 0.125W 1206 1% 1K2
Resistor, 1206 12K	MC 0.125W 1206 1% 12K
Resistor, 1206 120K	MC 0.125W 1206 1% 120K
Resistor, 1206 12R	MC 0.125W 1206 1% 12R
Resistor, 1206 130R	MC 0.125W 1206 1% 130R
Resistor, 1206 1K3	MC 0.125W 1206 1% 1K3
Resistor, 1206 13K	MC 0.125W 1206 1% 13K
Resistor, 1206 130K	MC 0.125W 1206 1% 130K
Resistor, 1206 150R	MC 0.125W 1206 1% 150R
Resistor, 1206 1K5	MC 0.125W 1206 1% 1K5

Description	Part Number
Resistor, 1206 15K	MC 0.125W 1206 1% 15K
Resistor, 1206 150K	MC 0.125W 1206 1% 150K
Resistor, 1206 15R	MC 0.125W 1206 1% 15R
Resistor, 1206 160R	MC 0.125W 1206 1% 160R
Resistor, 1206 1K6	MC 0.125W 1206 1% 1K6
Resistor, 1206 16K	MC 0.125W 1206 1% 16K
Resistor, 1206 160K	MC 0.125W 1206 1% 160K
Resistor, 1206 16R	MC 0.125W 1206 1% 16R
Resistor, 1206 180R	MC 0.125W 1206 1% 180R
Resistor, 1206 1K8	MC 0.125W 1206 1% 1K8
Resistor, 1206 18K	MC 0.125W 1206 1% 18K
Resistor, 1206 180K	MC 0.125W 1206 1% 180K
Resistor, 1206 18R	MC 0.125W 1206 1% 18R
Resistor, 1206 200R	MC 0.125W 1206 1% 200R
Resistor, 1206 2K	MC 0.125W 1206 1% 2K
Resistor, 1206 20K	MC 0.125W 1206 1% 20K
Resistor, 1206 200K	MC 0.125W 1206 1% 200K
Resistor, 1206 20R	MC 0.125W 1206 1% 20R
Resistor, 1206 220R	MC 0.125W 1206 1% 220R
Resistor, 1206, 2K2, 1%, 125MW	MC 0.125W 1206 1% 2K2
Resistor, 1206 22K	MC 0.125W 1206 1% 22K
Resistor, 1206 220K	MC 0.125W 1206 1% 220K
Resistor, 1206 22R	MC 0.125W 1206 1% 22R
Resistor, 1206 240R	MC 0.125W 1206 1% 240R
Resistor, 1206 2K4	MC 0.125W 1206 1% 2K4
Resistor, 1206 24K	MC 0.125W 1206 1% 24K
Resistor, 1206 240K	MC 0.125W 1206 1% 240K
Resistor, 1206 24R	MC 0.125W 1206 1% 24R
Resistor, 1206 270R	MC 0.125W 1206 1% 270R
Resistor, 1206 2K7	MC 0.125W 1206 1% 2K7
Resistor, 1206 27K	MC 0.125W 1206 1% 27K
Resistor, 1206 270K	MC 0.125W 1206 1% 270K
Resistor, 1206 27R	MC 0.125W 1206 1% 27R
Resistor, 1206 300R	MC 0.125W 1206 1% 300R
Resistor, 1206 3K	MC 0.125W 1206 1% 3K
Resistor, 1206 30K	MC 0.125W 1206 1% 30K

1206

Thick Film Chip Resistor



Description	Part Number
Resistor, 1206 300K	MC 0.125W 1206 1% 300K
Resistor, 1206 30R	MC 0.125W 1206 1% 30R
Resistor, 1206 330R	MC 0.125W 1206 1% 330R
Resistor, 1206 3K3	MC 0.125W 1206 1% 3K3
Resistor, 1206 33K	MC 0.125W 1206 1% 33K
Resistor, 1206 330K	MC 0.125W 1206 1% 330K
Resistor, 1206 33R	MC 0.125W 1206 1% 33R
Resistor, 1206 360R	MC 0.125W 1206 1% 360R
Resistor, 1206 3K6	MC 0.125W 1206 1% 3K6
Resistor, 1206 36K	MC 0.125W 1206 1% 36K
Resistor, 1206 360K	MC 0.125W 1206 1% 360K
Resistor, 1206 36R	MC 0.125W 1206 1% 36R
Resistor, 1206 390R	MC 0.125W 1206 1% 390R
Resistor, 1206 3K9	MC 0.125W 1206 1% 3K9
Resistor, 1206 39K	MC 0.125W 1206 1% 39K
Resistor, 1206 390K	MC 0.125W 1206 1% 390K
Resistor, 1206 39R	MC 0.125W 1206 1% 39R
Resistor, 1206 430R	MC 0.125W 1206 1% 430R
Resistor, 1206 4K3	MC 0.125W 1206 1% 4K3
Resistor, 1206 43K	MC 0.125W 1206 1% 43K
Resistor, 1206 430K	MC 0.125W 1206 1% 430K
Resistor, 1206 43R	MC 0.125W 1206 1% 43R
Resistor, 1206 470R	MC 0.125W 1206 1% 470R
Resistor, 1206 4K7	MC 0.125W 1206 1% 4K7
Resistor, 1206 47K	MC 0.125W 1206 1% 47K
Resistor, 1206 470K	MC 0.125W 1206 1% 470K
Resistor, 1206 47R	MC 0.125W 1206 1% 47R
Resistor, 1206 510R	MC 0.125W 1206 1% 510R
Resistor, 1206 5K1	MC 0.125W 1206 1% 5K1
Resistor, 1206 51K	MC 0.125W 1206 1% 51K
Resistor, 1206 510K	MC 0.125W 1206 1% 510K
Resistor, 1206 51R	MC 0.125W 1206 1% 51R

Description	Part Number
Resistor, 1206 560R	MC 0.125W 1206 1% 560R
Resistor, 1206 5K6	MC 0.125W 1206 1% 5K6
Resistor, 1206 56K	MC 0.125W 1206 1% 56K
Resistor, 1206 560K	MC 0.125W 1206 1% 560K
Resistor, 1206 56R	MC 0.125W 1206 1% 56R
Resistor, 1206 620R	MC 0.125W 1206 1% 620R
Resistor, 1206 6K2	MC 0.125W 1206 1% 6K2
Resistor, 1206 62K	MC 0.125W 1206 1% 62K
Resistor, 1206 620K	MC 0.125W 1206 1% 620K
Resistor, 1206 62R	MC 0.125W 1206 1% 62R
Resistor, 1206 680R	MC 0.125W 1206 1% 680R
Resistor, 1206 6K8	MC 0.125W 1206 1% 6K8
Resistor, 1206 68K	MC 0.125W 1206 1% 68K
Resistor, 1206 680K	MC 0.125W 1206 1% 680K
Resistor, 1206 68R	MC 0.125W 1206 1% 68R
Resistor, 1206 750R	MC 0.125W 1206 1% 750R
Resistor, 1206 7K5	MC 0.125W 1206 1% 7K5
Resistor, 1206 75K	MC 0.125W 1206 1% 75K
Resistor, 1206 750K	MC 0.125W 1206 1% 750K
Resistor, 1206 75R	MC 0.125W 1206 1% 75R
Resistor, 1206 820R	MC 0.125W 1206 1% 820R
Resistor, 1206 8K2	MC 0.125W 1206 1% 8K2
Resistor, 1206 82K	MC 0.125W 1206 1% 82K
Resistor, 1206 820K	MC 0.125W 1206 1% 820K
Resistor, 1206 82R	MC 0.125W 1206 1% 82R
Resistor, 1206 910R	MC 0.125W 1206 1% 910R
Resistor, 1206 9K1	MC 0.125W 1206 1% 9K1
Resistor, 1206 91K	MC 0.125W 1206 1% 91K
Resistor, 1206 910K	MC 0.125W 1206 1% 910K
Resistor, 1206 91R	MC 0.125W 1206 1% 91R
Resistor KIT, 1206, E24, 1%	1206W8FE240KIT
Resistor KIT, 1206 E24 1%	1206W8FE240KIT.

Important Notice : This data sheet and its contents (the "Information") belong to the members of the Premier Farnell group of companies (the "Group") or are licensed to it. No licence is granted for the use of it other than for information purposes in connection with the products to which it relates. No licence of any intellectual property rights is granted. The Information is subject to change without notice and replaces all data sheets previously supplied. The Information supplied is believed to be accurate but the Group assumes no responsibility for its accuracy or completeness, any error in or omission from it or for any use made of it. Users of this data sheet should check for themselves the Information and the suitability of the products for their purpose and not make any assumptions based on information included or omitted. Liability for loss or damage resulting from any reliance on the Information or use of it (including liability resulting from negligence or where the Group was aware of the possibility of such loss or damage arising) is excluded. This will not operate to limit or restrict the Group's liability for death or personal injury resulting from its negligence. Multicomp is the registered trademark of the Group. © Premier Farnell plc 2012.

