

0402

Thick Film Chip Resistor

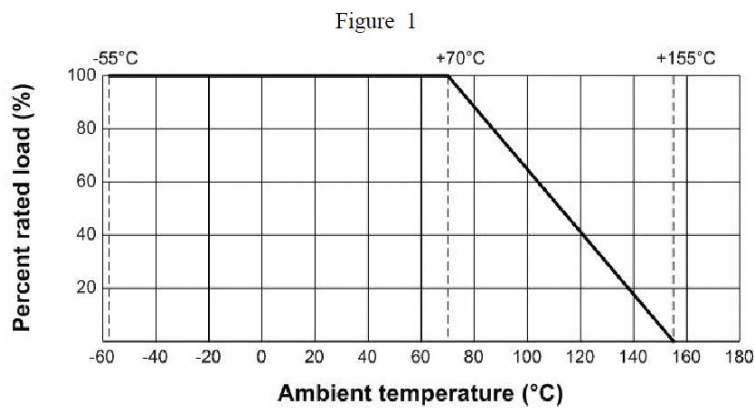


Ratings:

Type	0402
Power Rating	0.0625W
Max. Working Voltage	50V
Max. Overload Voltage	100V
Temperature Range	-55°C to +155°C
Ambient Temperature	70°C

Power Rating:

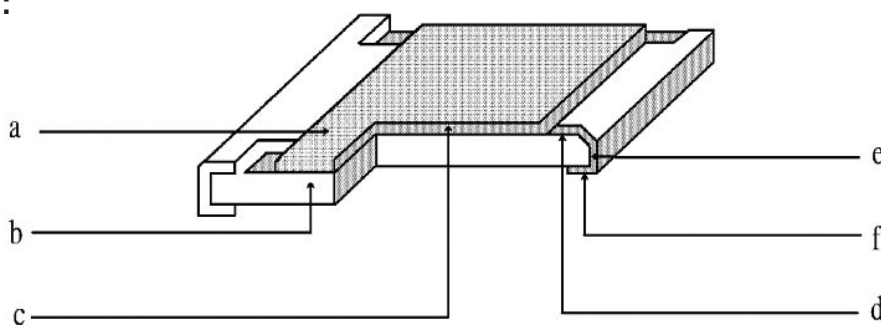
Resistors shall have a power rating based on continuous load operation at an ambient temperature of 70°C. For temperature in excess of 70°C, The load shall be derate as shown in figure 1.



Nominal Resistance

Effective figures of nominal resistance shall be in accordance with E-24 and E-96 series E-96 series for 1% and E-24 series for 2% and 5%

Construction:



- a. Protective coating : Epoxy
- b. Al₂O₃ high purity alumina substrate : Al 96%
- c. Resistive element : RuO₂, Ag, Glass

- d. Termination (Inner) : Ag/Pd
- e. Termination (Between) : Ni plating film
- f. Termination (Outer) : Sn plating film

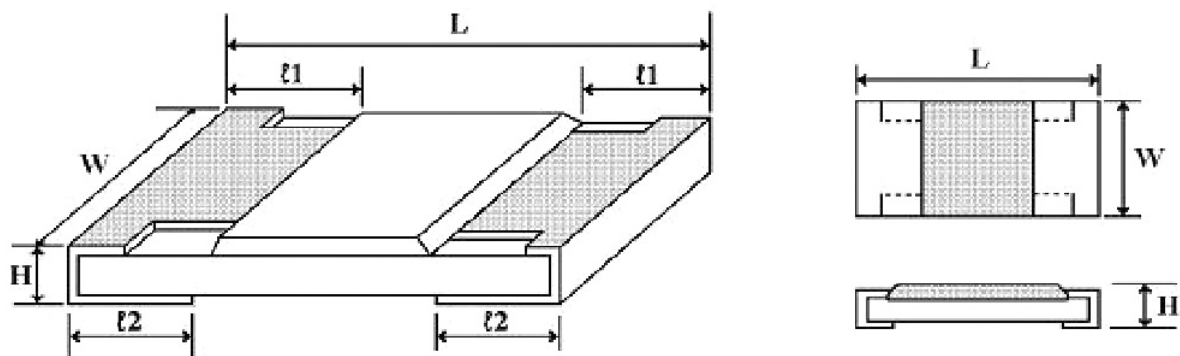


0402

Thick Film Chip Resistor



Power Rating and Dimensions:



Dimension :

Type	Dimension (mm)				
	$L \pm 0.1$	$W \pm 0.05$	$H \pm 0.05$	$l1 \pm 0.1$	$l2 \pm 0.1$
0402	1	0.50	0.35	0.2	0.25

Power Rating :

Type	Power Rating at 70°C	Tolerance %	Resistance Range	Standard Series
0402	0.0625W (1/16W)	± 1	1Ω to 10MΩ	E-96

Marking :

Resistors
Chip Resistors type 0402 No marking

0402 Thick Film Chip Resistor



Performance Specifications:

Characteristics	Limits	Test Methods (JIS C 5201-1)
Insulation resistance	1,000MΩ or more	Apply 500V DC between protective coating and termination for 1 min, then measure (Sub-clause 4.6)
Dielectric withstanding voltage	No evidence of flashover mechanical damage, arcing or insulation break down	Apply 500V AC between protective coating and termination for 1 minute (Sub-clause 4.7)
Temperature coefficient	1Ω-10Ω : ± 400 PPM / °C 11Ω-100Ω : ± 200 PPM / °C >100Ω : ± 100 PPM / °C	Natural resistance change per temp. degree centigrade. $\frac{R_2 - R_1}{R_1(t_2 - t_1)} \times 10^6 \text{ (PPM / } ^\circ\text{C)}$ R1: Resistance value at room temperature (t1) R2: Resistance value at room temp. plus 100°C (t2) (Sub-clause 4.8)
Short time overload	Resistance change rate is ± (1.0% + 0.1Ω) Max.	Permanent resistance change after the application of a potential of 2.5 times RCWV for 5 seconds (Sub-clause 4.13)
Solderability	95 % coverage Min.	Test temperature of solder : 245 ± 3°C Dwell time in solder : 2 to 3 seconds (Sub-clause 4.17)
Soldering temp. reference	Electrical characteristics shall be satisfied. Without distinct deformation in appearance. (95 % coverage Min.)	<p>Wave soldering condition: (2 cycles Max.) Pre-heat : 100°C to 120°C, 30 ± 5 sec. Suggestion solder temp. : 235°C to 255°C, 10 sec. (Max.) Peak temp. : 260°C</p> <p>Reflow soldering condition: (2 cycles Max.) Pre-heat : 150°C to 180°C, 90 sec to 120 sec. Suggestion solder temp.: 235°C to 255°C, 20 sec to 40 sec. Peak temp. : 260°C</p> <p>Hand soldering condition: The soldering iron tip temperature should be less than 300°C and maximum contract time should be 5 sec.</p>

0402

Thick Film Chip Resistor



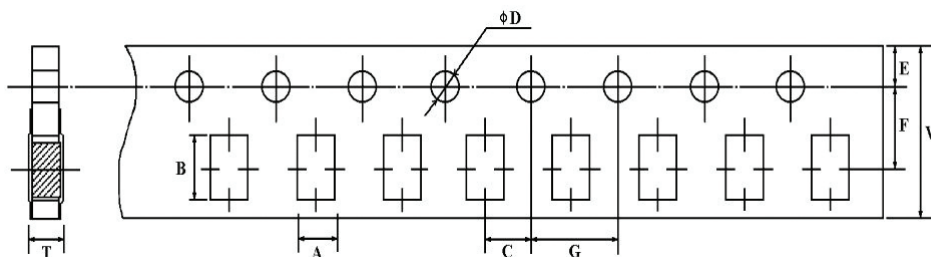
Performance Specifications:

Characteristics	Limits	Test Methods (JIS C 5201-1)															
Soldering Heat	Resistance change rate is: $\pm(1\%+0.05\Omega)$ Max.	Dip the resistor into a solder bath having a temperature of $260^{\circ}\text{C}\pm 3^{\circ}\text{C}$ and hold it for 10 ± 1 seconds. (Sub-clause 4.18)															
Temperature cycling	Resistance change rate is $\pm (0.5\% + 0.05\Omega)$ Max.	Resistance change after continuous 5 cycles for duty cycle specified below : <table border="1"> <thead> <tr> <th>Step</th> <th>Temperature</th> <th>Time</th> </tr> </thead> <tbody> <tr> <td>1</td> <td>$-55^{\circ}\text{C} \pm 3^{\circ}\text{C}$</td> <td>30 mins</td> </tr> <tr> <td>2</td> <td>Room temp.</td> <td>10 to 15 mins</td> </tr> <tr> <td>3</td> <td>$+155^{\circ}\text{C} \pm 2^{\circ}\text{C}$</td> <td>30 mins</td> </tr> <tr> <td>4</td> <td>Room temp.</td> <td>10 to 15 mins</td> </tr> </tbody> </table> (Sub-clause 4.19)	Step	Temperature	Time	1	$-55^{\circ}\text{C} \pm 3^{\circ}\text{C}$	30 mins	2	Room temp.	10 to 15 mins	3	$+155^{\circ}\text{C} \pm 2^{\circ}\text{C}$	30 mins	4	Room temp.	10 to 15 mins
Step	Temperature	Time															
1	$-55^{\circ}\text{C} \pm 3^{\circ}\text{C}$	30 mins															
2	Room temp.	10 to 15 mins															
3	$+155^{\circ}\text{C} \pm 2^{\circ}\text{C}$	30 mins															
4	Room temp.	10 to 15 mins															
Load life in humidity	Resistance change rate is $\pm (1\% + 0.1\Omega)$ Max.	Resistance change after 1,000 hours (1.5 hours "on", 0.5 hour "off") at RCWV in a humidity chamber controlled at $40^{\circ}\text{C} \pm 2^{\circ}\text{C}$ and 90 to 95 % relative humidity (Sub-clause 4.24.2.1)															
Load Life	Resistance change rate is $\pm (1.0\% + 0.1\Omega)$ Max.	Permanent resistance change after 1,000 hours operating at RCWV, with duty cycle of 1.5 hours "on", 0.5 hour "off") at $70^{\circ}\text{C} \pm 2^{\circ}\text{C}$ ambient Sub-clause 4.25.1)															
Terminal bending	Resistance change rate is $\pm (1.0\% + 0.05\Omega)$ Max.	Twist of Test Board : Y/X = 5/90 mm for 10 seconds (Sub-clause 4.33)															

Packing specification:

* Taping Dimension (mm)

A. Paper taping



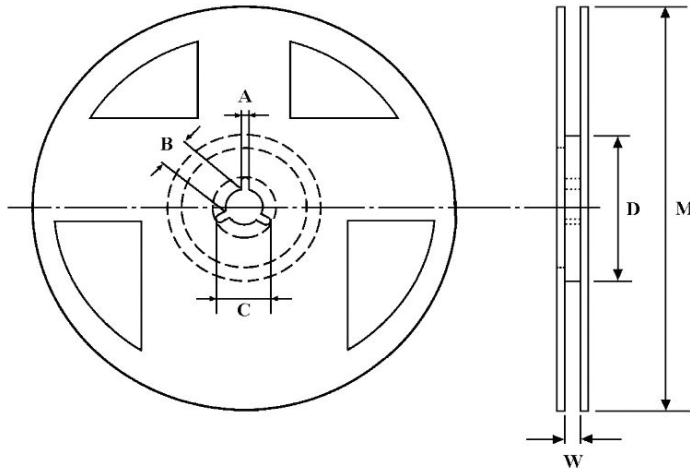
Type	A ± 0.2	B ± 0.2	C ± 0.05	$\phi D \begin{smallmatrix} +0.1 \\ -0 \end{smallmatrix}$	E ± 0.1	F ± 0.05	G ± 0.1	W ± 0.2	T ± 0.1
0402	0.65	1.15	2	1.5	1.75	3.5	4	8	0.45



0402 Thick Film Chip Resistor



* Reel Dimension (mm)



Type	Packaging	Quantity Per Reel	A ± 0.5	B ± 0.5	C ± 0.5	D ± 1	M ± 2	W ± 1
0402	Paper	10,000 pcs. / Reel 15,000 pcs. / Reel	2	13	21	60	178	10

Remark : \varnothing M 20,000 pcs. / Reel = 255 ± 2 mm
40,000pcs. / Reel = 330 ± 2 mm

Part Number Table

Description	Part Number
Resistor, 0R, 62.5MW, 1%	MC 0.0625W 0402 1% 0R
Resistor, 0402 1% 1R5	MC 0.0625W 0402 1% 1R5
Resistor, 0402 1% 2R2	MC 0.0625W 0402 1% 2R2
Resistor, 0402 1% 3R3	MC 0.0625W 0402 1% 3R3
Resistor, 0402 1% 4R7	MC 0.0625W 0402 1% 4R7
Resistor, 0402 1% 6R8	MC 0.0625W 0402 1% 6R8
Resistor, 0402 1% 10R	MC 0.0625W 0402 1% 10R
Resistor, 0402 1% 11R	MC 0.0625W 0402 1% 11R
Resistor, 0402 1% 12R	MC 0.0625W 0402 1% 12R
Resistor, 0402 1% 13R	MC 0.0625W 0402 1% 13R
Resistor, 0402 1% 15R	MC 0.0625W 0402 1% 15R
Resistor, 0402 1% 16R	MC 0.0625W 0402 1% 16R
Resistor, 0402 1% 18R	MC 0.0625W 0402 1% 18R
Resistor, 0402 1% 20R	MC 0.0625W 0402 1% 20R
Resistor, 0402 1% 22R	MC 0.0625W 0402 1% 22R



0402

Thick Film Chip Resistor



Description	Part Number
Resistor, 0402 1% 24R	MC 0.0625W 0402 1% 24R
Resistor, 0402 1% 27R	MC 0.0625W 0402 1% 27R
Resistor, 0402 1% 30R	MC 0.0625W 0402 1% 30R
Resistor, 0402 1% 33R	MC 0.0625W 0402 1% 33R
Resistor, 0402 1% 36R	MC 0.0625W 0402 1% 36R
Resistor, 0402 1% 39R	MC 0.0625W 0402 1% 39R
Resistor, 0402 1% 43R	MC 0.0625W 0402 1% 43R
Resistor, 0402 1% 47R	MC 0.0625W 0402 1% 47R
Resistor, 0402 1% 51R	MC 0.0625W 0402 1% 51R
Resistor, 0402 1% 56R	MC 0.0625W 0402 1% 56R
Resistor, 0402 1% 62R	MC 0.0625W 0402 1% 62R
Resistor, 0402 1% 68R	MC 0.0625W 0402 1% 68R
Resistor, 0402 1% 75R	MC 0.0625W 0402 1% 75R
Resistor, 0402 1% 82R	MC 0.0625W 0402 1% 82R
Resistor, 0402 1% 91R	MC 0.0625W 0402 1% 91R
Resistor, 0402 1% 100R	MC 0.0625W 0402 1% 100R
Resistor, 0402 1% 110R	MC 0.0625W 0402 1% 110R
Resistor, 0402 1% 120R	MC 0.0625W 0402 1% 120R
Resistor, 0402 1% 130R	MC 0.0625W 0402 1% 130R
Resistor, 0402 1% 150R	MC 0.0625W 0402 1% 150R
Resistor, 0402 1% 160R	MC 0.0625W 0402 1% 160R
Resistor, 0402 1% 180R	MC 0.0625W 0402 1% 180R
Resistor, 0402 1% 200R	MC 0.0625W 0402 1% 200R
Resistor, 0402 1% 220R	MC 0.0625W 0402 1% 220R
Resistor, 0402 1% 240R	MC 0.0625W 0402 1% 240R
Resistor, 0402 1% 270R	MC 0.0625W 0402 1% 270R
Resistor, 0402 1% 300R	MC 0.0625W 0402 1% 300R
Resistor, 0402 1% 330R	MC 0.0625W 0402 1% 330R
Resistor, 0402 1% 360R	MC 0.0625W 0402 1% 360R
Resistor, 0402 1% 390R	MC 0.0625W 0402 1% 390R
Resistor, 0402 1% 430R	MC 0.0625W 0402 1% 430R
Resistor, 0402 1% 470R	MC 0.0625W 0402 1% 470R
Resistor, 0402 1% 510R	MC 0.0625W 0402 1% 510R
Resistor, 0402 1% 560R	MC 0.0625W 0402 1% 560R
Resistor, 0402 1% 620R	MC 0.0625W 0402 1% 620R
Resistor, 0402 1% 680R	MC 0.0625W 0402 1% 680R
Resistor, 0402 1% 750R	MC 0.0625W 0402 1% 750R

0402

Thick Film Chip Resistor



Description	Part Number
Resistor, 0402 1% 820R	MC 0.0625W 0402 1% 820R
Resistor, 0402 1% 910R	MC 0.0625W 0402 1% 910R
Resistor, 1K, 62.5MW, 1%	MC 0.0625W 0402 1% 1K
Resistor, 0402 1% 1K1	MC 0.0625W 0402 1% 1K1
Resistor, 0402 1% 1K2	MC 0.0625W 0402 1% 1K2
Resistor, 0402 1% 1K3	MC 0.0625W 0402 1% 1K3
Resistor, 0402 1% 1K5	MC 0.0625W 0402 1% 1K5
Resistor, 0402 1% 1K6	MC 0.0625W 0402 1% 1K6
Resistor, 0402 1% 1K8	MC 0.0625W 0402 1% 1K8
Resistor, 0402 1% 2K	MC 0.0625W 0402 1% 2K
Resistor, 0402 1% 2K2	MC 0.0625W 0402 1% 2K2
Resistor, 0402 1% 2K4	MC 0.0625W 0402 1% 2K4
Resistor, 0402 1% 2K7	MC 0.0625W 0402 1% 2K7
Resistor, 0402 1% 3K	MC 0.0625W 0402 1% 3K
Resistor, 0402 1% 3K3	MC 0.0625W 0402 1% 3K3
Resistor, 0402 1% 3K6	MC 0.0625W 0402 1% 3K6
Resistor, 0402 1% 3K9	MC 0.0625W 0402 1% 3K9
Resistor, 0402 1% 4K3	MC 0.0625W 0402 1% 4K3
Resistor, 0402 1% 4K7	MC 0.0625W 0402 1% 4K7
Resistor, 0402 1% 5K1	MC 0.0625W 0402 1% 5K1
Resistor, 0402 1% 5K6	MC 0.0625W 0402 1% 5K6
Resistor, 0402 1% 6K2	MC 0.0625W 0402 1% 6K2
Resistor, 0402 1% 6K8	MC 0.0625W 0402 1% 6K8
Resistor, 0402 1% 7K5	MC 0.0625W 0402 1% 7K5
Resistor, 0402 1% 8K2	MC 0.0625W 0402 1% 8K2
Resistor, 0402 1% 9K1	MC 0.0625W 0402 1% 9K1
Resistor, 10K, 62.5MW, 1%	MC 0.0625W 0402 1% 10K
Resistor, 0402 1% 11K	MC 0.0625W 0402 1% 11K
Resistor, 0402 1% 12K	MC 0.0625W 0402 1% 12K
Resistor, 0402 1% 13K	MC 0.0625W 0402 1% 13K
Resistor, 0402 1% 15K	MC 0.0625W 0402 1% 15K
Resistor, 0402 1% 16K	MC 0.0625W 0402 1% 16K
Resistor, 0402 1% 18K	MC 0.0625W 0402 1% 18K
Resistor, 0402 1% 20K	MC 0.0625W 0402 1% 20K
Resistor, 0402 1% 22K	MC 0.0625W 0402 1% 22K
Resistor, 0402 1% 24K	MC 0.0625W 0402 1% 24K
Resistor, 0402 1% 27K	MC 0.0625W 0402 1% 27K

0402

Thick Film Chip Resistor



Description	Part Number
Resistor, 0402 1% 30K	MC 0.0625W 0402 1% 30K
Resistor, 0402 1% 33K	MC 0.0625W 0402 1% 33K
Resistor, 0402 1% 36K	MC 0.0625W 0402 1% 36K
Resistor, 0402 1% 39K	MC 0.0625W 0402 1% 39K
Resistor, 0402 1% 43K	MC 0.0625W 0402 1% 43K
Resistor, 0402, 47K, 1%	MC 0.0625W 0402 1% 47K
Resistor, 0402 1% 51K	MC 0.0625W 0402 1% 51K
Resistor, 0402 1% 56K	MC 0.0625W 0402 1% 56K
Resistor, 0402 1% 62K	MC 0.0625W 0402 1% 62K
Resistor, 0402 1% 68K	MC 0.0625W 0402 1% 68K
Resistor, 0402 1% 75K	MC 0.0625W 0402 1% 75K
Resistor, 0402 1% 82K	MC 0.0625W 0402 1% 82K
Resistor, 0402 1% 91K	MC 0.0625W 0402 1% 91K
Resistor, 0402 1% 100K	MC 0.0625W 0402 1% 100K
Resistor, 0402 1% 110K	MC 0.0625W 0402 1% 110K
Resistor, 0402 1% 120K	MC 0.0625W 0402 1% 120K
Resistor, 0402 1% 130K	MC 0.0625W 0402 1% 130K
Resistor, 0402 1% 150K	MC 0.0625W 0402 1% 150K
Resistor, 0402 1% 160K	MC 0.0625W 0402 1% 160K
Resistor, 0402 1% 180K	MC 0.0625W 0402 1% 180K
Resistor, 0402 1% 200K	MC 0.0625W 0402 1% 200K
Resistor, 0402 1% 220K	MC 0.0625W 0402 1% 220K
Resistor, 0402 1% 240K	MC 0.0625W 0402 1% 240K
Resistor, 0402 1% 270K	MC 0.0625W 0402 1% 270K
Resistor, 0402 1% 300K	MC 0.0625W 0402 1% 300K
Resistor, 0402 1% 330K	MC 0.0625W 0402 1% 330K
Resistor, 0402 1% 360K	MC 0.0625W 0402 1% 360K
Resistor, 0402 1% 390K	MC 0.0625W 0402 1% 390K
Resistor, 0402 1% 430K	MC 0.0625W 0402 1% 430K
Resistor, 0402 1% 470K	MC 0.0625W 0402 1% 470K
Resistor, 0402 1% 510K	MC 0.0625W 0402 1% 510K
Resistor, 0402 1% 560K	MC 0.0625W 0402 1% 560K
Resistor, 0402 1% 620K	MC 0.0625W 0402 1% 620K
Resistor, 0402 1% 680K	MC 0.0625W 0402 1% 680K
Resistor, 0402 1% 750K	MC 0.0625W 0402 1% 750K
Resistor, 0402 1% 820K	MC 0.0625W 0402 1% 820K
Resistor, 0402 1% 910K	MC 0.0625W 0402 1% 910K

0402

Thick Film Chip Resistor



Description	Part Number
Resistor, 0402 1% 1M	MC 0.0625W 0402 1% 1M
Resistor, 0402, 1%, 10R2	MC 0.0625W 0402 1% 10R2
Resistor, 0402, 1%, 10R5	MC 0.0625W 0402 1% 10R5
Resistor, 0402, 1%, 11R5	MC 0.0625W 0402 1% 11R5
Resistor, 0402, 1%, 12R1	MC 0.0625W 0402 1% 12R1
Resistor, 0402, 1%, 12R4	MC 0.0625W 0402 1% 12R4
Resistor, 0402, 1%, 12R7	MC 0.0625W 0402 1% 12R7
Resistor, 0402, 1%, 13R3	MC 0.0625W 0402 1% 13R3
Resistor, 0402, 1%, 14R	MC 0.0625W 0402 1% 14R
Resistor, 0402, 1%, 14R3	MC 0.0625W 0402 1% 14R3
Resistor, 0402, 1%, 14R7	MC 0.0625W 0402 1% 14R7
Resistor, 0402, 1%, 15R4	MC 0.0625W 0402 1% 15R4
Resistor, 0402, 1%, 16R2	MC 0.0625W 0402 1% 16R2
Resistor, 0402, 1%, 16R5	MC 0.0625W 0402 1% 16R5
Resistor, 0402, 1%, 16R9	MC 0.0625W 0402 1% 16R9
Resistor, 0402, 1%, 17R8	MC 0.0625W 0402 1% 17R8
Resistor, 0402, 1%, 18R2	MC 0.0625W 0402 1% 18R2
Resistor, 0402, 1%, 18R7	MC 0.0625W 0402 1% 18R7
Resistor, 0402, 1%, 19R1	MC 0.0625W 0402 1% 19R1
Resistor, 0402, 1%, 19R6	MC 0.0625W 0402 1% 19R6
Resistor, 0402, 1%, 20R5	MC 0.0625W 0402 1% 20R5
Resistor, 0402, 1%, 21R	MC 0.0625W 0402 1% 21R
Resistor, 0402, 1%, 21R5	MC 0.0625W 0402 1% 21R5
Resistor, 0402, 1%, 22R1	MC 0.0625W 0402 1% 22R1
Resistor, 0402, 1%, 22R6	MC 0.0625W 0402 1% 22R6
Resistor, 0402, 1%, 23R2	MC 0.0625W 0402 1% 23R2
Resistor, 0402, 1%, 23R7	MC 0.0625W 0402 1% 23R7
Resistor, 0402, 1%, 24R3	MC 0.0625W 0402 1% 24R3
Resistor, 0402, 1%, 24R9	MC 0.0625W 0402 1% 24R9
Resistor, 0402, 1%, 25R5	MC 0.0625W 0402 1% 25R5
Resistor, 0402, 1%, 26R1	MC 0.0625W 0402 1% 26R1
Resistor, 0402, 1%, 26R7	MC 0.0625W 0402 1% 26R7
Resistor, 0402, 1%, 27R4	MC 0.0625W 0402 1% 27R4
Resistor, 0402, 1%, 28R	MC 0.0625W 0402 1% 28R
Resistor, 0402, 1%, 28R7	MC 0.0625W 0402 1% 28R7
Resistor, 0402, 1%, 30R1	MC 0.0625W 0402 1% 30R1
Resistor, 0402, 1%, 30R9	MC 0.0625W 0402 1% 30R9

0402

Thick Film Chip Resistor



Description	Part Number
Resistor, 0402, 1%, 31R6	MC 0.0625W 0402 1% 31R6
Resistor, 0402, 1%, 33R2	MC 0.0625W 0402 1% 33R2
Resistor, 0402, 1%, 34R	MC 0.0625W 0402 1% 34R
Resistor, 0402, 1%, 34R8	MC 0.0625W 0402 1% 34R8
Resistor, 0402, 1%, 35R7	MC 0.0625W 0402 1% 35R7
Resistor, 0402, 1%, 36R5	MC 0.0625W 0402 1% 36R5
Resistor, 0402, 1%, 37R4	MC 0.0625W 0402 1% 37R4
Resistor, 0402, 1%, 38R3	MC 0.0625W 0402 1% 38R3
Resistor, 0402, 1%, 39R2	MC 0.0625W 0402 1% 39R2
Resistor, 0402, 1%, 40R2	MC 0.0625W 0402 1% 40R2
Resistor, 0402, 1%, 41R2	MC 0.0625W 0402 1% 41R2
Resistor, 0402, 1%, 42R2	MC 0.0625W 0402 1% 42R2
Resistor, 0402, 1%, 43R2	MC 0.0625W 0402 1% 43R2
Resistor, 0402, 1%, 44R2	MC 0.0625W 0402 1% 44R2
Resistor, 0402, 1%, 45R3	MC 0.0625W 0402 1% 45R3
Resistor, 0402, 1%, 46R4	MC 0.0625W 0402 1% 46R4
Resistor, 0402, 1%, 47R5	MC 0.0625W 0402 1% 47R5
Resistor, 0402, 1%, 48R7	MC 0.0625W 0402 1% 48R7
Resistor, 0402, 1%, 49R9	MC 0.0625W 0402 1% 49R9
Resistor, 0402, 1%, 52R3	MC 0.0625W 0402 1% 52R3
Resistor, 0402, 1%, 53R6	MC 0.0625W 0402 1% 53R6
Resistor, 0402, 1%, 54R9	MC 0.0625W 0402 1% 54R9
Resistor, 0402, 1%, 56R2	MC 0.0625W 0402 1% 56R2
Resistor, 0402, 1%, 57R6	MC 0.0625W 0402 1% 57R6
Resistor, 0402, 1%, 59R	MC 0.0625W 0402 1% 59R
Resistor, 0402, 1%, 60R4	MC 0.0625W 0402 1% 60R4
Resistor, 0402, 1%, 61R9	MC 0.0625W 0402 1% 61R9
Resistor, 0402, 1%, 63R4	MC 0.0625W 0402 1% 63R4
Resistor, 0402, 1%, 64R9	MC 0.0625W 0402 1% 64R9
Resistor, 0402, 1%, 66R5	MC 0.0625W 0402 1% 66R5
Resistor, 0402, 1%, 68R1	MC 0.0625W 0402 1% 68R1
Resistor, 0402, 1%, 71R5	MC 0.0625W 0402 1% 71R5
Resistor, 0402, 1%, 73R2	MC 0.0625W 0402 1% 73R2
Resistor, 0402, 1%, 76R8	MC 0.0625W 0402 1% 76R8
Resistor, 0402, 1%, 78R7	MC 0.0625W 0402 1% 78R7
Resistor, 0402, 1%, 80R6	MC 0.0625W 0402 1% 80R6
Resistor, 0402, 1%, 82R5	MC 0.0625W 0402 1% 82R5

0402

Thick Film Chip Resistor



Description	Part Number
Resistor, 0402, 1%, 84R5	MC 0.0625W 0402 1% 84R5
Resistor, 0402, 1%, 86R6	MC 0.0625W 0402 1% 86R6
Resistor, 0402, 1%, 88R7	MC 0.0625W 0402 1% 88R7
Resistor, 0402, 1%, 90R9	MC 0.0625W 0402 1% 90R9
Resistor, 0402, 1%, 93R1	MC 0.0625W 0402 1% 93R1
Resistor, 0402, 1%, 95R3	MC 0.0625W 0402 1% 95R3
Resistor, 0402, 1%, 97R6	MC 0.0625W 0402 1% 97R6
Resistor, 0402, 1%, 102R	MC 0.0625W 0402 1% 102R
Resistor, 0402, 1%, 105R	MC 0.0625W 0402 1% 105R
Resistor, 0402, 1%, 107R	MC 0.0625W 0402 1% 107R
Resistor, 0402, 1%, 113R	MC 0.0625W 0402 1% 113R
Resistor, 0402, 1%, 115R	MC 0.0625W 0402 1% 115R
Resistor, 0402, 1%, 118R	MC 0.0625W 0402 1% 118R
Resistor, 0402, 1%, 124R	MC 0.0625W 0402 1% 124R
Resistor, 0402, 1%, 133R	MC 0.0625W 0402 1% 133R
Resistor, 0402, 1%, 137R	MC 0.0625W 0402 1% 137R
Resistor, 0402, 1%, 140R	MC 0.0625W 0402 1% 140R
Resistor, 0402, 1%, 143R	MC 0.0625W 0402 1% 143R
Resistor, 0402, 1%, 147R	MC 0.0625W 0402 1% 147R
Resistor, 0402, 1%, 154R	MC 0.0625W 0402 1% 154R
Resistor, 0402, 1%, 158R	MC 0.0625W 0402 1% 158R
Resistor, 0402, 1%, 162R	MC 0.0625W 0402 1% 162R
Resistor, 0402, 1%, 165R	MC 0.0625W 0402 1% 165R
Resistor, 0402, 1%, 169R	MC 0.0625W 0402 1% 169R
Resistor, 0402, 1%, 174R	MC 0.0625W 0402 1% 174R
Resistor, 0402, 1%, 178R	MC 0.0625W 0402 1% 178R
Resistor, 0402, 1%, 182R	MC 0.0625W 0402 1% 182R
Resistor, 0402, 1%, 187R	MC 0.0625W 0402 1% 187R
Resistor, 0402, 1%, 191R	MC 0.0625W 0402 1% 191R
Resistor, 0402, 1%, 196R	MC 0.0625W 0402 1% 196R
Resistor, 0402, 1%, 205R	MC 0.0625W 0402 1% 205R
Resistor, 0402, 1%, 210R	MC 0.0625W 0402 1% 210R
Resistor, 0402, 1%, 215R	MC 0.0625W 0402 1% 215R
Resistor, 0402, 1%, 221R	MC 0.0625W 0402 1% 221R
Resistor, 0402, 1%, 226R	MC 0.0625W 0402 1% 226R
Resistor, 0402, 1%, 232R	MC 0.0625W 0402 1% 232R
Resistor, 0402, 1%, 237R	MC 0.0625W 0402 1% 237R

0402

Thick Film Chip Resistor



Description	Part Number
Resistor, 0402, 1%, 243R	MC 0.0625W 0402 1% 243R
Resistor, 0402, 1%, 249R	MC 0.0625W 0402 1% 249R
Resistor, 0402, 1%, 255R	MC 0.0625W 0402 1% 255R
Resistor, 0402, 1%, 261R	MC 0.0625W 0402 1% 261R
Resistor, 0402, 1%, 267R	MC 0.0625W 0402 1% 267R
Resistor, 0402, 1%, 274R	MC 0.0625W 0402 1% 274R
Resistor, 0402, 1%, 280R	MC 0.0625W 0402 1% 280R
Resistor, 0402, 1%, 287R	MC 0.0625W 0402 1% 287R
Resistor, 0402, 1%, 294R	MC 0.0625W 0402 1% 294R
Resistor, 0402, 1%, 301R	MC 0.0625W 0402 1% 301R
Resistor, 0402, 1%, 309R	MC 0.0625W 0402 1% 309R
Resistor, 0402, 1%, 316R	MC 0.0625W 0402 1% 316R
Resistor, 0402, 1%, 324R	MC 0.0625W 0402 1% 324R
Resistor, 0402, 1%, 332R	MC 0.0625W 0402 1% 332R
Resistor, 0402, 1%, 340R	MC 0.0625W 0402 1% 340R
Resistor, 0402, 1%, 348R	MC 0.0625W 0402 1% 348R
Resistor, 0402, 1%, 357R	MC 0.0625W 0402 1% 357R
Resistor, 0402, 1%, 365R	MC 0.0625W 0402 1% 365R
Resistor, 0402, 1%, 374R	MC 0.0625W 0402 1% 374R
Resistor, 0402, 1%, 383R	MC 0.0625W 0402 1% 383R
Resistor, 0402, 1%, 392R	MC 0.0625W 0402 1% 392R
Resistor, 0402, 1%, 402R	MC 0.0625W 0402 1% 402R
Resistor, 0402, 1%, 412R	MC 0.0625W 0402 1% 412R
Resistor, 0402, 1%, 422R	MC 0.0625W 0402 1% 422R
Resistor, 0402, 1%, 432R	MC 0.0625W 0402 1% 432R
Resistor, 0402, 1%, 442R	MC 0.0625W 0402 1% 442R
Resistor, 0402, 1%, 453R	MC 0.0625W 0402 1% 453R
Resistor, 0402, 1%, 464R	MC 0.0625W 0402 1% 464R
Resistor, 0402, 1%, 475R	MC 0.0625W 0402 1% 475R
Resistor, 0402, 1%, 487R	MC 0.0625W 0402 1% 487R
Resistor, 0402, 1%, 499R	MC 0.0625W 0402 1% 499R
Resistor, 0402, 1%, 511R	MC 0.0625W 0402 1% 511R
Resistor, 0402, 1%, 523R	MC 0.0625W 0402 1% 523R
Resistor, 0402, 1%, 536R	MC 0.0625W 0402 1% 536R
Resistor, 0402, 1%, 549R	MC 0.0625W 0402 1% 549R
Resistor, 0402, 1%, 562R	MC 0.0625W 0402 1% 562R
Resistor, 0402, 1%, 576R	MC 0.0625W 0402 1% 576R

0402

Thick Film Chip Resistor



Description	Part Number
Resistor, 0402, 1%, 590R	MC 0.0625W 0402 1% 590R
Resistor, 0402, 1%, 604R	MC 0.0625W 0402 1% 604R
Resistor, 0402, 1%, 619R	MC 0.0625W 0402 1% 619R
Resistor, 0402, 1%, 634R	MC 0.0625W 0402 1% 634R
Resistor, 0402, 1%, 649R	MC 0.0625W 0402 1% 649R
Resistor, 0402, 1%, 665R	MC 0.0625W 0402 1% 665R
Resistor, 0402, 1%, 681R	MC 0.0625W 0402 1% 681R
Resistor, 0402, 1%, 698R	MC 0.0625W 0402 1% 698R
Resistor, 0402, 1%, 715R	MC 0.0625W 0402 1% 715R
Resistor, 0402, 1%, 732R	MC 0.0625W 0402 1% 732R
Resistor, 0402, 1%, 768R	MC 0.0625W 0402 1% 768R
Resistor, 0402, 1%, 787R	MC 0.0625W 0402 1% 787R
Resistor, 0402, 1%, 806R	MC 0.0625W 0402 1% 806R
Resistor, 0402, 1%, 825R	MC 0.0625W 0402 1% 825R
Resistor, 0402, 1%, 845R	MC 0.0625W 0402 1% 845R
Resistor, 0402, 1%, 866R	MC 0.0625W 0402 1% 866R
Resistor, 0402, 1%, 887R	MC 0.0625W 0402 1% 887R
Resistor, 0402, 1%, 909R	MC 0.0625W 0402 1% 909R
Resistor, 0402, 1%, 931R	MC 0.0625W 0402 1% 931R
Resistor, 0402, 1%, 953R	MC 0.0625W 0402 1% 953R
Resistor, 0402, 1%, 976R	MC 0.0625W 0402 1% 976R
Resistor, 0402, 1%, 1K02	MC 0.0625W 0402 1% 1K02
Resistor, 0402, 1%, 1K05	MC 0.0625W 0402 1% 1K05
Resistor, 0402, 1%, 1K07	MC 0.0625W 0402 1% 1K07
Resistor, 0402, 1%, 1K13	MC 0.0625W 0402 1% 1K13
Resistor, 0402, 1%, 1K15	MC 0.0625W 0402 1% 1K15
Resistor, 0402, 1%, 1K18	MC 0.0625W 0402 1% 1K18
Resistor, 0402, 1%, 1K21	MC 0.0625W 0402 1% 1K21
Resistor, 0402, 1%, 1K24	MC 0.0625W 0402 1% 1K24
Resistor, 0402, 1%, 1K27	MC 0.0625W 0402 1% 1K27
Resistor, 0402, 1%, 1K33	MC 0.0625W 0402 1% 1K33
Resistor, 0402, 1%, 1K37	MC 0.0625W 0402 1% 1K37
Resistor, 0402, 1%, 1K4	MC 0.0625W 0402 1% 1K4
Resistor, 0402, 1%, 1K43	MC 0.0625W 0402 1% 1K43
Resistor, 0402, 1%, 1K47	MC 0.0625W 0402 1% 1K47
Resistor, 0402, 1%, 1K54	MC 0.0625W 0402 1% 1K54
Resistor, 0402, 1%, 1K58	MC 0.0625W 0402 1% 1K58

0402

Thick Film Chip Resistor



Description	Part Number
Resistor, 0402, 1%, 1K62	MC 0.0625W 0402 1% 1K62
Resistor, 0402, 1%, 1K65	MC 0.0625W 0402 1% 1K65
Resistor, 0402, 1%, 1K69	MC 0.0625W 0402 1% 1K69
Resistor, 0402, 1%, 1K74	MC 0.0625W 0402 1% 1K74
Resistor, 0402, 1%, 1K78	MC 0.0625W 0402 1% 1K78
Resistor, 0402, 1%, 1K82	MC 0.0625W 0402 1% 1K82
Resistor, 0402, 1%, 1K87	MC 0.0625W 0402 1% 1K87
Resistor, 0402, 1%, 1K91	MC 0.0625W 0402 1% 1K91
Resistor, 0402, 1%, 1K96	MC 0.0625W 0402 1% 1K96
Resistor, 0402, 1%, 2K05	MC 0.0625W 0402 1% 2K05
Resistor, 0402, 1%, 2K1	MC 0.0625W 0402 1% 2K1
Resistor, 0402, 1%, 2K15	MC 0.0625W 0402 1% 2K15
Resistor, 0402, 1%, 2K21	MC 0.0625W 0402 1% 2K21
Resistor, 0402, 1%, 2K26	MC 0.0625W 0402 1% 2K26
Resistor, 0402, 1%, 2K32	MC 0.0625W 0402 1% 2K32
Resistor, 0402, 1%, 2K37	MC 0.0625W 0402 1% 2K37
Resistor, 0402, 1%, 2K43	MC 0.0625W 0402 1% 2K43
Resistor, 0402, 1%, 2K49	MC 0.0625W 0402 1% 2K49
Resistor, 0402, 1%, 2K55	MC 0.0625W 0402 1% 2K55
Resistor, 0402, 1%, 2K61	MC 0.0625W 0402 1% 2K61
Resistor, 0402, 1%, 2K67	MC 0.0625W 0402 1% 2K67
Resistor, 0402, 1%, 2K74	MC 0.0625W 0402 1% 2K74
Resistor, 0402, 1%, 2K8	MC 0.0625W 0402 1% 2K8
Resistor, 0402, 1%, 2K87	MC 0.0625W 0402 1% 2K87
Resistor, 0402, 1%, 2K94	MC 0.0625W 0402 1% 2K94
Resistor, 0402, 1%, 3K01	MC 0.0625W 0402 1% 3K01
Resistor, 0402, 1%, 3K09	MC 0.0625W 0402 1% 3K09
Resistor, 0402, 1%, 3K16	MC 0.0625W 0402 1% 3K16
Resistor, 0402, 1%, 3K24	MC 0.0625W 0402 1% 3K24
Resistor, 0402, 1%, 3K32	MC 0.0625W 0402 1% 3K32
Resistor, 0402, 1%, 3K4	MC 0.0625W 0402 1% 3K4
Resistor, 0402, 1%, 3K48	MC 0.0625W 0402 1% 3K48
Resistor, 0402, 1%, 3K57	MC 0.0625W 0402 1% 3K57
Resistor, 0402, 1%, 3K65	MC 0.0625W 0402 1% 3K65
Resistor, 0402, 1%, 3K74	MC 0.0625W 0402 1% 3K74
Resistor, 0402, 1%, 3K83	MC 0.0625W 0402 1% 3K83
Resistor, 0402, 1%, 3K92	MC 0.0625W 0402 1% 3K92

0402

Thick Film Chip Resistor



Description	Part Number
Resistor, 0402, 1%, 4K02	MC 0.0625W 0402 1% 4K02
Resistor, 0402, 1%, 4K12	MC 0.0625W 0402 1% 4K12
Resistor, 0402, 1%, 4K22	MC 0.0625W 0402 1% 4K22
Resistor, 0402, 1%, 4K32	MC 0.0625W 0402 1% 4K32
Resistor, 0402, 1%, 4K42	MC 0.0625W 0402 1% 4K42
Resistor, 0402, 1%, 4K53	MC 0.0625W 0402 1% 4K53
Resistor, 0402, 1%, 4K64	MC 0.0625W 0402 1% 4K64
Resistor, 0402, 1%, 4K75	MC 0.0625W 0402 1% 4K75
Resistor, 0402, 1%, 4K87	MC 0.0625W 0402 1% 4K87
Resistor, 0402, 1%, 4K99	MC 0.0625W 0402 1% 4K99
Resistor, 0402, 1%, 5K11	MC 0.0625W 0402 1% 5K11
Resistor, 0402, 1%, 5K23	MC 0.0625W 0402 1% 5K23
Resistor, 0402, 1%, 5K36	MC 0.0625W 0402 1% 5K36
Resistor, 0402, 1%, 5K49	MC 0.0625W 0402 1% 5K49
Resistor, 0402, 1%, 5K62	MC 0.0625W 0402 1% 5K62
Resistor, 0402, 1%, 5K76	MC 0.0625W 0402 1% 5K76
Resistor, 0402, 1%, 5K9	MC 0.0625W 0402 1% 5K9
Resistor, 0402, 1%, 6K04	MC 0.0625W 0402 1% 6K04
Resistor, 0402, 1%, 6K19	MC 0.0625W 0402 1% 6K19
Resistor, 0402, 1%, 6K34	MC 0.0625W 0402 1% 6K34
Resistor, 0402, 1%, 6K49	MC 0.0625W 0402 1% 6K49
Resistor, 0402, 1%, 6K65	MC 0.0625W 0402 1% 6K65
Resistor, 0402, 1%, 6K81	MC 0.0625W 0402 1% 6K81
Resistor, 0402, 1%, 6K98	MC 0.0625W 0402 1% 6K98
Resistor, 0402, 1%, 7K15	MC 0.0625W 0402 1% 7K15
Resistor, 0402, 1%, 7K32	MC 0.0625W 0402 1% 7K32
Resistor, 0402, 1%, 7K68	MC 0.0625W 0402 1% 7K68
Resistor, 0402, 1%, 7K87	MC 0.0625W 0402 1% 7K87
Resistor, 0402, 1%, 8K06	MC 0.0625W 0402 1% 8K06
Resistor, 0402, 1%, 8K25	MC 0.0625W 0402 1% 8K25
Resistor, 0402, 1%, 8K45	MC 0.0625W 0402 1% 8K45
Resistor, 0402, 1%, 8K66	MC 0.0625W 0402 1% 8K66
Resistor, 0402, 1%, 8K87	MC 0.0625W 0402 1% 8K87
Resistor, 0402, 1%, 9K09	MC 0.0625W 0402 1% 9K09
Resistor, 0402, 1%, 9K53	MC 0.0625W 0402 1% 9K53
Resistor, 0402, 1%, 9K76	MC 0.0625W 0402 1% 9K76
Resistor, 0402, 1%, 10K2	MC 0.0625W 0402 1% 10K2

0402

Thick Film Chip Resistor



Description	Part Number
Resistor, 0402, 1%, 10K5	MC 0.0625W 0402 1% 10K5
Resistor, 0402, 1%, 10K7	MC 0.0625W 0402 1% 10K7
Resistor, 0402, 1%, 11K3	MC 0.0625W 0402 1% 11K3
Resistor, 0402, 1%, 11K5	MC 0.0625W 0402 1% 11K5
Resistor, 0402, 1%, 11K8	MC 0.0625W 0402 1% 11K8
Resistor, 0402, 1%, 12K1	MC 0.0625W 0402 1% 12K1
Resistor, 0402, 1%, 12K4	MC 0.0625W 0402 1% 12K4
Resistor, 0402, 1%, 12K7	MC 0.0625W 0402 1% 12K7
Resistor, 0402, 1%, 13K3	MC 0.0625W 0402 1% 13K3
Resistor, 0402, 1%, 13K7	MC 0.0625W 0402 1% 13K7
Resistor, 0402, 1%, 14K	MC 0.0625W 0402 1% 14K
Resistor, 0402, 1%, 14K3	MC 0.0625W 0402 1% 14K3
Resistor, 0402, 1%, 14K7	MC 0.0625W 0402 1% 14K7
Resistor, 0402, 1%, 15K4	MC 0.0625W 0402 1% 15K4
Resistor, 0402, 1%, 15K8	MC 0.0625W 0402 1% 15K8
Resistor, 0402, 1%, 16K2	MC 0.0625W 0402 1% 16K2
Resistor, 0402, 1%, 16K5	MC 0.0625W 0402 1% 16K5
Resistor, 0402, 1%, 17K4	MC 0.0625W 0402 1% 17K4
Resistor, 0402, 1%, 17K8	MC 0.0625W 0402 1% 17K8
Resistor, 0402, 1%, 18K2	MC 0.0625W 0402 1% 18K2
Resistor, 0402, 1%, 18K7	MC 0.0625W 0402 1% 18K7
Resistor, 0402, 1%, 19K1	MC 0.0625W 0402 1% 19K1
Resistor, 0402, 1%, 19K6	MC 0.0625W 0402 1% 19K6
Resistor, 0402, 1%, 20K5	MC 0.0625W 0402 1% 20K5
Resistor, 0402, 1%, 21K	MC 0.0625W 0402 1% 21K
Resistor, 0402, 1%, 21K5	MC 0.0625W 0402 1% 21K5
Resistor, 0402, 1%, 22K1	MC 0.0625W 0402 1% 22K1
Resistor, 0402, 1%, 22K6	MC 0.0625W 0402 1% 22K6
Resistor, 0402, 1%, 23K2	MC 0.0625W 0402 1% 23K2
Resistor, 0402, 1%, 23K7	MC 0.0625W 0402 1% 23K7
Resistor, 0402, 1%, 24K3	MC 0.0625W 0402 1% 24K3
Resistor, 0402, 1%, 24K9	MC 0.0625W 0402 1% 24K9
Resistor, 0402, 1%, 25K5	MC 0.0625W 0402 1% 25K5
Resistor, 0402, 1%, 26K1	MC 0.0625W 0402 1% 26K1
Resistor, 0402, 1%, 26K7	MC 0.0625W 0402 1% 26K7
Resistor, 0402, 1%, 27K4	MC 0.0625W 0402 1% 27K4
Resistor, 0402, 1%, 28K	MC 0.0625W 0402 1% 28K

0402

Thick Film Chip Resistor



Description	Part Number
Resistor, 0402, 1%, 28K7	MC 0.0625W 0402 1% 28K7
Resistor, 0402, 1%, 29K4	MC 0.0625W 0402 1% 29K4
Resistor, 0402, 1%, 30K1	MC 0.0625W 0402 1% 30K1
Resistor, 0402, 1%, 30K9	MC 0.0625W 0402 1% 30K9
Resistor, 0402, 1%, 31K6	MC 0.0625W 0402 1% 31K6
Resistor, 0402, 1%, 32K4	MC 0.0625W 0402 1% 32K4
Resistor, 0402, 1%, 33K2	MC 0.0625W 0402 1% 33K2
Resistor, 0402, 1%, 34K	MC 0.0625W 0402 1% 34K
Resistor, 0402, 1%, 34K8	MC 0.0625W 0402 1% 34K8
Resistor, 0402, 1%, 35K7	MC 0.0625W 0402 1% 35K7
Resistor, 0402, 1%, 36K5	MC 0.0625W 0402 1% 36K5
Resistor, 0402, 1%, 37K4	MC 0.0625W 0402 1% 37K4
Resistor, 0402, 1%, 38K3	MC 0.0625W 0402 1% 38K3
Resistor, 0402, 1%, 39K2	MC 0.0625W 0402 1% 39K2
Resistor, 0402, 1%, 40K2	MC 0.0625W 0402 1% 40K2
Resistor, 0402, 1%, 41K2	MC 0.0625W 0402 1% 41K2
Resistor, 0402, 1%, 42K2	MC 0.0625W 0402 1% 42K2
Resistor, 0402, 1%, 43K2	MC 0.0625W 0402 1% 43K2
Resistor, 0402, 1%, 45K3	MC 0.0625W 0402 1% 45K3
Resistor, 0402, 1%, 46K4	MC 0.0625W 0402 1% 46K4
Resistor, 0402, 1%, 48K7	MC 0.0625W 0402 1% 48K7
Resistor, 0402, 1%, 49K9	MC 0.0625W 0402 1% 49K9
Resistor, 0402, 1%, 51K1	MC 0.0625W 0402 1% 51K1
Resistor, 0402, 1%, 52K3	MC 0.0625W 0402 1% 52K3
Resistor, 0402, 1%, 53K6	MC 0.0625W 0402 1% 53K6
Resistor, 0402, 1%, 54K9	MC 0.0625W 0402 1% 54K9
Resistor, 0402, 1%, 56K2	MC 0.0625W 0402 1% 56K2
Resistor, 0402, 1%, 57K6	MC 0.0625W 0402 1% 57K6
Resistor, 0402, 1%, 59K	MC 0.0625W 0402 1% 59K
Resistor, 0402, 1%, 60K4	MC 0.0625W 0402 1% 60K4
Resistor, 0402, 1%, 61K9	MC 0.0625W 0402 1% 61K9
Resistor, 0402, 1%, 63K4	MC 0.0625W 0402 1% 63K4
Resistor, 0402, 1%, 64K9	MC 0.0625W 0402 1% 64K9
Resistor, 0402, 1%, 66K5	MC 0.0625W 0402 1% 66K5
Resistor, 0402, 1%, 68K1	MC 0.0625W 0402 1% 68K1
Resistor, 0402, 1%, 69K8	MC 0.0625W 0402 1% 69K8
Resistor, 0402, 1%, 71K5	MC 0.0625W 0402 1% 71K5

0402

Thick Film Chip Resistor



Description	Part Number
Resistor, 0402, 1%, 73K2	MC 0.0625W 0402 1% 73K2
Resistor, 0402, 1%, 76K8	MC 0.0625W 0402 1% 76K8
Resistor, 0402, 1%, 78K7	MC 0.0625W 0402 1% 78K7
Resistor, 0402, 1%, 80K6	MC 0.0625W 0402 1% 80K6
Resistor, 0402, 1%, 82K5	MC 0.0625W 0402 1% 82K5
Resistor, 0402, 1%, 84K5	MC 0.0625W 0402 1% 84K5
Resistor, 0402, 1%, 86K6	MC 0.0625W 0402 1% 86K6
Resistor, 0402, 1%, 88K7	MC 0.0625W 0402 1% 88K7
Resistor, 0402, 1%, 90K9	MC 0.0625W 0402 1% 90K9
Resistor, 0402, 1%, 93K1	MC 0.0625W 0402 1% 93K1
Resistor, 0402, 1%, 95K3	MC 0.0625W 0402 1% 95K3
Resistor, 0402, 1%, 97K6	MC 0.0625W 0402 1% 97K6
Resistor, 0402, 1%, 102K	MC 0.0625W 0402 1% 102K
Resistor, 0402, 1%, 105K	MC 0.0625W 0402 1% 105K
Resistor, 0402, 1%, 107K	MC 0.0625W 0402 1% 107K
Resistor, 0402, 1%, 113K	MC 0.0625W 0402 1% 113K
Resistor, 0402, 1%, 115K	MC 0.0625W 0402 1% 115K
Resistor, 0402, 1%, 118K	MC 0.0625W 0402 1% 118K
Resistor, 0402, 1%, 121K	MC 0.0625W 0402 1% 121K
Resistor, 0402, 1%, 124K	MC 0.0625W 0402 1% 124K
Resistor, 0402, 1%, 127K	MC 0.0625W 0402 1% 127K
Resistor, 0402, 1%, 133K	MC 0.0625W 0402 1% 133K
Resistor, 0402, 1%, 137K	MC 0.0625W 0402 1% 137K
Resistor, 0402, 1%, 140K	MC 0.0625W 0402 1% 140K
Resistor, 0402, 1%, 143K	MC 0.0625W 0402 1% 143K
Resistor, 0402, 1%, 147K	MC 0.0625W 0402 1% 147K
Resistor, 0402, 1%, 154K	MC 0.0625W 0402 1% 154K
Resistor, 0402, 1%, 158K	MC 0.0625W 0402 1% 158K
Resistor, 0402, 1%, 165K	MC 0.0625W 0402 1% 165K
Resistor, 0402, 1%, 169K	MC 0.0625W 0402 1% 169K
Resistor, 0402, 1%, 174K	MC 0.0625W 0402 1% 174K
Resistor, 0402, 1%, 182K	MC 0.0625W 0402 1% 182K
Resistor, 0402, 1%, 187K	MC 0.0625W 0402 1% 187K
Resistor, 0402, 1%, 191K	MC 0.0625W 0402 1% 191K
Resistor, 0402, 1%, 196K	MC 0.0625W 0402 1% 196K
Resistor, 0402, 1%, 205K	MC 0.0625W 0402 1% 205K
Resistor, 0402, 1%, 210K	MC 0.0625W 0402 1% 210K

0402

Thick Film Chip Resistor



Description	Part Number
Resistor, 0402, 1%, 215K	MC 0.0625W 0402 1% 215K
Resistor, 0402, 1%, 221K	MC 0.0625W 0402 1% 221K
Resistor, 0402, 1%, 226K	MC 0.0625W 0402 1% 226K
Resistor, 0402, 1%, 232K	MC 0.0625W 0402 1% 232K
Resistor, 0402, 1%, 237K	MC 0.0625W 0402 1% 237K
Resistor, 0402, 1%, 243K	MC 0.0625W 0402 1% 243K
Resistor, 0402, 1%, 249K	MC 0.0625W 0402 1% 249K
Resistor, 0402, 1%, 255K	MC 0.0625W 0402 1% 255K
Resistor, 0402, 1%, 261K	MC 0.0625W 0402 1% 261K
Resistor, 0402, 1%, 267K	MC 0.0625W 0402 1% 267K
Resistor, 0402, 1%, 274K	MC 0.0625W 0402 1% 274K
Resistor, 0402, 1%, 287K	MC 0.0625W 0402 1% 287K
Resistor, 0402, 1%, 294K	MC 0.0625W 0402 1% 294K
Resistor, 0402, 1%, 301K	MC 0.0625W 0402 1% 301K
Resistor, 0402, 1%, 309K	MC 0.0625W 0402 1% 309K
Resistor, 0402, 1%, 316K	MC 0.0625W 0402 1% 316K
Resistor, 0402, 1%, 324K	MC 0.0625W 0402 1% 324K
Resistor, 0402, 1%, 332K	MC 0.0625W 0402 1% 332K
Resistor, 0402, 1%, 340K	MC 0.0625W 0402 1% 340K
Resistor, 0402, 1%, 348K	MC 0.0625W 0402 1% 348K
Resistor, 0402, 1%, 357K	MC 0.0625W 0402 1% 357K
Resistor, 0402, 1%, 365K	MC 0.0625W 0402 1% 365K
Resistor, 0402, 1%, 374K	MC 0.0625W 0402 1% 374K
Resistor, 0402, 1%, 383K	MC 0.0625W 0402 1% 383K
Resistor, 0402, 1%, 392K	MC 0.0625W 0402 1% 392K
Resistor, 0402, 1%, 402K	MC 0.0625W 0402 1% 402K
Resistor, 0402, 1%, 412K	MC 0.0625W 0402 1% 412K
Resistor, 0402, 1%, 422K	MC 0.0625W 0402 1% 422K
Resistor, 0402, 1%, 432K	MC 0.0625W 0402 1% 432K
Resistor, 0402, 1%, 442K	MC 0.0625W 0402 1% 442K
Resistor, 0402, 1%, 453K	MC 0.0625W 0402 1% 453K
Resistor, 0402, 1%, 464K	MC 0.0625W 0402 1% 464K
Resistor, 0402, 1%, 475K	MC 0.0625W 0402 1% 475K
Resistor, 0402, 1%, 487K	MC 0.0625W 0402 1% 487K
Resistor, 0402, 1%, 499K	MC 0.0625W 0402 1% 499K
Resistor, 0402, 1%, 511K	MC 0.0625W 0402 1% 511K
Resistor, 0402, 1%, 523K	MC 0.0625W 0402 1% 523K

0402

Thick Film Chip Resistor



Description	Part Number
Resistor, 0402, 1%, 536K	MC 0.0625W 0402 1% 536K
Resistor, 0402, 1%, 549K	MC 0.0625W 0402 1% 549K
Resistor, 0402, 1%, 562K	MC 0.0625W 0402 1% 562K
Resistor, 0402, 1%, 576K	MC 0.0625W 0402 1% 576K
Resistor, 0402, 1%, 590K	MC 0.0625W 0402 1% 590K
Resistor, 0402, 1%, 604K	MC 0.0625W 0402 1% 604K
Resistor, 0402, 1%, 619K	MC 0.0625W 0402 1% 619K
Resistor, 0402, 1%, 634K	MC 0.0625W 0402 1% 634K
Resistor, 0402, 1%, 649K	MC 0.0625W 0402 1% 649K
Resistor, 0402, 1%, 665K	MC 0.0625W 0402 1% 665K
Resistor, 0402, 1%, 681K	MC 0.0625W 0402 1% 681K
Resistor, 0402, 1%, 698K	MC 0.0625W 0402 1% 698K
Resistor, 0402, 1%, 715K	MC 0.0625W 0402 1% 715K
Resistor, 0402, 1%, 732K	MC 0.0625W 0402 1% 732K
Resistor, 0402, 1%, 768K	MC 0.0625W 0402 1% 768K
Resistor, 0402, 1%, 787K	MC 0.0625W 0402 1% 787K
Resistor, 0402, 1%, 806K	MC 0.0625W 0402 1% 806K
Resistor, 0402, 1%, 825K	MC 0.0625W 0402 1% 825K
Resistor, 0402, 1%, 845K	MC 0.0625W 0402 1% 845K
Resistor, 0402, 1%, 866K	MC 0.0625W 0402 1% 866K
Resistor, 0402, 1%, 887K	MC 0.0625W 0402 1% 887K
Resistor, 0402, 1%, 909K	MC 0.0625W 0402 1% 909K
Resistor, 0402, 1%, 931K	MC 0.0625W 0402 1% 931K
Resistor, 0402, 1%, 953K	MC 0.0625W 0402 1% 953K
Resistor, 0402, 1%, 976K	MC 0.0625W 0402 1% 976K
Resistor, 0402, 1R0, 1%, Full Reel	MC0.0625W04021%1R0FR
Resistor, 0402, 1R10, 1%, Full Reel	MC0.0625W04021%1R10FR
Resistor, 0402, 1R20, 1%, Full Reel	MC0.0625W04021%1R20FR
Resistor, 0402, 1R30, 1%, Full Reel	MC0.0625W04021%1R30FR
Resistor, 0402, 1R50, 1%, Full Reel	MC0.0625W04021%1R5FR
Resistor, 0402, 1R54, 1%, Full Reel	MC0.0625W04021%1R54FR
Resistor, 0402, 1R60, 1%, Full Reel	MC0.0625W04021%1R60FR
Resistor, 0402, 1R80, 1%, Full Reel	MC0.0625W04021%1R80FR
Resistor, 0402, 2R0, 1%, Full Reel	MC0.0625W04021%2R0FR
Resistor, 0402, 2R20, 1%, Full Reel	MC0.0625W04021%2R2FR
Resistor, 0402, 2R40, 1%, Full Reel	MC0.0625W04021%2R40FR
Resistor, 0402, 2R49, 1%, Full Reel	MC0.0625W04021%2R49FR

0402

Thick Film Chip Resistor



Description	Part Number
Resistor, 0402, 2R61, 1%, Full Reel	MC0.0625W04021%2R61FR
Resistor, 0402, 2R70, 1%, Full Reel	MC0.0625W04021%2R70FR
Resistor, 0402, 2R74, 1%, Full Reel	MC0.0625W04021%2R74FR
Resistor, 0402, 3R0, 1%, Full Reel	MC0.0625W04021%3R0FR
Resistor, 0402, 3R16, 1%, Full Reel	MC0.0625W04021%3R16FR
Resistor, 0402, 3R30, 1%, Full Reel	MC0.0625W04021%3R3FR
Resistor, 0402, 3R32, 1%, Full Reel	MC0.0625W04021%3R32FR
Resistor, 0402, 3R60, 1%, Full Reel	MC0.0625W04021%3R60FR
Resistor, 0402, 3R83, 1%, Full Reel	MC0.0625W04021%3R83FR
Resistor, 0402, 3R90, 1%, Full Reel	MC0.0625W04021%3R90FR
Resistor, 0402, 4R22, 1%, Full Reel	MC0.0625W04021%4R22FR
Resistor, 0402, 4R30, 1%, Full Reel	MC0.0625W04021%4R30FR
Resistor, 0402, 4R70, 1%, Full Reel	MC0.0625W04021%4R7FR
Resistor, 0402, 5R10, 1%, Full Reel	MC0.0625W04021%5R10FR
Resistor, 0402, 5R11, 1%, Full Reel	MC0.0625W04021%5R11FR
Resistor, 0402, 5R36, 1%, Full Reel	MC0.0625W04021%5R36FR
Resistor, 0402, 5R60, 1%, Full Reel	MC0.0625W04021%5R60FR
Resistor, 0402, 5R62, 1%, Full Reel	MC0.0625W04021%5R62FR
Resistor, 0402, 6R20, 1%, Full Reel	MC0.0625W04021%6R20FR
Resistor, 0402, 6R80, 1%, Full Reel	MC0.0625W04021%6R8FR
Resistor, 0402, 7R50, 1%, Full Reel	MC0.0625W04021%7R50FR
Resistor, 0402, 8R20, 1%, Full Reel	MC0.0625W04021%8R20FR
Resistor, 0402, 9R10, 1%, Full Reel	MC0.0625W04021%9R10FR
Resistor, 0402, 10R0, 1%, Full Reel	MC0.0625W04021%10RFR
Resistor, 0402, 10R5, 1%, Full Reel	MC0.0625W04021%10R5FR
Resistor, 0402, 11R0, 1%, Full Reel	MC0.0625W04021%11RFR
Resistor, 0402, 11R5, 1%, Full Reel	MC0.0625W04021%11R5FR
Resistor, 0402, 12R0, 1%, Full Reel	MC0.0625W04021%12RFR
Resistor, 0402, 12R1, 1%, Full Reel	MC0.0625W04021%12R1FR
Resistor, 0402, 12R7, 1%, Full Reel	MC0.0625W04021%12R7FR
Resistor, 0402, 13R0, 1%, Full Reel	MC0.0625W04021%13RFR
Resistor, 0402, 13R3, 1%, Full Reel	MC0.0625W04021%13R3FR
Resistor, 0402, 14R0, 1%, Full Reel	MC0.0625W04021%14RFR
Resistor, 0402, 14R7, 1%, Full Reel	MC0.0625W04021%14R7FR
Resistor, 0402, 15R0, 1%, Full Reel	MC0.0625W04021%15RFR
Resistor, 0402, 15R4, 1%, Full Reel	MC0.0625W04021%15R4FR
Resistor, 0402, 16R0, 1%, Full Reel	MC0.0625W04021%16RFR

0402

Thick Film Chip Resistor



Description	Part Number
Resistor, 0402, 16R2, 1%, Full Reel	MC0.0625W04021%16R2FR
Resistor, 0402, 16R9, 1%, Full Reel	MC0.0625W04021%16R9FR
Resistor, 0402, 17R8, 1%, Full Reel	MC0.0625W04021%17R8FR
Resistor, 0402, 18R0, 1%, Full Reel	MC0.0625W04021%18RFR
Resistor, 0402, 18R7, 1%, Full Reel	MC0.0625W04021%18R7FR
Resistor, 0402, 19R6, 1%, Full Reel	MC0.0625W04021%19R6FR
Resistor, 0402, 20R0, 1%, Full Reel	MC0.0625W04021%20RFR
Resistor, 0402, 20R5, 1%, Full Reel	MC0.0625W04021%20R5FR
Resistor, 0402, 21R5, 1%, Full Reel	MC0.0625W04021%21R5FR
Resistor, 0402, 22R0, 1%, Full Reel	MC0.0625W04021%22RFR
Resistor, 0402, 22R6, 1%, Full Reel	MC0.0625W04021%22R6FR
Resistor, 0402, 23R7, 1%, Full Reel	MC0.0625W04021%23R7FR
Resistor, 0402, 24R0, 1%, Full Reel	MC0.0625W04021%24RFR
Resistor, 0402, 24R9, 1%, Full Reel	MC0.0625W04021%24R9FR
Resistor, 0402, 26R1, 1%, Full Reel	MC0.0625W04021%26R1FR
Resistor, 0402, 27R0, 1%, Full Reel	MC0.0625W04021%27RFR
Resistor, 0402, 27R4, 1%, Full Reel	MC0.0625W04021%27R4FR
Resistor, 0402, 28R7, 1%, Full Reel	MC0.0625W04021%28R7FR
Resistor, 0402, 30R0, 1%, Full Reel	MC0.0625W04021%30RFR
Resistor, 0402, 30R1, 1%, Full Reel	MC0.0625W04021%30R1FR
Resistor, 0402, 31R6, 1%, Full Reel	MC0.0625W04021%31R6FR
Resistor, 0402, 33R0, 1%, Full Reel	MC0.0625W04021%33RFR
Resistor, 0402, 33R2, 1%, Full Reel	MC0.0625W04021%33R2FR
Resistor, 0402, 34R8, 1%, Full Reel	MC0.0625W04021%34R8FR
Resistor, 0402, 36R0, 1%, Full Reel	MC0.0625W04021%36RFR
Resistor, 0402, 36R5, 1%, Full Reel	MC0.0625W04021%36R5FR
Resistor, 0402, 38R3, 1%, Full Reel	MC0.0625W04021%38R3FR
Resistor, 0402, 39R0, 1%, Full Reel	MC0.0625W04021%39RFR
Resistor, 0402, 40R2, 1%, Full Reel	MC0.0625W04021%40R2FR
Resistor, 0402, 42R2, 1%, Full Reel	MC0.0625W04021%42R2FR
Resistor, 0402, 43R0, 1%, Full Reel	MC0.0625W04021%43RFR
Resistor, 0402, 44R2, 1%, Full Reel	MC0.0625W04021%44R2FR
Resistor, 0402, 46R4, 1%, Full Reel	MC0.0625W04021%46R4FR
Resistor, 0402, 47R0, 1%, Full Reel	MC0.0625W04021%47RFR
Resistor, 0402, 48R7, 1%, Full Reel	MC0.0625W04021%48R7FR
Resistor, 0402, 49R9, 1%, Full Reel	MC0.0625W04021%49R9FR
Resistor, 0402, 51R0, 1%, Full Reel	MC0.0625W04021%51RFR

0402

Thick Film Chip Resistor



Description	Part Number
Resistor, 0402, 51R1, 1%, Full Reel	MC0.0625W04021%51R1FR
Resistor, 0402, 53R6, 1%, Full Reel	MC0.0625W04021%53R6FR
Resistor, 0402, 56R0, 1%, Full Reel	MC0.0625W04021%56RFR
Resistor, 0402, 56R2, 1%, Full Reel	MC0.0625W04021%56R2FR
Resistor, 0402, 59R0, 1%, Full Reel	MC0.0625W04021%59RFR
Resistor, 0402, 61R9, 1%, Full Reel	MC0.0625W04021%61R9FR
Resistor, 0402, 62R0, 1%, Full Reel	MC0.0625W04021%62RFR
Resistor, 0402, 64R9, 1%, Full Reel	MC0.0625W04021%64R9FR
Resistor, 0402, 68R0, 1%, Full Reel	MC0.0625W04021%68RFR
Resistor, 0402, 68R1, 1%, Full Reel	MC0.0625W04021%68R1FR
Resistor, 0402, 71R5, 1%, Full Reel	MC0.0625W04021%71R5FR
Resistor, 0402, 75R0, 1%, Full Reel	MC0.0625W04021%75RFR
Resistor, 0402, 78R7, 1%, Full Reel	MC0.0625W04021%78R7FR
Resistor, 0402, 82R0, 1%, Full Reel	MC0.0625W04021%82RFR
Resistor, 0402, 82R5, 1%, Full Reel	MC0.0625W04021%82R5FR
Resistor, 0402, 86R6, 1%, Full Reel	MC0.0625W04021%86R6FR
Resistor, 0402, 90R9, 1%, Full Reel	MC0.0625W04021%90R9FR
Resistor, 0402, 91R0, 1%, Full Reel	MC0.0625W04021%91RFR
Resistor, 0402, 95R3, 1%, Full Reel	MC0.0625W04021%95R3FR
Resistor, 0402, 100R, 1%, Full Reel	MC0.0625W04021%100RFR
Resistor, 0402, 105R, 1%, Full Reel	MC0.0625W04021%105RFR
Resistor, 0402, 110R, 1%, Full Reel	MC0.0625W04021%110RFR
Resistor, 0402, 115R, 1%, Full Reel	MC0.0625W04021%115RFR
Resistor, 0402, 120R, 1%, Full Reel	MC0.0625W04021%120RFR
Resistor, 0402, 121R, 1%, Full Reel	MC0.0625W04021%121RFR
Resistor, 0402, 127R, 1%, Full Reel	MC0.0625W04021%127RFR
Resistor, 0402, 130R, 1%, Full Reel	MC0.0625W04021%130RFR
Resistor, 0402, 133R, 1%, Full Reel	MC0.0625W04021%133RFR
Resistor, 0402, 140R, 1%, Full Reel	MC0.0625W04021%140RFR
Resistor, 0402, 147R, 1%, Full Reel	MC0.0625W04021%147RFR
Resistor, 0402, 150R, 1%, Full Reel	MC0.0625W04021%150RFR
Resistor, 0402, 154R, 1%, Full Reel	MC0.0625W04021%154RFR
Resistor, 0402, 160R, 1%, Full Reel	MC0.0625W04021%160RFR
Resistor, 0402, 162R, 1%, Full Reel	MC0.0625W04021%162RFR
Resistor, 0402, 169R, 1%, Full Reel	MC0.0625W04021%169RFR
Resistor, 0402, 178R, 1%, Full Reel	MC0.0625W04021%178RFR
Resistor, 0402, 180R, 1%, Full Reel	MC0.0625W04021%180RFR

0402

Thick Film Chip Resistor



Description	Part Number
Resistor, 0402, 187R, 1%, Full Reel	MC0.0625W04021%187RFR
Resistor, 0402, 196R, 1%, Full Reel	MC0.0625W04021%196RFR
Resistor, 0402, 200R, 1%, Full Reel	MC0.0625W04021%200RFR
Resistor, 0402, 205R, 1%, Full Reel	MC0.0625W04021%205RFR
Resistor, 0402, 215R, 1%, Full Reel	MC0.0625W04021%215RFR
Resistor, 0402, 220R, 1%, Full Reel	MC0.0625W04021%220RFR
Resistor, 0402, 226R, 1%, Full Reel	MC0.0625W04021%226RFR
Resistor, 0402, 237R, 1%, Full Reel	MC0.0625W04021%237RFR
Resistor, 0402, 240R, 1%, Full Reel	MC0.0625W04021%240RFR
Resistor, 0402, 249R, 1%, Full Reel	MC0.0625W04021%249RFR
Resistor, 0402, 261R, 1%, Full Reel	MC0.0625W04021%261RFR
Resistor, 0402, 270R, 1%, Full Reel	MC0.0625W04021%270RFR
Resistor, 0402, 274R, 1%, Full Reel	MC0.0625W04021%274RFR
Resistor, 0402, 287R, 1%, Full Reel	MC0.0625W04021%287RFR
Resistor, 0402, 300R, 1%, Full Reel	MC0.0625W04021%300RFR
Resistor, 0402, 301R, 1%, Full Reel	MC0.0625W04021%301RFR
Resistor, 0402, 316R, 1%, Full Reel	MC0.0625W04021%316RFR
Resistor, 0402, 330R, 1%, Full Reel	MC0.0625W04021%330RFR
Resistor, 0402, 332R, 1%, Full Reel	MC0.0625W04021%332RFR
Resistor, 0402, 348R, 1%, Full Reel	MC0.0625W04021%348RFR
Resistor, 0402, 360R, 1%, Full Reel	MC0.0625W04021%360RFR
Resistor, 0402, 365R, 1%, Full Reel	MC0.0625W04021%365RFR
Resistor, 0402, 383R, 1%, Full Reel	MC0.0625W04021%383RFR
Resistor, 0402, 390R, 1%, Full Reel	MC0.0625W04021%390RFR
Resistor, 0402, 402R, 1%, Full Reel	MC0.0625W04021%402RFR
Resistor, 0402, 422R, 1%, Full Reel	MC0.0625W04021%422RFR
Resistor, 0402, 430R, 1%, Full Reel	MC0.0625W04021%430RFR
Resistor, 0402, 442R, 1%, Full Reel	MC0.0625W04021%442RFR
Resistor, 0402, 464R, 1%, Full Reel	MC0.0625W04021%464RFR
Resistor, 0402, 470R, 1%, Full Reel	MC0.0625W04021%470RFR
Resistor, 0402, 475R, 1%, Full Reel	MC0.0625W04021%475RFR
Resistor, 0402, 487R, 1%, Full Reel	MC0.0625W04021%487RFR
Resistor, 0402, 510R, 1%, Full Reel	MC0.0625W04021%510RFR
Resistor, 0402, 511R, 1%, Full Reel	MC0.0625W04021%511RFR
Resistor, 0402, 536R, 1%, Full Reel	MC0.0625W04021%536RFR
Resistor, 0402, 560R, 1%, Full Reel	MC0.0625W04021%560RFR
Resistor, 0402, 562R, 1%, Full Reel	MC0.0625W04021%562RFR

0402

Thick Film Chip Resistor



Description	Part Number
Resistor, 0402, 590R, 1%, Full Reel	MC0.0625W04021%590RFR
Resistor, 0402, 619R, 1%, Full Reel	MC0.0625W04021%619RFR
Resistor, 0402, 620R, 1%, Full Reel	MC0.0625W04021%620RFR
Resistor, 0402, 649R, 1%, Full Reel	MC0.0625W04021%649RFR
Resistor, 0402, 680R, 1%, Full Reel	MC0.0625W04021%680RFR
Resistor, 0402, 681R, 1%, Full Reel	MC0.0625W04021%681RFR
Resistor, 0402, 715R, 1%, Full Reel	MC0.0625W04021%715RFR
Resistor, 0402, 750R, 1%, Full Reel	MC0.0625W04021%750RFR
Resistor, 0402, 787R, 1%, Full Reel	MC0.0625W04021%787RFR
Resistor, 0402, 820R, 1%, Full Reel	MC0.0625W04021%820RFR
Resistor, 0402, 825R, 1%, Full Reel	MC0.0625W04021%825RFR
Resistor, 0402, 866R, 1%, Full Reel	MC0.0625W04021%866RFR
Resistor, 0402, 909R, 1%, Full Reel	MC0.0625W04021%909RFR
Resistor, 0402, 910R, 1%, Full Reel	MC0.0625W04021%910RFR
Resistor, 0402, 953R, 1%, Full Reel	MC0.0625W04021%953RFR
Resistor, 0402, 1K00, 1%, Full Reel	MC0.0625W04021%1KFR
Resistor, 0402, 1K05, 1%, Full Reel	MC0.0625W04021%1K05FR
Resistor, 0402, 1K10, 1%, Full Reel	MC0.0625W04021%1K1FR
Resistor, 0402, 1K15, 1%, Full Reel	MC0.0625W04021%1K15FR
Resistor, 0402, 1K20, 1%, Full Reel	MC0.0625W04021%1K2FR
Resistor, 0402, 1K21, 1%, Full Reel	MC0.0625W04021%1K21FR
Resistor, 0402, 1K27, 1%, Full Reel	MC0.0625W04021%1K27FR
Resistor, 0402, 1K30, 1%, Full Reel	MC0.0625W04021%1K3FR
Resistor, 0402, 1K33, 1%, Full Reel	MC0.0625W04021%1K33FR
Resistor, 0402, 1K40, 1%, Full Reel	MC0.0625W04021%1K4FR
Resistor, 0402, 1K47, 1%, Full Reel	MC0.0625W04021%1K47FR
Resistor, 0402, 1K50, 1%, Full Reel	MC0.0625W04021%1K5FR
Resistor, 0402, 1K54, 1%, Full Reel	MC0.0625W04021%1K54FR
Resistor, 0402, 1K60, 1%, Full Reel	MC0.0625W04021%1K6FR
Resistor, 0402, 1K62, 1%, Full Reel	MC0.0625W04021%1K62FR
Resistor, 0402, 1K69, 1%, Full Reel	MC0.0625W04021%1K69FR
Resistor, 0402, 1K78, 1%, Full Reel	MC0.0625W04021%1K78FR
Resistor, 0402, 1K80, 1%, Full Reel	MC0.0625W04021%1K8FR
Resistor, 0402, 1K87, 1%, Full Reel	MC0.0625W04021%1K87FR
Resistor, 0402, 1K96, 1%, Full Reel	MC0.0625W04021%1K96FR
Resistor, 0402, 2K00, 1%, Full Reel	MC0.0625W04021%2KFR
Resistor, 0402, 2K05, 1%, Full Reel	MC0.0625W04021%2K05FR

0402

Thick Film Chip Resistor



Description	Part Number
Resistor, 0402, 2K15, 1%, Full Reel	MC0.0625W04021%2K15FR
Resistor, 0402, 2K20, 1%, Full Reel	MC0.0625W04021%2K2FR
Resistor, 0402, 2K26, 1%, Full Reel	MC0.0625W04021%2K26FR
Resistor, 0402, 2K37, 1%, Full Reel	MC0.0625W04021%2K37FR
Resistor, 0402, 2K40, 1%, Full Reel	MC0.0625W04021%2K4FR
Resistor, 0402, 2K49, 1%, Full Reel	MC0.0625W04021%2K49FR
Resistor, 0402, 2K61, 1%, Full Reel	MC0.0625W04021%2K61FR
Resistor, 0402, 2K70, 1%, Full Reel	MC0.0625W04021%2K7FR
Resistor, 0402, 2K74, 1%, Full Reel	MC0.0625W04021%2K74FR
Resistor, 0402, 2K87, 1%, Full Reel	MC0.0625W04021%2K87FR
Resistor, 0402, 3K00, 1%, Full Reel	MC0.0625W04021%3KFR
Resistor, 0402, 3K01, 1%, Full Reel	MC0.0625W04021%3K01FR
Resistor, 0402, 3K16, 1%, Full Reel	MC0.0625W04021%3K16FR
Resistor, 0402, 3K30, 1%, Full Reel	MC0.0625W04021%3K3FR
Resistor, 0402, 3K32, 1%, Full Reel	MC0.0625W04021%3K32FR
Resistor, 0402, 3K48, 1%, Full Reel	MC0.0625W04021%3K48FR
Resistor, 0402, 3K60, 1%, Full Reel	MC0.0625W04021%3K6FR
Resistor, 0402, 3K65, 1%, Full Reel	MC0.0625W04021%3K65FR
Resistor, 0402, 3K83, 1%, Full Reel	MC0.0625W04021%3K83FR
Resistor, 0402, 3K90, 1%, Full Reel	MC0.0625W04021%3K9FR
Resistor, 0402, 4K02, 1%, Full Reel	MC0.0625W04021%4K02FR
Resistor, 0402, 4K22, 1%, Full Reel	MC0.0625W04021%4K22FR
Resistor, 0402, 4K30, 1%, Full Reel	MC0.0625W04021%4K3FR
Resistor, 0402, 4K42, 1%, Full Reel	MC0.0625W04021%4K42FR
Resistor, 0402, 4K64, 1%, Full Reel	MC0.0625W04021%4K64FR
Resistor, 0402, 4K70, 1%, Full Reel	MC0.0625W04021%4K7FR
Resistor, 0402, 4K75, 1%, Full Reel	MC0.0625W04021%4K75FR
Resistor, 0402, 4K87, 1%, Full Reel	MC0.0625W04021%4K87FR
Resistor, 0402, 4K99, 1%, Full Reel	MC0.0625W04021%4K99FR
Resistor, 0402, 5K10, 1%, Full Reel	MC0.0625W04021%5K1FR
Resistor, 0402, 5K11, 1%, Full Reel	MC0.0625W04021%5K11FR
Resistor, 0402, 5K36, 1%, Full Reel	MC0.0625W04021%5K36FR
Resistor, 0402, 5K60, 1%, Full Reel	MC0.0625W04021%5K6FR
Resistor, 0402, 5K62, 1%, Full Reel	MC0.0625W04021%5K62FR
Resistor, 0402, 5K90, 1%, Full Reel	MC0.0625W04021%5K9FR
Resistor, 0402, 6K04, 1%, Full Reel	MC0.0625W04021%6K04FR
Resistor, 0402, 6K19, 1%, Full Reel	MC0.0625W04021%6K19FR

0402

Thick Film Chip Resistor



Description	Part Number
Resistor, 0402, 6K20, 1%, Full Reel	MC0.0625W04021%6K2FR
Resistor, 0402, 6K49, 1%, Full Reel	MC0.0625W04021%6K49FR
Resistor, 0402, 6K80, 1%, Full Reel	MC0.0625W04021%6K8FR
Resistor, 0402, 6K81, 1%, Full Reel	MC0.0625W04021%6K81FR
Resistor, 0402, 7K15, 1%, Full Reel	MC0.0625W04021%7K15FR
Resistor, 0402, 7K50, 1%, Full Reel	MC0.0625W04021%7K5FR
Resistor, 0402, 7K87, 1%, Full Reel	MC0.0625W04021%7K87FR
Resistor, 0402, 8K20, 1%, Full Reel	MC0.0625W04021%8K2FR
Resistor, 0402, 8K25, 1%, Full Reel	MC0.0625W04021%8K25FR
Resistor, 0402, 8K66, 1%, Full Reel	MC0.0625W04021%8K66FR
Resistor, 0402, 9K09, 1%, Full Reel	MC0.0625W04021%9K09FR
Resistor, 0402, 9K10, 1%, Full Reel	MC0.0625W04021%9K1FR
Resistor, 0402, 9K53, 1%, Full Reel	MC0.0625W04021%9K53FR
Resistor, 0402, 10K0, 1%, Full Reel	MC0.0625W04021%10KFR
Resistor, 0402, 10K5, 1%, Full Reel	MC0.0625W04021%10K5FR
Resistor, 0402, 11K0, 1%, Full Reel	MC0.0625W04021%11KFR
Resistor, 0402, 11K5, 1%, Full Reel	MC0.0625W04021%11K5FR
Resistor, 0402, 12K0, 1%, Full Reel	MC0.0625W04021%12KFR
Resistor, 0402, 12K1, 1%, Full Reel	MC0.0625W04021%12K1FR
Resistor, 0402, 12K4, 1%, Full Reel	MC0.0625W04021%12K4FR
Resistor, 0402, 12K7, 1%, Full Reel	MC0.0625W04021%12K7FR
Resistor, 0402, 13K0, 1%, Full Reel	MC0.0625W04021%13KFR
Resistor, 0402, 13K3, 1%, Full Reel	MC0402WGF1332TCEFR
Resistor, 0402, 14K0, 1%, Full Reel	MC0.0625W04021%14KFR
Resistor, 0402, 14K7, 1%, Full Reel	MC0.0625W04021%14K7FR
Resistor, 0402, 15K0, 1%, Full Reel	MC0.0625W04021%15KFR
Resistor, 0402, 15K4, 1%, Full Reel	MC0.0625W04021%15K4FR
Resistor, 0402, 16K0, 1%, Full Reel	MC0.0625W04021%16KFR
Resistor, 0402, 16K2, 1%, Full Reel	MC0.0625W04021%16K2FR
Resistor, 0402, 16K9, 1%, Full Reel	MC0.0625W04021%16K9FR
Resistor, 0402, 17K8, 1%, Full Reel	MC0.0625W04021%17K8FR
Resistor, 0402, 18K0, 1%, Full Reel	MC0.0625W04021%18KFR
Resistor, 0402, 18K7, 1%, Full Reel	MC0.0625W04021%18K7FR
Resistor, 0402, 19K6, 1%, Full Reel	MC0.0625W04021%19K6FR
Resistor, 0402, 20K0, 1%, Full Reel	MC0.0625W04021%20KFR
Resistor, 0402, 20K5, 1%, Full Reel	MC0.0625W04021%20K5FR
Resistor, 0402, 21K5, 1%, Full Reel	MC0.0625W04021%21K5FR

0402

Thick Film Chip Resistor



Description	Part Number
Resistor, 0402, 22K0, 1%, Full Reel	MC0.0625W04021%22KFR
Resistor, 0402, 22K6, 1%, Full Reel	MC0.0625W04021%22K6FR
Resistor, 0402, 23K7, 1%, Full Reel	MC0.0625W04021%23K7FR
Resistor, 0402, 24K0, 1%, Full Reel	MC0.0625W04021%24KFR
Resistor, 0402, 24K9, 1%, Full Reel	MC0.0625W04021%24K9FR
Resistor, 0402, 26K1, 1%, Full Reel	MC0.0625W04021%26K1FR
Resistor, 0402, 27K0, 1%, Full Reel	MC0.0625W04021%27KFR
Resistor, 0402, 27K4, 1%, Full Reel	MC0.0625W04021%27K4FR
Resistor, 0402, 28K7, 1%, Full Reel	MC0.0625W04021%28K7FR
Resistor, 0402, 30K0, 1%, Full Reel	MC0.0625W04021%30KFR
Resistor, 0402, 30K1, 1%, Full Reel	MC0.0625W04021%30K1FR
Resistor, 0402, 31K6, 1%, Full Reel	MC0.0625W04021%31K6FR
Resistor, 0402, 33K0, 1%, Full Reel	MC0.0625W04021%33KFR
Resistor, 0402, 33K2, 1%, Full Reel	MC0.0625W04021%33K2FR
Resistor, 0402, 34K8, 1%, Full Reel	MC0.0625W04021%34K8FR
Resistor, 0402, 36K0, 1%, Full Reel	MC0.0625W04021%36KFR
Resistor, 0402, 36K5, 1%, Full Reel	MC0.0625W04021%36K5FR
Resistor, 0402, 38K3, 1%, Full Reel	MC0.0625W04021%38K3FR
Resistor, 0402, 39K0, 1%, Full Reel	MC0.0625W04021%39KFR
Resistor, 0402, 40K2, 1%, Full Reel	MC0.0625W04021%40K2FR
Resistor, 0402, 42K2, 1%, Full Reel	MC0.0625W04021%42K2FR
Resistor, 0402, 43K0, 1%, Full Reel	MC0.0625W04021%43KFR
Resistor, 0402, 44K2, 1%, Full Reel	MC0.0625W04021%44K2FR
Resistor, 0402, 46K4, 1%, Full Reel	MC0.0625W04021%46K4FR
Resistor, 0402, 47K0, 1%, Full Reel	MC0.0625W04021%47KFR
Resistor, 0402, 47K5, 1%, Full Reel	MC0.0625W04021%47K5FR
Resistor, 0402, 48K7, 1%, Full Reel	MC0.0625W04021%48K7FR
Resistor, 0402, 49K9, 1%, Full Reel	MC0.0625W04021%49K9FR
Resistor, 0402, 51K0, 1%, Full Reel	MC0.0625W04021%51KFR
Resistor, 0402, 51K1, 1%, Full Reel	MC0.0625W04021%51K1FR
Resistor, 0402, 53K6, 1%, Full Reel	MC0.0625W04021%53K6FR
Resistor, 0402, 56K0, 1%, Full Reel	MC0.0625W04021%56KFR
Resistor, 0402, 56K2, 1%, Full Reel	MC0.0625W04021%56K2FR
Resistor, 0402, 59K0, 1%, Full Reel	MC0.0625W04021%59KFR
Resistor, 0402, 61K9, 1%, Full Reel	MC0.0625W04021%61K9FR
Resistor, 0402, 62K0, 1%, Full Reel	MC0.0625W04021%62KFR
Resistor, 0402, 64K9, 1%, Full Reel	MC0.0625W04021%64K9FR

0402

Thick Film Chip Resistor



Description	Part Number
Resistor, 0402, 68K0, 1%, Full Reel	MC0.0625W04021%68KFR
Resistor, 0402, 68K1, 1%, Full Reel	MC0.0625W04021%68K1FR
Resistor, 0402, 71K5, 1%, Full Reel	MC0.0625W04021%71K5FR
Resistor, 0402, 75K0, 1%, Full Reel	MC0.0625W04021%75KFR
Resistor, 0402, 78K7, 1%, Full Reel	MC0.0625W04021%78K7FR
Resistor, 0402, 82K0, 1%, Full Reel	MC0.0625W04021%82KFR
Resistor, 0402, 82K5, 1%, Full Reel	MC0.0625W04021%82K5FR
Resistor, 0402, 86K6, 1%, Full Reel	MC0.0625W04021%86K6FR
Resistor, 0402, 90K9, 1%, Full Reel	MC0.0625W04021%90K9FR
Resistor, 0402, 91K0, 1%, Full Reel	MC0.0625W04021%91KFR
Resistor, 0402, 95K3, 1%, Full Reel	MC0.0625W04021%95K3FR
Resistor, 0402, 100K, 1%, Full Reel	MC0.0625W04021%100KFR
Resistor, 0402, 105K, 1%, Full Reel	MC0.0625W04021%105KFR
Resistor, 0402, 110K, 1%, Full Reel	MC0.0625W04021%110KFR
Resistor, 0402, 115K, 1%, Full Reel	MC0.0625W04021%115KFR
Resistor, 0402, 120K, 1%, Full Reel	MC0.0625W04021%120KFR
Resistor, 0402, 121K, 1%, Full Reel	MC0.0625W04021%121KFR
Resistor, 0402, 127K, 1%, Full Reel	MC0.0625W04021%127KFR
Resistor, 0402, 130K, 1%, Full Reel	MC0402WGF1303TCEFR
Resistor, 0402, 133K, 1%, Full Reel	MC0.0625W04021%133KFR
Resistor, 0402, 140K, 1%, Full Reel	MC0.0625W04021%140KFR
Resistor, 0402, 147K, 1%, Full Reel	MC0.0625W04021%147KFR
Resistor, 0402, 150K, 1%, Full Reel	MC0.0625W04021%150KFR
Resistor, 0402, 154K, 1%, Full Reel	MC0.0625W04021%154KFR
Resistor, 0402, 160K, 1%, Full Reel	MC0.0625W04021%160KFR
Resistor, 0402, 162K, 1%, Full Reel	MC0.0625W04021%162KFR
Resistor, 0402, 169K, 1%, Full Reel	MC0.0625W04021%169KFR
Resistor, 0402, 178K, 1%, Full Reel	MC0.0625W04021%178KFR
Resistor, 0402, 180K, 1%, Full Reel	MC0.0625W04021%180KFR
Resistor, 0402, 187K, 1%, Full Reel	MC0.0625W04021%187KFR
Resistor, 0402, 196K, 1%, Full Reel	MC0.0625W04021%196KFR
Resistor, 0402, 200K, 1%, Full Reel	MC0.0625W04021%200KFR
Resistor, 0402, 205K, 1%, Full Reel	MC0.0625W04021%205KFR
Resistor, 0402, 215K, 1%, Full Reel	MC0.0625W04021%215KFR
Resistor, 0402, 220K, 1%, Full Reel	MC0.0625W04021%220KFR
Resistor, 0402, 226K, 1%, Full Reel	MC0.0625W04021%226KFR
Resistor, 0402, 237K, 1%, Full Reel	MC0.0625W04021%237KFR

0402

Thick Film Chip Resistor



Description	Part Number
Resistor, 0402, 240K, 1%, Full Reel	MC0.0625W04021%240KFR
Resistor, 0402, 249K, 1%, Full Reel	MC0.0625W04021%249KFR
Resistor, 0402, 261K, 1%, Full Reel	MC0.0625W04021%261KFR
Resistor, 0402, 270K, 1%, Full Reel	MC0.0625W04021%270KFR
Resistor, 0402, 274K, 1%, Full Reel	MC0.0625W04021%274KFR
Resistor, 0402, 287K, 1%, Full Reel	MC0.0625W04021%287KFR
Resistor, 0402, 300K, 1%, Full Reel	MC0.0625W04021%300KFR
Resistor, 0402, 301K, 1%, Full Reel	MC0.0625W04021%301KFR
Resistor, 0402, 316K, 1%, Full Reel	MC0.0625W04021%316KFR
Resistor, 0402, 330K, 1%, Full Reel	MC0.0625W04021%330KFR
Resistor, 0402, 332K, 1%, Full Reel	MC0.0625W04021%332KFR
Resistor, 0402, 348K, 1%, Full Reel	MC0.0625W04021%348KFR
Resistor, 0402, 360K, 1%, Full Reel	MC0.0625W04021%360KFR
Resistor, 0402, 365K, 1%, Full Reel	MC0.0625W04021%365KFR
Resistor, 0402, 383K, 1%, Full Reel	MC0.0625W04021%383KFR
Resistor, 0402, 390K, 1%, Full Reel	MC0.0625W04021%390KFR
Resistor, 0402, 402K, 1%, Full Reel	MC0.0625W04021%402KFR
Resistor, 0402, 422K, 1%, Full Reel	MC0.0625W04021%422KFR
Resistor, 0402, 430K, 1%, Full Reel	MC0.0625W04021%430KFR
Resistor, 0402, 442K, 1%, Full Reel	MC0.0625W04021%442KFR
Resistor, 0402, 464K, 1%, Full Reel	MC0.0625W04021%464KFR
Resistor, 0402, 470K, 1%, Full Reel	MC0.0625W04021%470KFR
Resistor, 0402, 487K, 1%, Full Reel	MC0.0625W04021%487KFR
Resistor, 0402, 499K, 1%, Full Reel	MC0.0625W04021%499KFR
Resistor, 0402, 510K, 1%, Full Reel	MC0.0625W04021%510KFR
Resistor, 0402, 511K, 1%, Full Reel	MC0.0625W04021%511KFR
Resistor, 0402, 536K, 1%, Full Reel	MC0.0625W04021%536KFR
Resistor, 0402, 560K, 1%, Full Reel	MC0.0625W04021%560KFR
Resistor, 0402, 562K, 1%, Full Reel	MC0.0625W04021%562KFR
Resistor, 0402, 590K, 1%, Full Reel	MC0.0625W04021%590KFR
Resistor, 0402, 619K, 1%, Full Reel	MC0.0625W04021%619KFR
Resistor, 0402, 620K, 1%, Full Reel	MC0.0625W04021%620KFR
Resistor, 0402, 649K, 1%, Full Reel	MC0.0625W04021%649KFR
Resistor, 0402, 680K, 1%, Full Reel	MC0.0625W04021%680KFR
Resistor, 0402, 681K, 1%, Full Reel	MC0.0625W04021%681KFR
Resistor, 0402, 715K, 1%, Full Reel	MC0.0625W04021%715KFR
Resistor, 0402, 750K, 1%, Full Reel	MC0.0625W04021%750KFR

0402

Thick Film Chip Resistor



Description	Part Number
Resistor, 0402, 787K, 1%, Full Reel	MC0.0625W04021%787KFR
Resistor, 0402, 820K, 1%, Full Reel	MC0.0625W04021%820KFR
Resistor, 0402, 825K, 1%, Full Reel	MC0.0625W04021%825KFR
Resistor, 0402, 866K, 1%, Full Reel	MC0.0625W04021%866KFR
Resistor, 0402, 909K, 1%, Full Reel	MC0.0625W04021%909KFR
Resistor, 0402, 910K, 1%, Full Reel	MC0.0625W04021%910KFR
Resistor, 0402, 953K, 1%, Full Reel	MC0.0625W04021%953KFR
Resistor, 0402, 1M00, 1%, Full Reel	MC0.0625W04021%1MFR
Resistor, 0402, 1M05, 1%, Full Reel	MC0.0625W04021%1M05FR
Resistor, 0402, 1M10, 1%, Full Reel	MC0.0625W04021%1M10FR
Resistor, 0402, 1M20, 1%, Full Reel	MC0.0625W04021%1M20FR
Resistor, 0402, 1M21, 1%, Full Reel	MC0.0625W04021%1M21FR
Resistor, 0402, 1M27, 1%, Full Reel	MC0.0625W04021%1M27FR
Resistor, 0402, 1M30, 1%, Full Reel	MC0.0625W04021%1M30FR
Resistor, 0402, 1M40, 1%, Full Reel	MC0.0625W04021%1M40FR
Resistor, 0402, 1M47, 1%, Full Reel	MC0.0625W04021%1M47FR
Resistor, 0402, 1M50, 1%, Full Reel	MC0.0625W04021%1M50FR
Resistor, 0402, 1M60, 1%, Full Reel	MC0.0625W04021%1M60FR
Resistor, 0402, 1M69, 1%, Full Reel	MC0.0625W04021%1M69FR
Resistor, 0402, 1M80, 1%, Full Reel	MC0.0625W04021%1M80FR
Resistor, 0402, 2M00, 1%, Full Reel	MC0.0625W04021%2M00FR
Resistor, 0402, 2M20, 1%, Full Reel	MC0.0625W04021%2M20FR
Resistor, 0402, 2M40, 1%, Full Reel	MC0.0625W04021%2M40FR
Resistor, 0402, 2M70, 1%, Full Reel	MC0.0625W04021%2M70FR
Resistor, 0402, 2M87, 1%, Full Reel	MC0.0625W04021%2M87FR
Resistor, 0402, 3M00, 1%, Full Reel	MC0.0625W04021%3M00FR
Resistor, 0402, 3M01, 1%, Full Reel	MC0.0625W04021%3M01FR
Resistor, 0402, 3M30, 1%, Full Reel	MC0.0625W04021%3M30FR
Resistor, 0402, 3M32, 1%, Full Reel	MC0.0625W04021%3M32FR
Resistor, 0402, 3M60, 1%, Full Reel	MC0.0625W04021%3M60FR
Resistor, 0402, 3M90, 1%, Full Reel	MC0.0625W04021%3M90FR
Resistor, 0402, 4M02, 1%, Full Reel	MC0.0625W04021%4M02FR
Resistor, 0402, 4M30, 1%, Full Reel	MC0.0625W04021%4M30FR
Resistor, 0402, 4M70, 1%, Full Reel	MC0.0625W04021%4M70FR
Resistor, 0402, 4M87, 1%, Full Reel	MC0.0625W04021%4M87FR
Resistor, 0402, 5M10, 1%, Full Reel	MC0.0625W04021%5M10FR
Resistor, 0402, 5M36, 1%, Full Reel	MC0.0625W04021%5M36FR

0402

Thick Film Chip Resistor



Description	Part Number
Resistor, 0402, 5M60, 1%, Full Reel	MC0.0625W04021%5M60FR
Resistor, 0402, 6M20, 1%, Full Reel	MC0.0625W04021%6M20FR
Resistor, 0402, 6M80, 1%, Full Reel	MC0.0625W04021%6M80FR
Resistor, 0402, 7M50, 1%, Full Reel	MC0.0625W04021%7M50FR
Resistor, 0402, 8M20, 1%, Full Reel	MC0.0625W04021%8M20FR
Resistor, 0402, 9M10, 1%, Full Reel	MC0.0625W04021%9M10FR
Resistor, 0402, 10M0, 1%, Full Reel	MC0.0625W04021%10M0FR
Resistor, 0402, 1R0, 1%	MC0.0625W04021%1R0
Resistor, 0402, 1R10, 1%	MC0.0625W04021%1R10
Resistor, 0402, 1R20, 1%	MC0.0625W04021%1R20
Resistor, 0402, 1R30, 1%	MC0.0625W04021%1R30
Resistor, 0402, 1R54, 1%	MC0.0625W04021%1R54
Resistor, 0402, 1R60, 1%	MC0.0625W04021%1R60
Resistor, 0402, 1R80, 1%	MC0.0625W04021%1R80
Resistor, 0402, 2R0, 1%	MC0.0625W04021%2R0
Resistor, 0402, 2R40, 1%	MC0.0625W04021%2R40
Resistor, 0402, 2R49, 1%	MC0.0625W04021%2R49
Resistor, 0402, 2R61, 1%	MC0.0625W04021%2R61
Resistor, 0402, 2R70, 1%	MC0.0625W04021%2R70
Resistor, 0402, 2R74, 1%	MC0.0625W04021%2R74
Resistor, 0402, 3R0, 1%	MC0.0625W04021%3R0
Resistor, 0402, 3R16, 1%	MC0.0625W04021%3R16
Resistor, 0402, 3R32, 1%	MC0.0625W04021%3R32
Resistor, 0402, 3R60, 1%	MC0.0625W04021%3R60
Resistor, 0402, 3R83, 1%	MC0.0625W04021%3R83
Resistor, 0402, 3R90, 1%	MC0.0625W04021%3R90
Resistor, 0402, 4R22, 1%	MC0.0625W04021%4R22
Resistor, 0402, 4R30, 1%	MC0.0625W04021%4R30
Resistor, 0402, 5R10, 1%	MC0.0625W04021%5R10
Resistor, 0402, 5R11, 1%	MC0.0625W04021%5R11
Resistor, 0402, 5R36, 1%	MC0.0625W04021%5R36
Resistor, 0402, 5R60, 1%	MC0.0625W04021%5R60
Resistor, 0402, 5R62, 1%	MC0.0625W04021%5R62
Resistor, 0402, 6R20, 1%	MC0.0625W04021%6R20
Resistor, 0402, 7R50, 1%	MC0.0625W04021%7R50
Resistor, 0402, 8R20, 1%	MC0.0625W04021%8R20

0402

Thick Film Chip Resistor



Description	Part Number
Resistor, 0402, 9R10, 1%	MC0.0625W04021%9R10
Resistor, 0402, 51R1, 1%	MC0.0625W04021%51R1
Resistor, 0402, 121R, 1%	MC0.0625W04021%121R
Resistor, 0402, 127R, 1%	MC0.0625W04021%127R
Resistor, 0402, 240R, 1%	MC0.0625W04021%240R
Resistor, 0402, 383R, 1%	MC0.0625W04021%383R
Resistor, 0402, 3K32, 1%	MC0.0625W04021%3K32
Resistor, 0402, 12K7, 1%	MC0.0625W04021%12K7
Resistor, 0402, 16K9, 1%	MC0.0625W04021%16K9
Resistor, 0402, 44K2, 1%	MC0.0625W04021%44K2
Resistor, 0402, 47K5, 1%	MC0.0625W04021%47K5
Resistor, 0402, 162K, 1%	MC0.0625W04021%162K
Resistor, 0402, 178K, 1%	MC0.0625W04021%178K
Resistor, 0402, 215K, 1%	MC0.0625W04021%215K
Resistor, 0402, 1M05, 1%	MC0.0625W04021%1M05
Resistor, 0402, 1M10, 1%	MC0.0625W04021%1M10
Resistor, 0402, 1M20, 1%	MC0.0625W04021%1M20
Resistor, 0402, 1M21, 1%	MC0.0625W04021%1M21
Resistor, 0402, 1M27, 1%	MC0.0625W04021%1M27
Resistor, 0402, 1M30, 1%	MC0.0625W04021%1M30
Resistor, 0402, 1M40, 1%	MC0.0625W04021%1M40
Resistor, 0402, 1M47, 1%	MC0.0625W04021%1M47
Resistor, 0402, 1M50, 1%	MC0.0625W04021%1M50
Resistor, 0402, 1M60, 1%	MC0.0625W04021%1M60
Resistor, 0402, 1M69, 1%	MC0.0625W04021%1M69
Resistor, 0402, 1M80, 1%	MC0.0625W04021%1M80
Resistor, 0402, 2M00, 1%	MC0.0625W04021%2M00
Resistor, 0402, 2M20, 1%	MC0.0625W04021%2M20
Resistor, 0402, 2M40, 1%	MC0.0625W04021%2M40
Resistor, 0402, 2M70, 1%	MC0.0625W04021%2M70
Resistor, 0402, 2M87, 1%	MC0.0625W04021%2M87
Resistor, 0402, 3M00, 1%	MC0.0625W04021%3M00
Resistor, 0402, 3M01, 1%	MC0.0625W04021%3M01
Resistor, 0402, 3M30, 1%	MC0.0625W04021%3M30
Resistor, 0402, 3M32, 1%	MC0.0625W04021%3M32
Resistor, 0402, 3M60, 1%	MC0.0625W04021%3M60

0402

Thick Film Chip Resistor



Description	Part Number
Resistor, 0402, 3M90, 1%	MC0.0625W04021%3M90
Resistor, 0402, 4M02, 1%	MC0.0625W04021%4M02
Resistor, 0402, 4M30, 1%	MC0.0625W04021%4M30
Resistor, 0402, 4M70, 1%	MC0.0625W04021%4M70
Resistor, 0402, 4M87, 1%	MC0.0625W04021%4M87
Resistor, 0402, 5M10, 1%	MC0.0625W04021%5M10
Resistor, 0402, 5M36, 1%	MC0.0625W04021%5M36
Resistor, 0402, 5M60, 1%	MC0.0625W04021%5M60
Resistor, 0402, 6M20, 1%	MC0.0625W04021%6M20
Resistor, 0402, 6M80, 1%	MC0.0625W04021%6M80
Resistor, 0402, 7M50, 1%	MC0.0625W04021%7M50
Resistor, 0402, 8M20, 1%	MC0.0625W04021%8M20
Resistor, 0402, 9M10, 1%	MC0.0625W04021%9M10
Resistor, 0402, 10M0, 1%	MC0.0625W04021%10M0

Important Notice : This data sheet and its contents (the "Information") belong to the members of the Premier Farnell group of companies (the "Group") or are licensed to it. No licence is granted for the use of it other than for information purposes in connection with the products to which it relates. No licence of any intellectual property rights is granted. The Information is subject to change without notice and replaces all data sheets previously supplied. The Information supplied is believed to be accurate but the Group assumes no responsibility for its accuracy or completeness, any error in or omission from it or for any use made of it. Users of this data sheet should check for themselves the Information and the suitability of the products for their purpose and not make any assumptions based on information included or omitted. Liability for loss or damage resulting from any reliance on the Information or use of it (including liability resulting from negligence or where the Group was aware of the possibility of such loss or damage arising) is excluded. This will not operate to limit or restrict the Group's liability for death or personal injury resulting from its negligence. Multicomp is the registered trademark of the Group. © Premier Farnell plc 2012.

www.element14.com
www.farnell.com
www.newark.com

