

Panel Mount Mini Solid State Relay

Single Phase AC Output

multicomp PRO

**RoHS
Compliant**



Description

The industrial single phase relay with TRIAC output is widely used in industry applications. The relay can be used for resistive, inductive or capacitive load. The control voltage is 4-32V DC, output current is rated at 10A, 16A or 25A.

Application

High-low Temperature Chamber, Food Machine, Industrial Machine.

Features

- Zero-crossing
- Rated Load Current: 10A, 16A, 25A
- Opto-isolation: $\geq 4000V$ ACrms
- With LED Indication
- Internal RC Protection Circuit
- MOV Protection (Optional)

Technical Specification

Input Circuit		
Control Voltage Range		4-32V DC
Minimum Turn-on Voltage		4V DC
Minimum Turn-off Voltage		1V DC
Maximum Input Current		25mA
Output Circuit		
Load Voltage		24-280V AC
Maximum Turn-on Time	Zero Crossing	10ms
Maximum Turn-off Time		10ms
Maximum Surge Current [@10ms]	10A	100A
	16A	160A
	25A	250A
Transient Over voltage		600Vpk
Maximum Off-State Leakage Current [@ Rated Voltage]		5mA
Maximum On-State Voltage Drop [@ Rated Current]		1.5Vrms
Minimum Off-State dv/dt [@ Maximum Rated Voltage]		200 V/ μ s

Newark.com/multicomp-pro
Farnell.com/multicomp-pro
Element14.com/multicomp-pro

multicomp PRO

Panel Mount Mini Solid State Relay

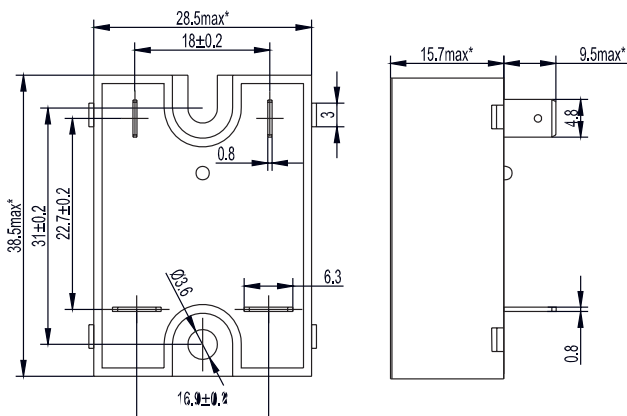
Single Phase AC Output

multicomp PRO

General Information		
Dielectric Strength, [50/60Hz]	Input/Output	≥4000Vrms
	Input, Output/Base	≥2500Vrms
Power Factor		>0.5
Ambient Operating Temperature Range		-30°C ~ +80°C
Ambient Storage Temperature Range		-30°C ~ +100°C
Weight [Typical]		33g

Installation Drawing

Customized Quick Connect



Dimensions : Millimetres

Wiring Diagram

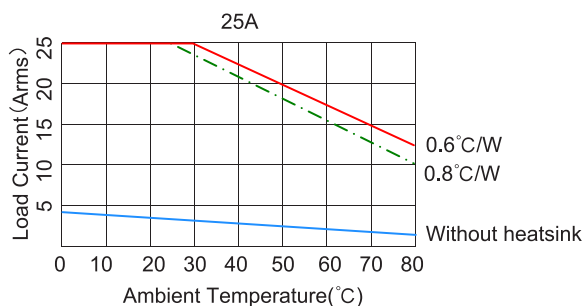
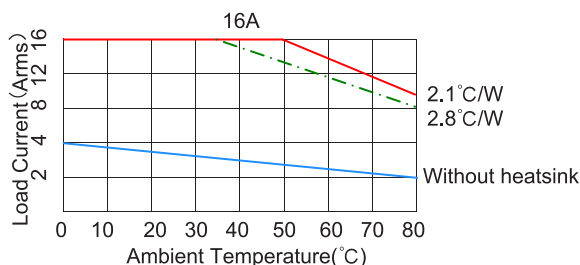
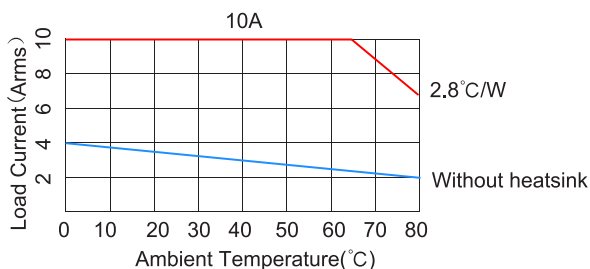


Panel Mount Mini Solid State Relay

Single Phase AC Output

multicomp PRO

Thermal Curve



Part Number Table

Description	Part Number
SSR, Mini, Panel Mount, Quick Connect, 10A, 240V AC, 4-32V DC, Zero Crossing, TRIAC	MC002355
SSR, Mini, Panel Mount, Quick Connect, 16A, 240V AC, 4-32V DC, Zero Crossing, TRIAC	MC002356
SSR, Mini, Panel Mount, Quick Connect, 25A, 240V AC, 4-32V DC, Zero Crossing, TRIAC	MC002357

Important Notice : This data sheet and its contents (the "Information") belong to the members of the AVNET group of companies (the "Group") or are licensed to it. No licence is granted for the use of it other than for information purposes in connection with the products to which it relates. No licence of any intellectual property rights is granted. The Information is subject to change without notice and replaces all data sheets previously supplied. The Information supplied is believed to be accurate but the Group assumes no responsibility for its accuracy or completeness, any error in or omission from it or for any use made of it. Users of this data sheet should check for themselves the Information and the suitability of the products for their purpose and not make any assumptions based on information included or omitted. Liability for loss or damage resulting from any reliance on the Information or use of it (including liability resulting from negligence or where the Group was aware of the possibility of such loss or damage arising) is excluded. This will not operate to limit or restrict the Group's liability for death or personal injury resulting from its negligence. Multicomp Pro is the registered trademark of Premier Farnell Limited 2019.

Newark.com/multicomp-pro
 Farnell.com/multicomp-pro
 Element14.com/multicomp-pro

multicomp PRO