

# RF / Coaxial Cable Assembly

## IP67 SMA Bulkhead Jack-to-MMCX Right Angle Plug, 100mm

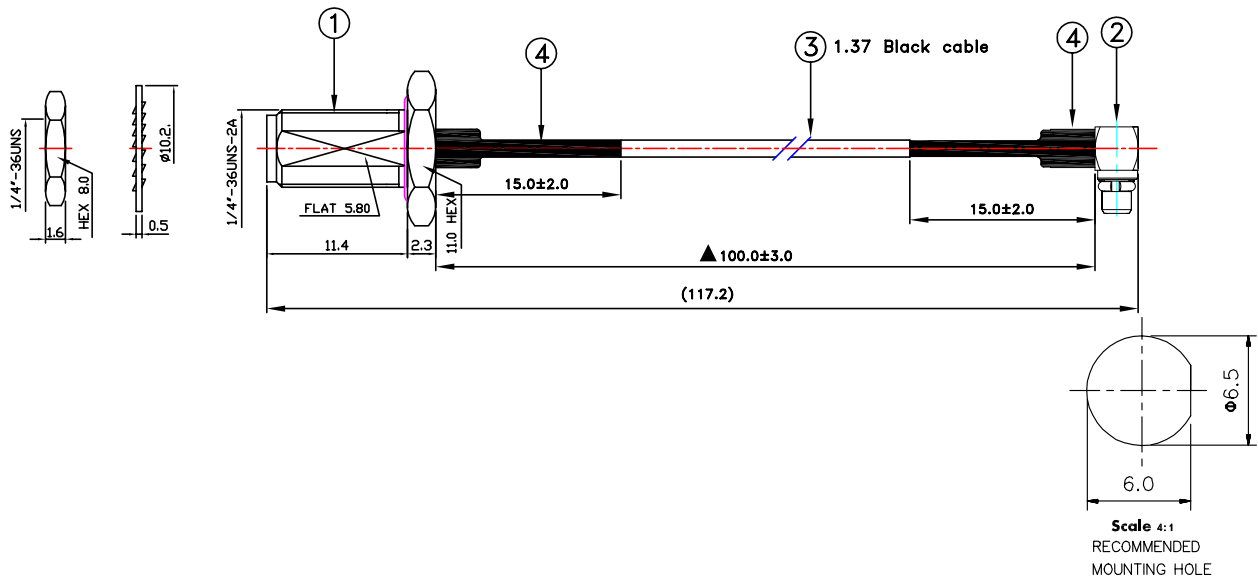
# multicomp PRO

## RoHS Compliant



### Electrical Performance:

Impedance	: 50Ω
Frequency Range	: DC ~ 6.0 Ghz
Working Voltage	: 170Vrms Max.
Dielectric Withstanding Voltage	: 500Vrms Max.
Insulator Resistance	: 1000MΩ Min.

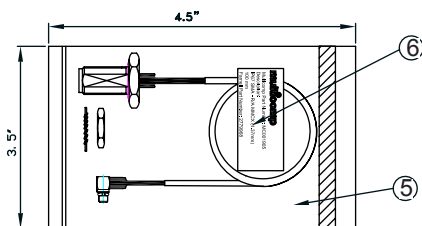


Scale 4:1  
RECOMMENDED  
MOUNTING HOLE

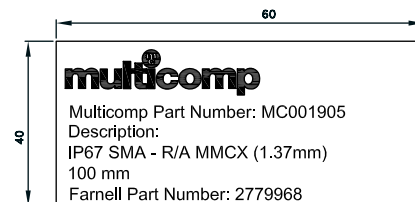
Sl.	Description	Qty
1.	SMA IP67 B/H Jack Crimp Type for OD 1.37mm cable	1
2.	MMCX Right Angle Plug for OD 1.37mm Cable	
3.	1.37mm Black Cable	
4.	Heat Shrink Tube F32 Ø2.5mm L=15mm Colour: Black	

Specification	DC ~ 6.0 GHz
VSWR	1.65 : 1 Max.
Insertion Loss	-1.1 dB Max.

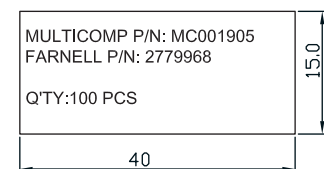
1 PCS/1PE BAG SIZE:4.5"x3.5"



⑥ 3.5"x4.5" PE BAG LABLE SIZE:60x40mm



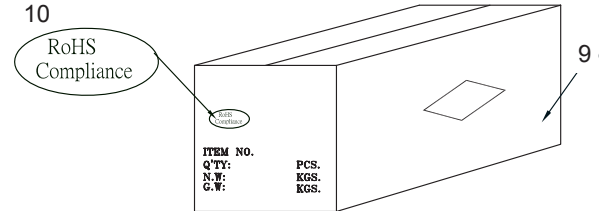
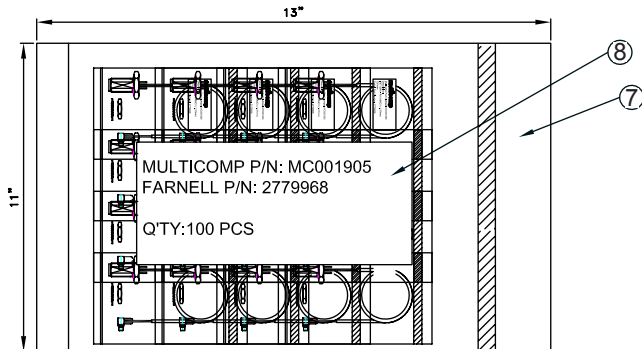
⑧ 11"x13" PE BAG LABLE SIZE:40x15mm



Newark.com/multicomp-pro  
Farnell.com/multicomp-pro  
Element14.com/multicomp-pro

# multicomp PRO

**RF / Coaxial Cable Assembly**  
**IP67 SMA Bulkhead Jack-to-MMCX Right Angle Plug, 100mm**



**Note:**

- 1. 1 piece finished Product (include nut and washer)/1 PE Bag
- 2. 11" × 13" PE bag (600 pcs)/1 Carton

Item	Description	Qty
5	PE Bag 0.07mm, 3.5" × 4.5"	1
6	3.5" × 4.5" PE Bag Lable size : 60mm × 40mm	
7	PE Bag 0.07mm, 11" × 13"	
8	11" × 13" PE Bag Lable Size: 40mm × 15mm	
9	Carton, Size: 33cm × 22cm × 22cm	
10	RoHS Logo Lable size: 45mm × 20mm	

**Part Number Table**

Description	Part Number
RF / Coaxial Cable Assembly IP67 SMA Bulkhead Jack-to-MMCX Right Angle Plug , 100mm	MC001905

**Important Notice :** This data sheet and its contents (the "Information") belong to the members of the AVNET group of companies (the "Group") or are licensed to it. No licence is granted for the use of it other than for information purposes in connection with the products to which it relates. No licence of any intellectual property rights is granted. The Information is subject to change without notice and replaces all data sheets previously supplied. The Information supplied is believed to be accurate but the Group assumes no responsibility for its accuracy or completeness, any error in or omission from it or for any use made of it. Users of this data sheet should check for themselves the Information and the suitability of the products for their purpose and not make any assumptions based on information included or omitted. Liability for loss or damage resulting from any reliance on the Information or use of it (including liability resulting from negligence or where the Group was aware of the possibility of such loss or damage arising) is excluded. This will not operate to limit or restrict the Group's liability for death or personal injury resulting from its negligence. Multicomp Pro is the registered trademark of Premier Farnell Limited 2019.

Newark.com/multicomp-pro  
 Farnell.com/multicomp-pro  
 Element14.com/multicomp-pro

