

**RF / Coaxial Cable Assembly**  
**IP67 N Bulkhead Jack-to-MMCX Right Angle Plug, 100mm**

**multicomp** PRO

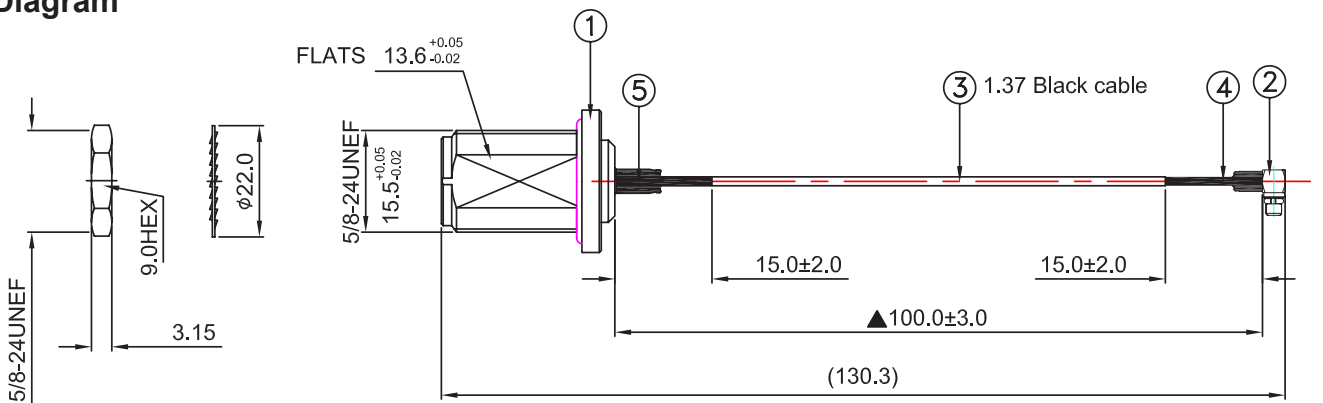
**RoHS  
Compliant**



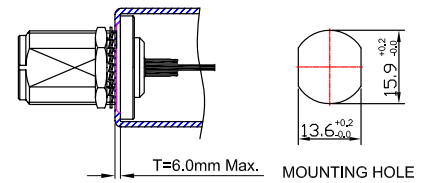
**Electrical Performance:**

Impedance	: 50Ω
Frequency Range	: DC ~ 6.0 Ghz
Working Voltage	: 170Vrms Max.
Dielectric Withstanding Voltage	: 500Vrms Max.
Insulator Resistance	: 1000MΩ Min.

**Diagram**



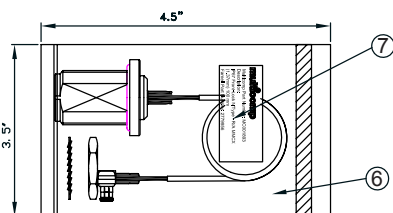
Specification	DC ~ 6.0 GHz
VSWR	1.65 : 1 Max.
Insertion Loss	-1.1 dB Max.



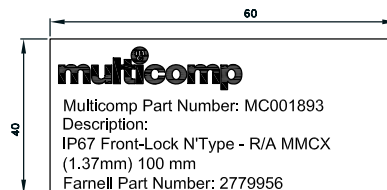
Dimensions : Millimetres

Sl.	Description	Qty
1	N Bulkhead Jack Crimp for 1.37mm Cable	1
2	MMCX R/A Plug Crimp for OD 1.37mm Cable	
3	1.37mm Black Cable	
4	Heat Shrink Tube F32 Ø2.5mm L=15mm Colour: Black	
5	Heat Shrink Tube F32 Ø3mm L=15mm Colour: Black	

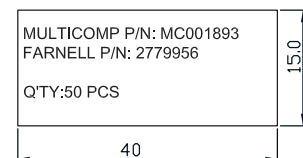
1 PCS/1PE BAG SIZE:4.5"x3.5"



7 3.5"x4.5" PE BAG LABEL SIZE:60x40mm



9 11"x13" PE BAG LABEL SIZE:40x15mm



Newark.com/multicomp-pro  
 Farnell.com/multicomp-pro  
 Element14.com/multicomp-pro

**multicomp** PRO