

# D-Sub Connector Dust Cover



RoHS  
Compliant

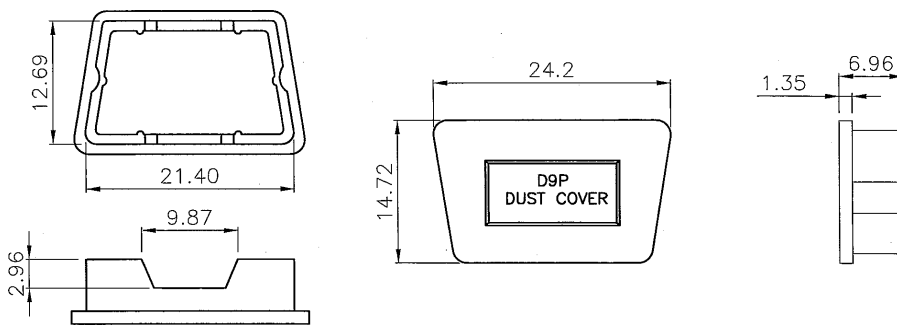


MC001543

## Specifications:

Connector Body Material : PE (Polyethylene) Body  
Accessory Type : Dust Cover  
Enclosure Material : Plastic  
For use with : D-Sub Connectors  
No. of Positions : 9  
Colour : White

## Diagram



Dimensions : Millimetres

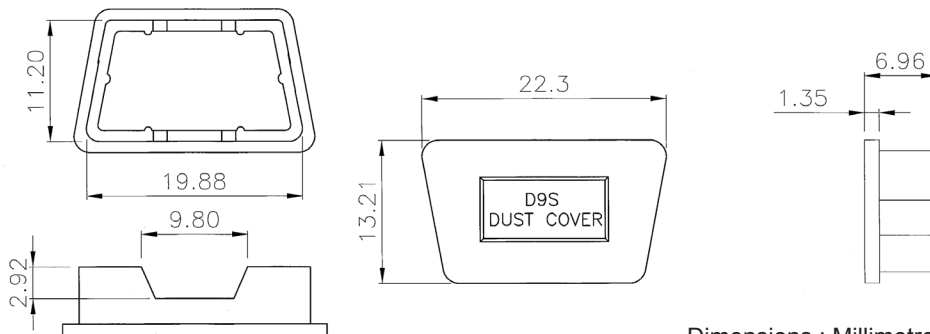


MC001544

## Specifications:

Connector Body Material : PE (Polyethylene) Body  
Accessory Type : Dust Cover  
Enclosure Material : Plastic  
For use with : D-Sub Connectors  
No. of Positions : 9  
Colour : White

## Diagram



Dimensions : Millimetres



# D-Sub Connector Dust Cover

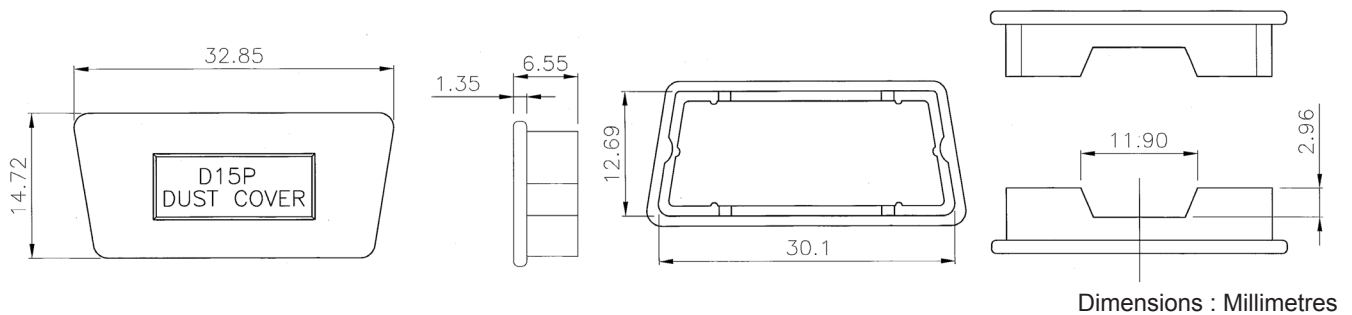


MC001545

## Specifications:

Connector Body Material : PE (Polyethylene) Body  
Accessory Type : Dust Cover  
Enclosure Material : Plastic  
For use with : D-Sub Connectors  
No. of Positions : 15  
Colour : White

## Diagram

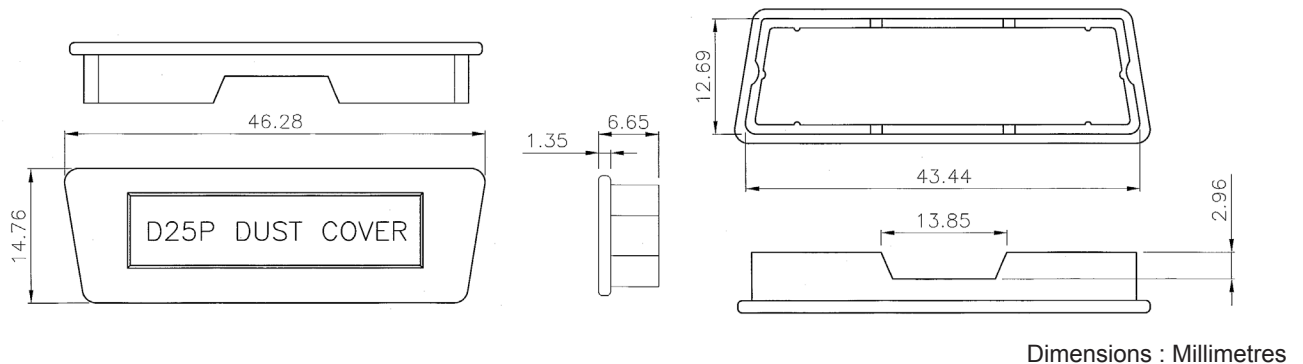


MC001546

## Specifications:

Connector Body Material : PE (Polyethylene) Body  
Accessory Type : Dust Cover  
Enclosure Material : Plastic  
For use with : D-Sub Connectors  
No. of Positions : 25  
Colour : White

## Diagram



# D-Sub Connector Dust Cover

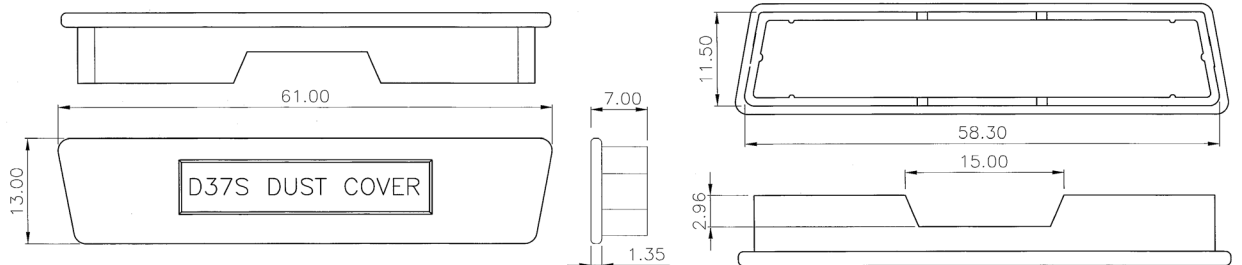


MC001547

## Specifications:

Connector Body Material : PE (Polyethylene) Body  
 Accessory Type : Dust Cover  
 Contact Type : F = Female  
 Enclosure Material : Plastic  
 For use with : D-Sub Connectors  
 No. of Positions : 37  
 Colour : White

## Diagram



Dimensions : Millimetres

## Part Number Table

Description	Part Number
D-Sub Dust Cover 9 Pin Male	MC001543
D-Sub Dust Cover 9 Pin Female	MC001544
D-Sub Dust Cover 15 Pin Male	MC001545
D-Sub Dust Cover 25 Pin Male	MC001546
D-Sub Dust Cover 37 Pin Female	MC001547

**Important Notice :** This data sheet and its contents (the "Information") belong to the members of the Premier Farnell group of companies (the "Group") or are licensed to it. No licence is granted for the use of it other than for information purposes in connection with the products to which it relates. No licence of any intellectual property rights is granted. The Information is subject to change without notice and replaces all data sheets previously supplied. The Information supplied is believed to be accurate but the Group assumes no responsibility for its accuracy or completeness, any error in or omission from it or for any use made of it. Users of this data sheet should check for themselves the Information and the suitability of the products for their purpose and not make any assumptions based on information included or omitted. Liability for loss or damage resulting from any reliance on the Information or use of it (including liability resulting from negligence or where the Group was aware of the possibility of such loss or damage arising) is excluded. This will not operate to limit or restrict the Group's liability for death or personal injury resulting from its negligence. Multicomp is the registered trademark of the Group. © Premier Farnell Limited 2016.

