

Sealed Polycarbonate and ABS Enclosures With Mounting Flange



Product Information:

- The lid and base incorporate a tongue and groove sealing system with a EPDM gasket.
- Wall mounting holes and lid fixing screws are outside the sealing area thus preventing the ingress of moisture and dust.
- Designed to IP65 of IEC 529 (Dust and Hoseproof).
- Bosses on internal base allow fixing of PCB's horizontally or connection of terminals with M3X4mm self-tapping screws.
- Internal guide slots for mounting PCB assemblies vertically.
- Available with clear or light grey lids.

Material

Polycarbonate (UL94-HB)

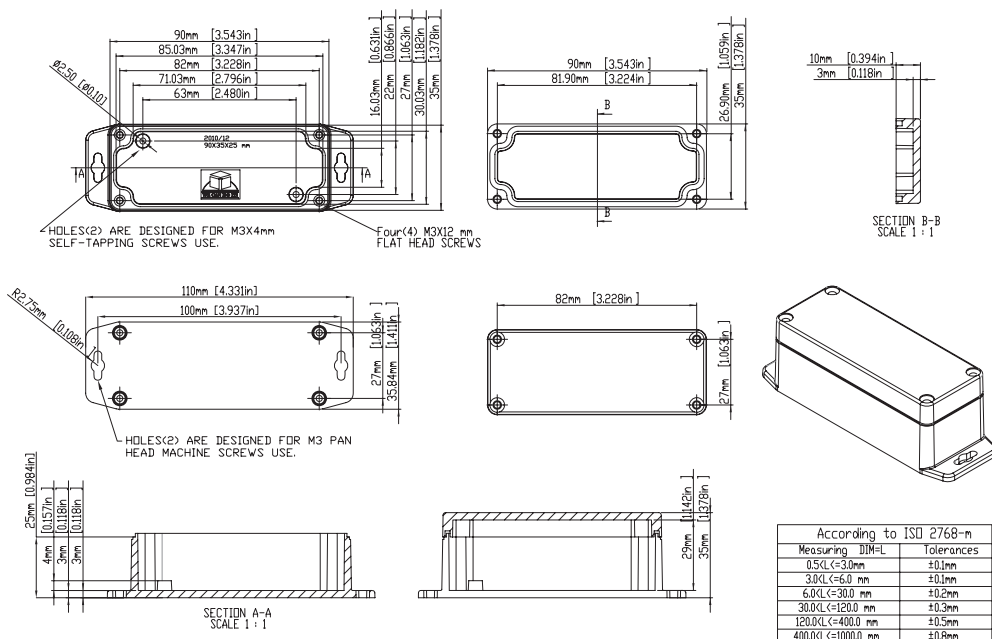
- Moulded in : Clear & Light Grey.
- Operating temperature: -40°C to 120°C.
- Clear lid is available.
- Mounting flange is designed on the bottom of the base, so the base can be mounted with pan head type of screws on the wall easily

High Impact ABS (UL94-HB)

- Moulded in : Dark Grey.
- Operating temperature: -20°C to 80°C
- Mounting flange is designed on the bottom of the base, so the base can be mounted with pan head type of screws on the wall easily.

Diagrams:

Part Number : MC001102 / MC001112 / MC001122



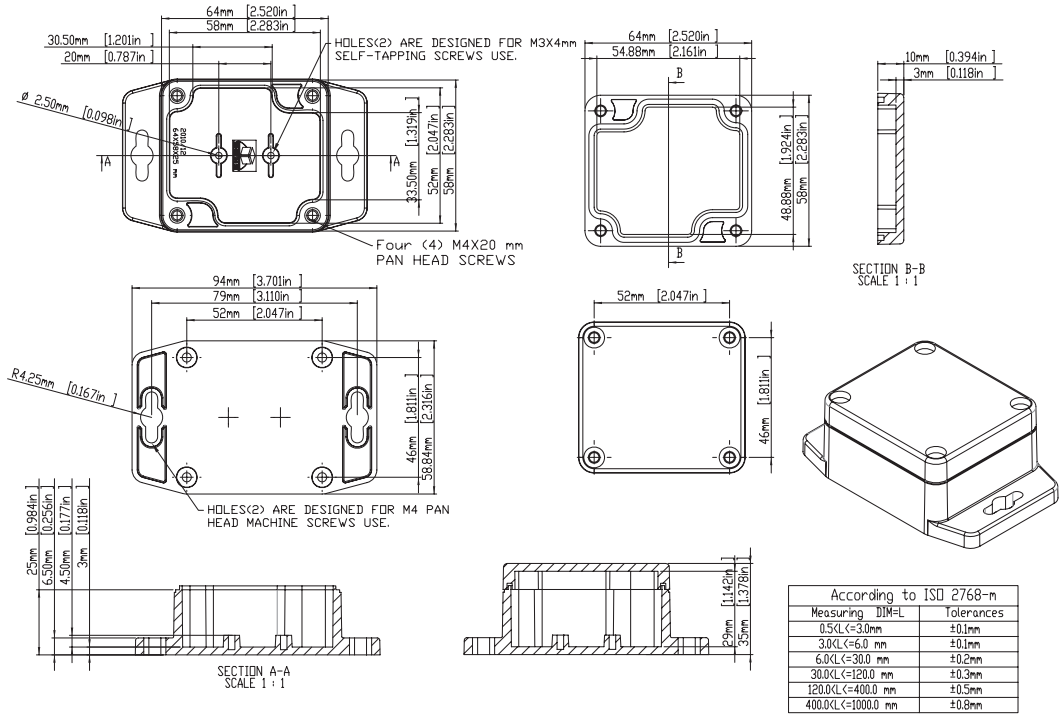
Newark.com/multicomp-pro
Farnell.com/multicomp-pro
Element14.com/multicomp-pro



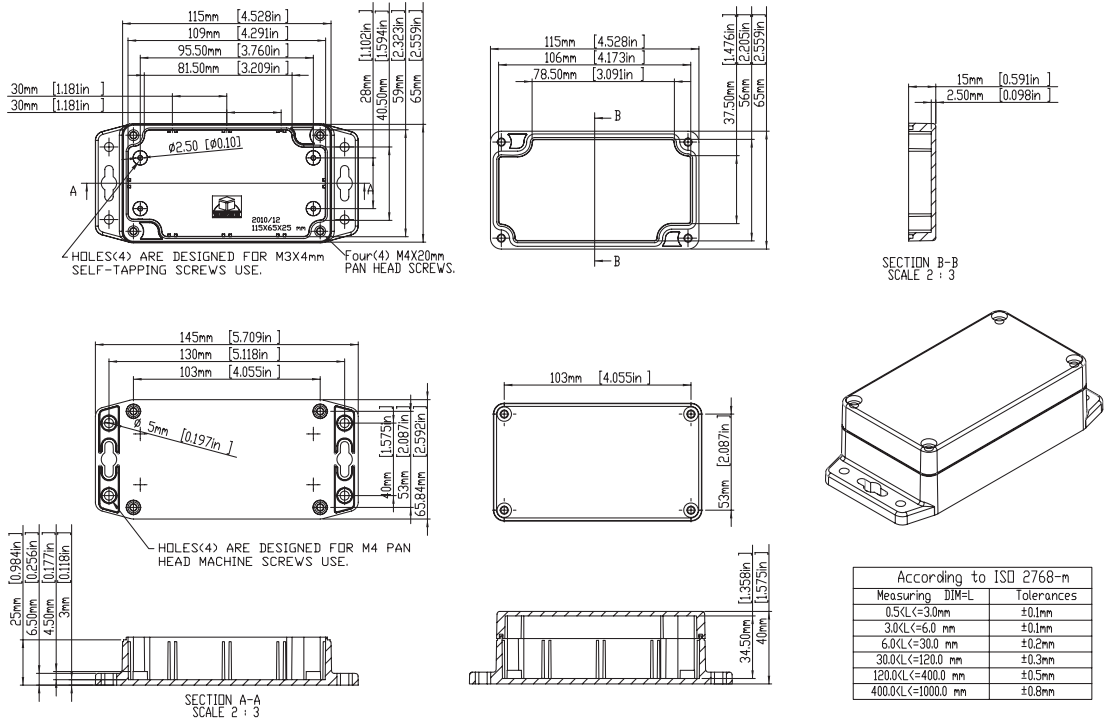
Sealed Polycarbonate and ABS Enclosures With Mounting Flange

multicomp PRO

Part Number : MC001093 / MC001103 / MC001113



Part Number : MC001094 / MC001104 / MC001114



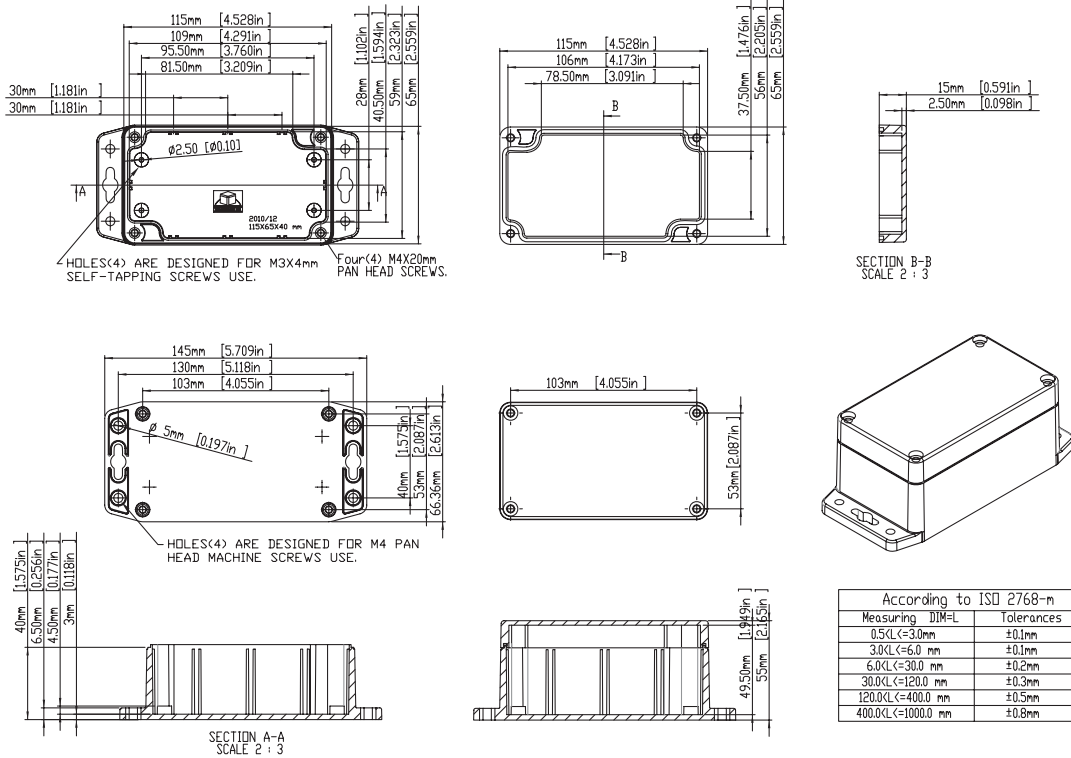
Newark.com/multicomp-pro
Farnell.com/multicomp-pro
Element14.com/multicomp-pro

multicomp PRO

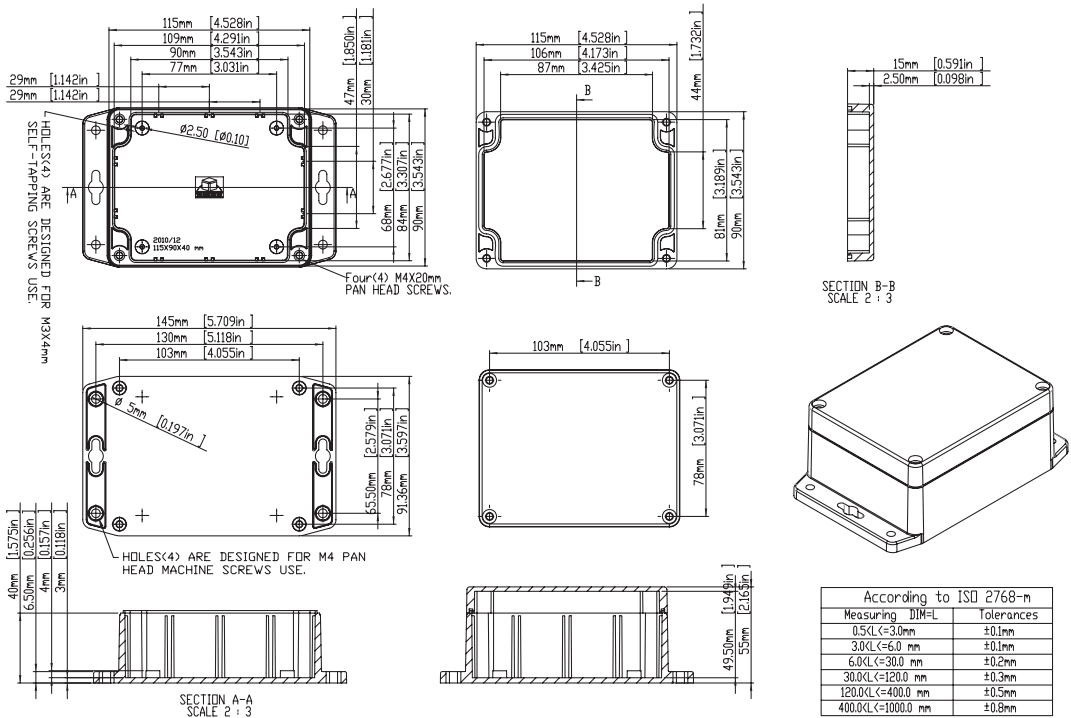
Sealed Polycarbonate and ABS Enclosures With Mounting Flange

multicomp PRO

Part Number : MC001095 / MC001105 / MC001115



Part Number : MC001096 / MC001106 / MC001116



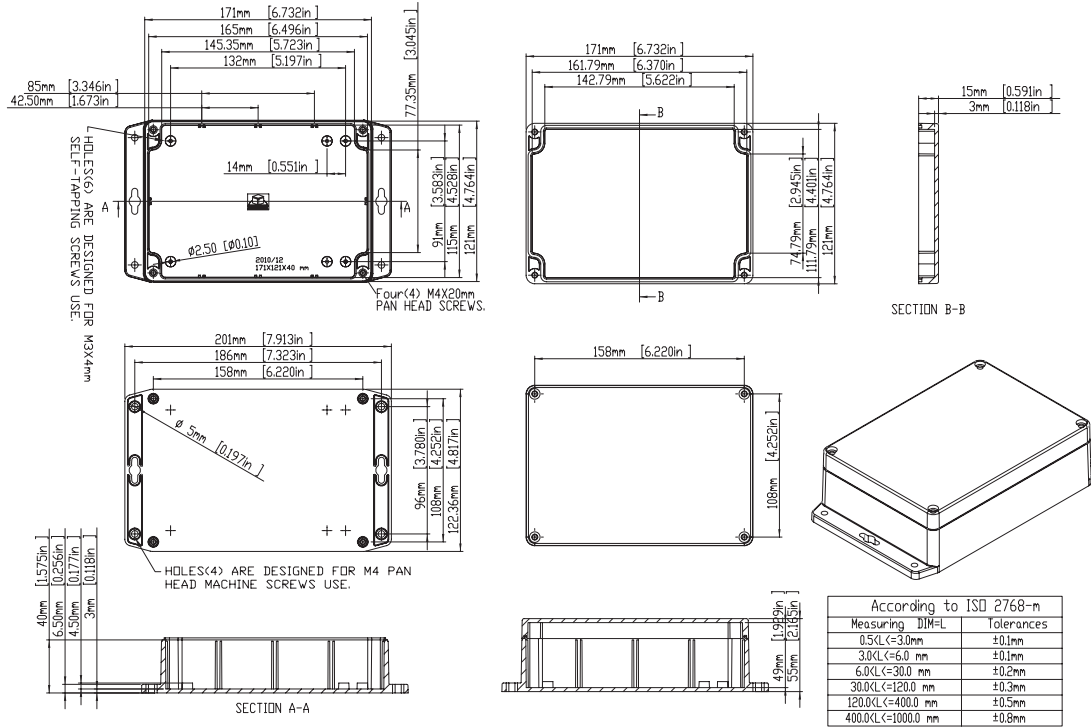
Newark.com/multicomp-pro
Farnell.com/multicomp-pro
Element14.com/multicomp-pro

multicomp PRO

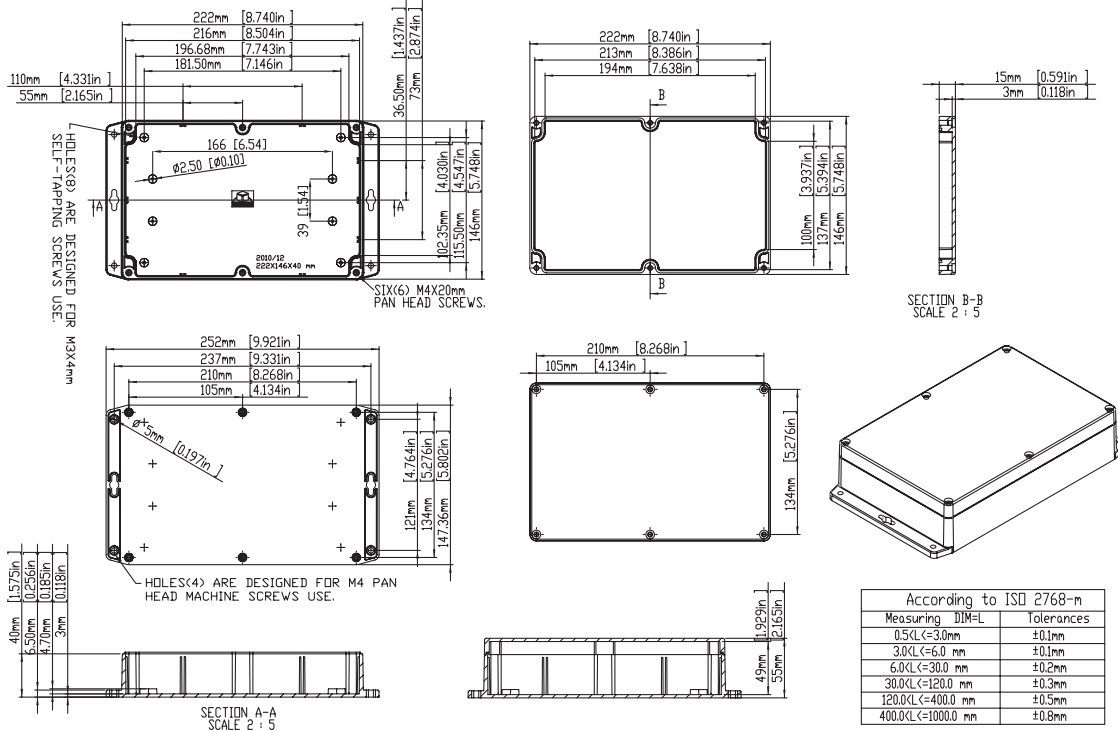
Sealed Polycarbonate and ABS Enclosures With Mounting Flange

multicomp PRO

Part Number : MC001098 / MC001108 / MC001118



Part Number : MC001100 / MC001110 / MC001120



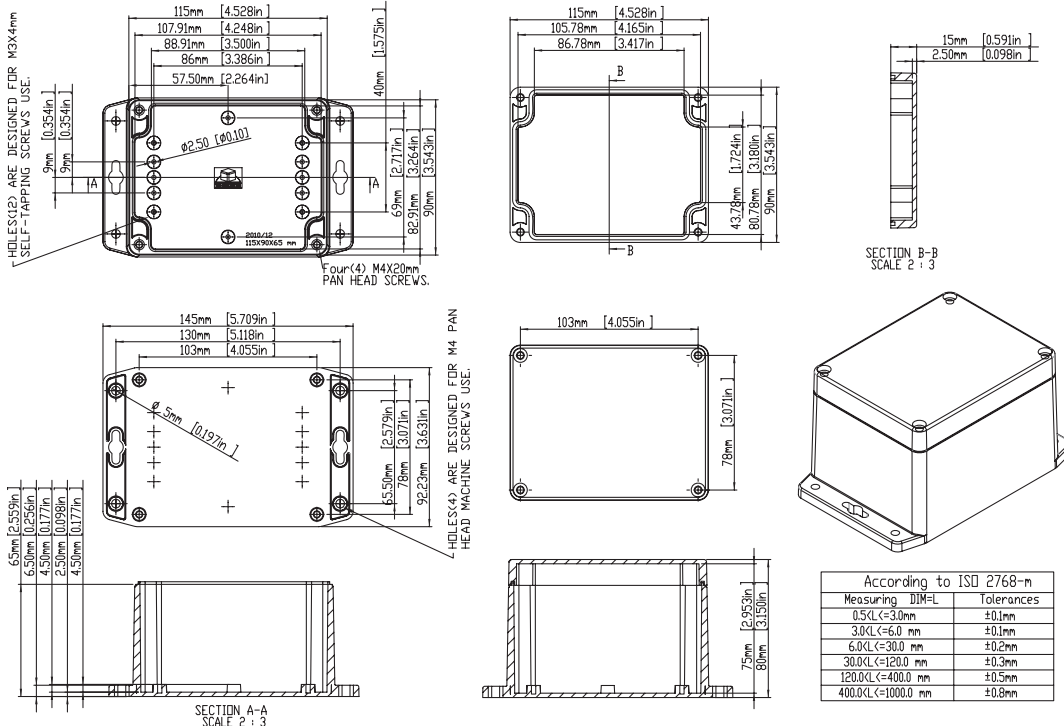
Newark.com/multicomp-pro
Farnell.com/multicomp-pro
Element14.com/multicomp-pro

multicomp PRO

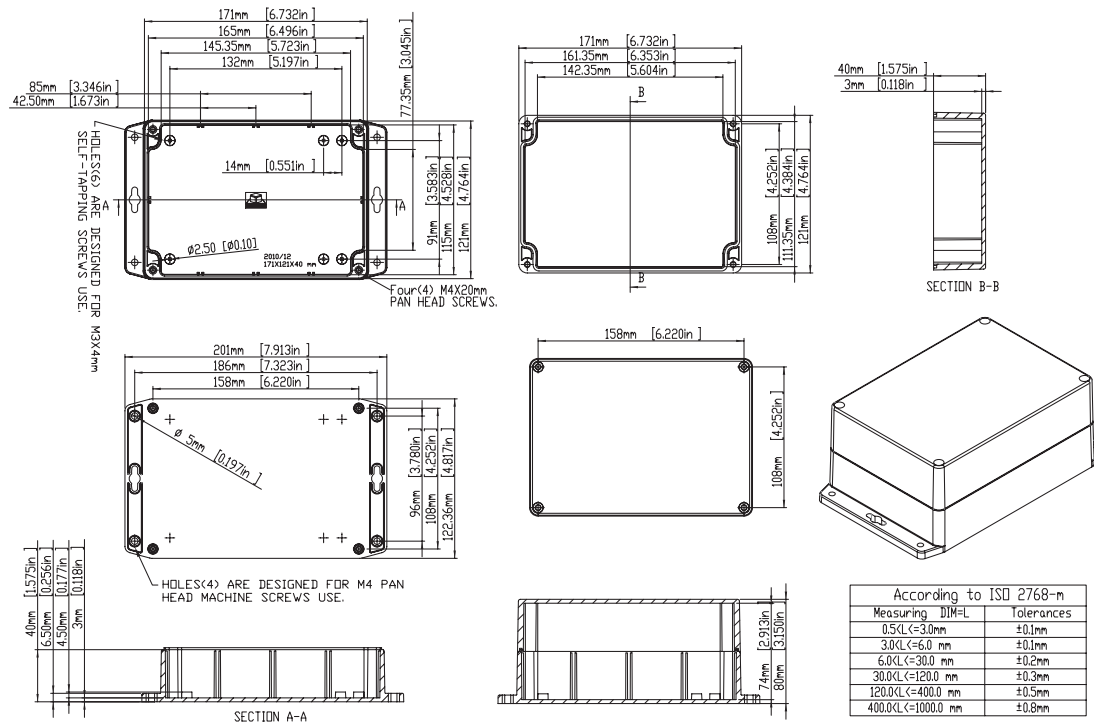
Sealed Polycarbonate and ABS Enclosures With Mounting Flange

multicomp PRO

Part Number : MC001097 / MC001107 / MC001117



Part Number : MC001099 / MC001109 / MC001119



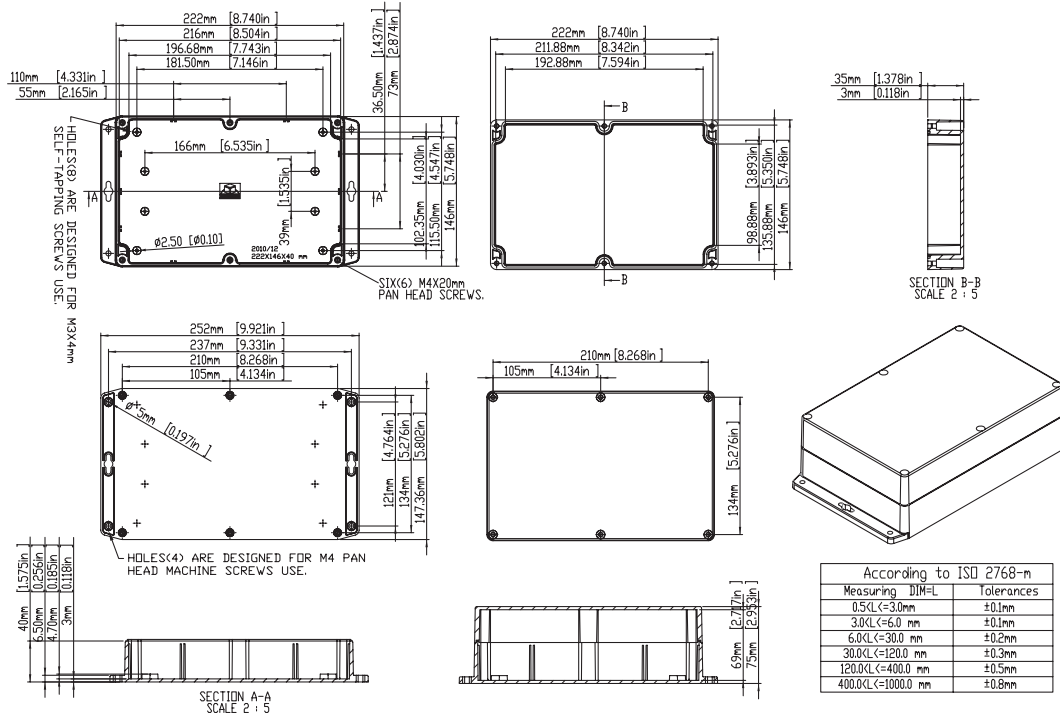
Newark.com/multicomp-pro
Farnell.com/multicomp-pro
Element14.com/multicomp-pro

multicomp PRO

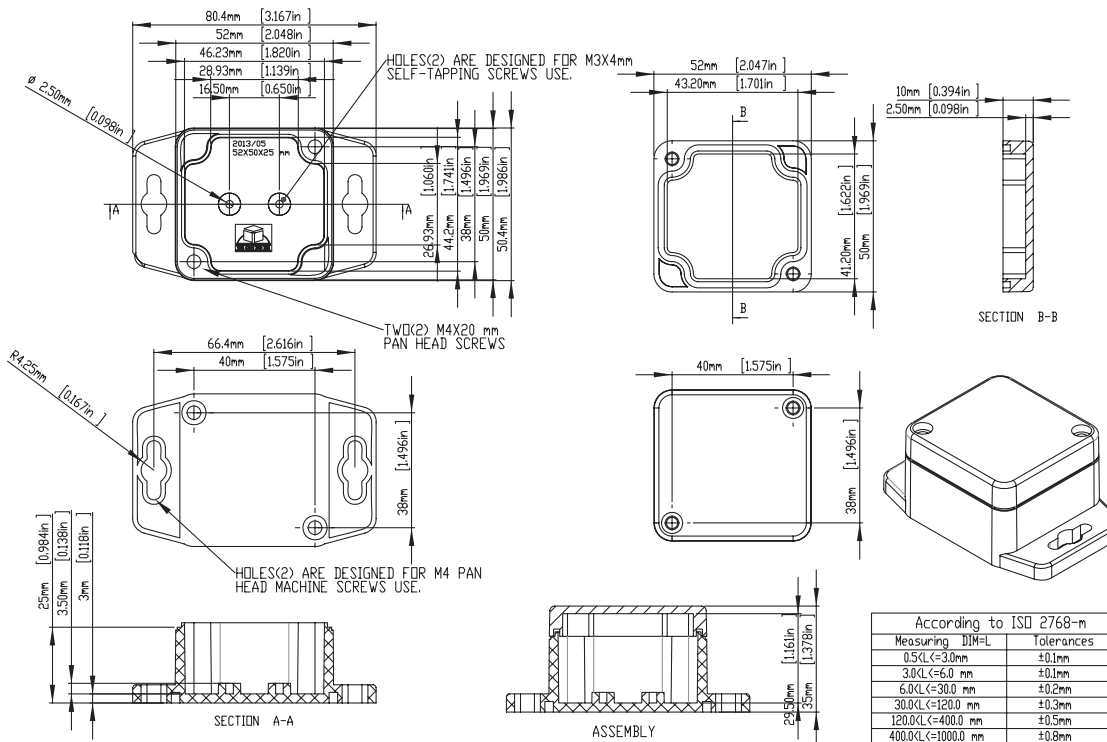
Sealed Polycarbonate and ABS Enclosures With Mounting Flange

multicomp PRO

Part Number : MC001101 / MC001111 / MC001121



Part Number : MC001060 / MC001066 / MC001072



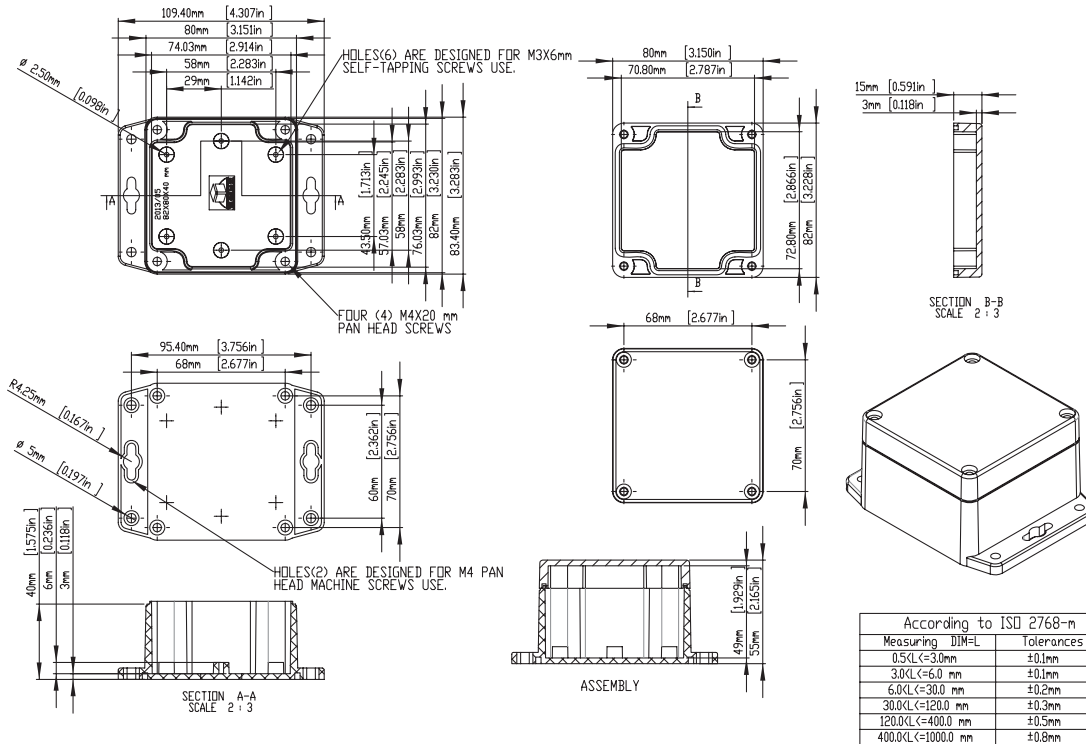
Newark.com/multicomp-pro
 Farnell.com/multicomp-pro
 Element14.com/multicomp-pro

multicomp PRO

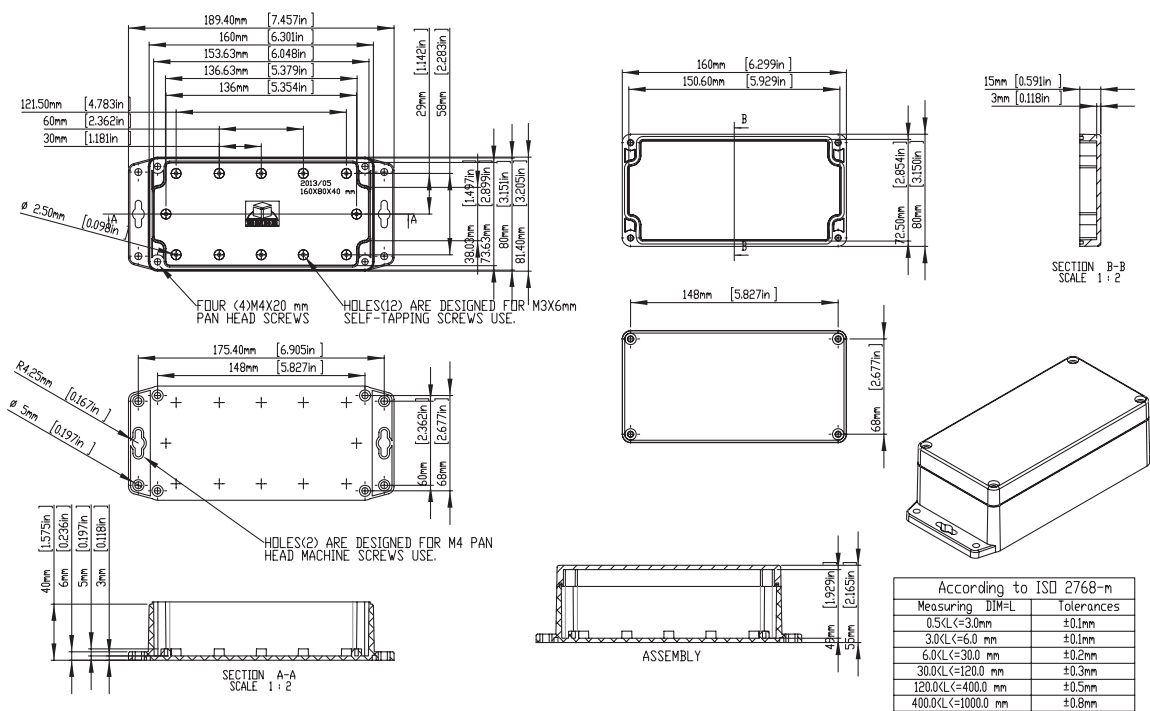
Sealed Polycarbonate and ABS Enclosures With Mounting Flange

multicomp PRO

Part Number : MC001061 / MC001067 / MC001073



Part Number : MC001062 / MC001068 / MC001074



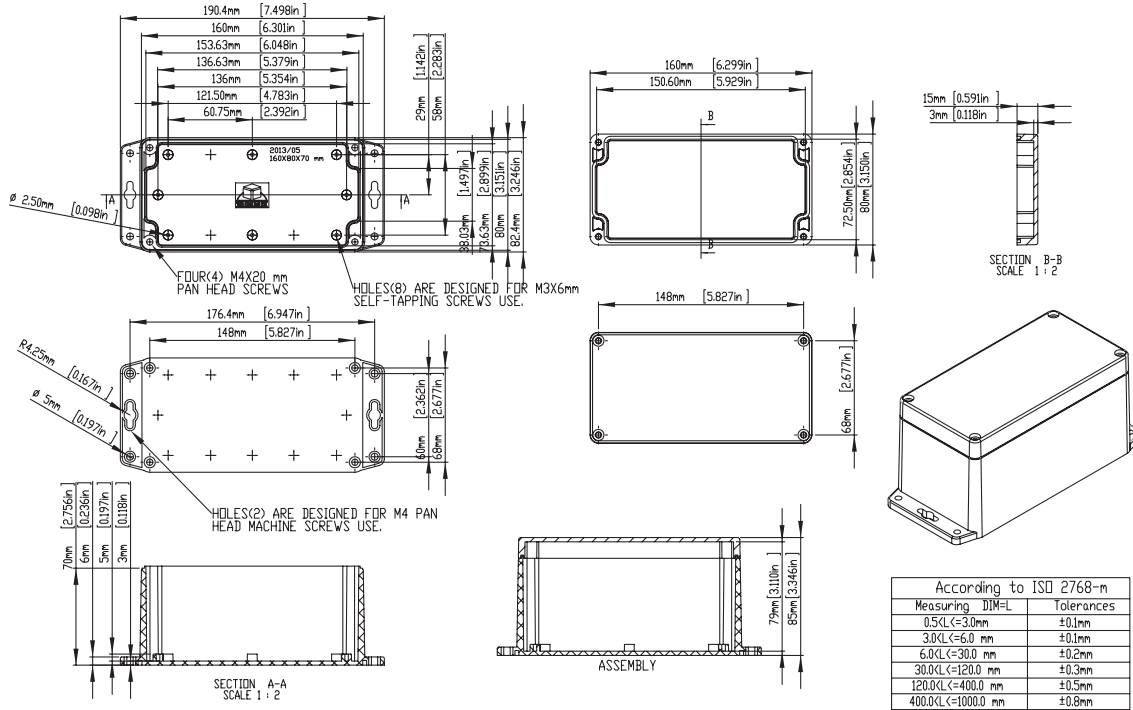
Newark.com/multicomp-pro
 Farnell.com/multicomp-pro
 Element14.com/multicomp-pro

multicomp PRO

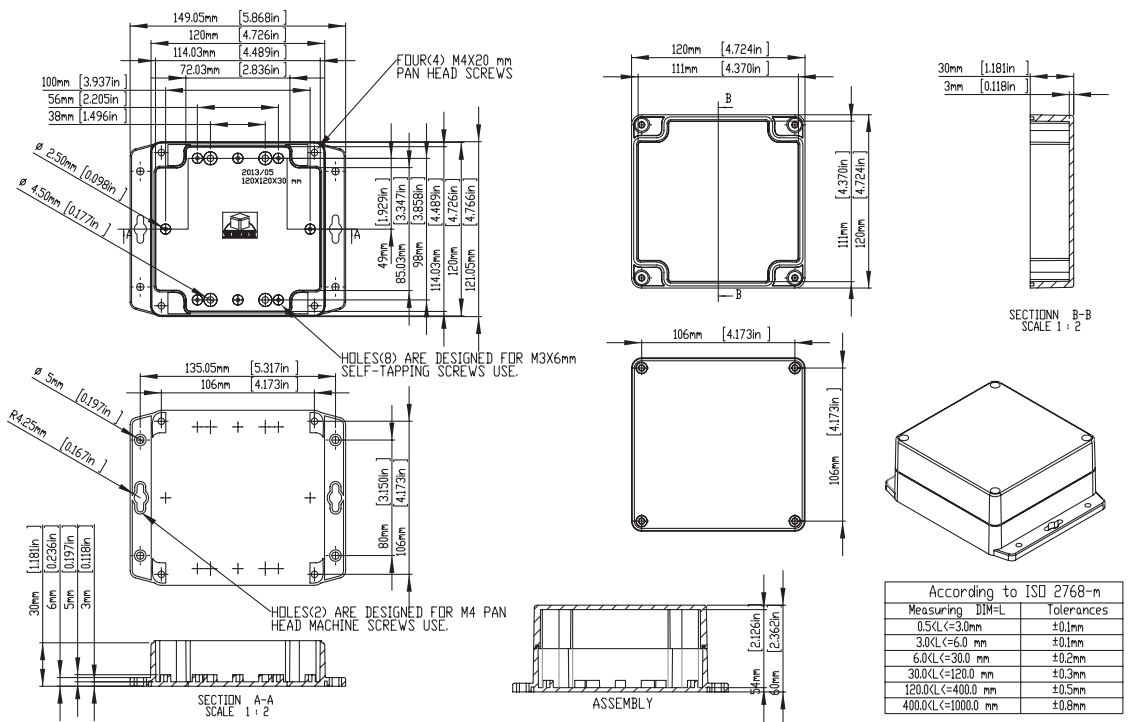
Sealed Polycarbonate and ABS Enclosures With Mounting Flange

multicomp PRO

Part Number : MC001063 / MC001069 / MC001075



Part Number : MC001064 / MC001070 / MC001076



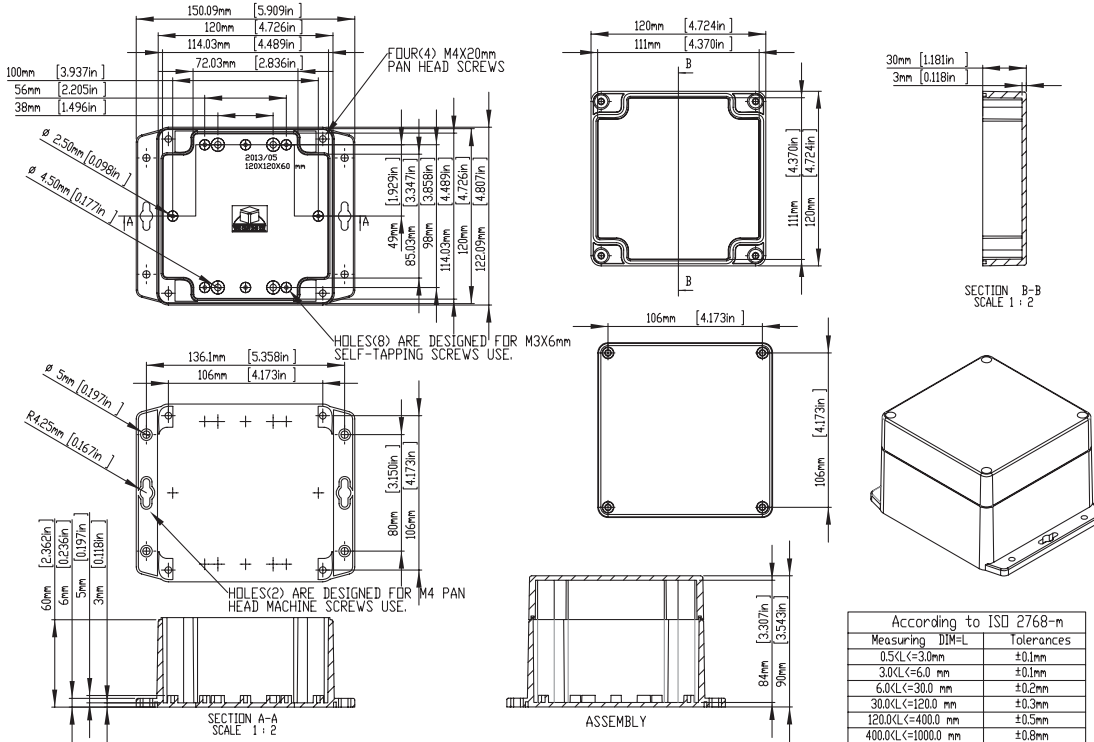
Newark.com/multicomp-pro
 Farnell.com/multicomp-pro
 Element14.com/multicomp-pro

multicomp PRO

Sealed Polycarbonate and ABS Enclosures With Mounting Flange



Part Number : MC001065 / MC001071 / MC001077



Part Number Table

| Description | Material | Colour | | External Dimension L x W x H (mm) | Part Number |
|--|---------------|------------|------------|--------------------------------------|-------------|
| | | Lid | Base | | |
| Sealed Polycarbonate and ABS Enclosures With Mounting Flange | Polycarbonate | Light Grey | | 90 x 35 x 35 | MC001102 |
| | | Clear | Light Grey | | MC001112 |
| | ABS | Dark Grey | | | MC001122 |
| | Polycarbonate | Light Grey | | 64 x 58 x 35 | MC001093 |
| | | Clear | Light Grey | | MC001103 |
| | ABS | Dark Grey | | | MC001113 |
| | Polycarbonate | Light Grey | | 115 x 65 x 40 | MC001094 |
| | | Clear | Light Grey | | MC001104 |
| | ABS | Dark Grey | | | MC001114 |
| | Polycarbonate | Light Grey | | 115 x 65 x 55 | MC001095 |
| | | Clear | Light Grey | | MC001105 |
| | ABS | Dark Grey | | | MC001115 |
| | Polycarbonate | Light Grey | | 115 x 90 x 55 | MC001096 |
| | | Clear | Light Grey | | MC001106 |
| | ABS | Dark Grey | | | MC001116 |

Newark.com/multicomp-pro
Farnell.com/multicomp-pro
Element14.com/multicomp-pro



Sealed Polycarbonate and ABS Enclosures With Mounting Flange



| Description | Material | Colour | | External Dimension L x W x H (mm) | Part Number |
|--|---------------|------------|----------------|--------------------------------------|-------------|
| | | Lid | Base | | |
| Sealed Polycarbonate and ABS Enclosures With Mounting Flange | Polycarbonate | Light Grey | | 171 x 121 x 55 | MC001098 |
| | | Clear | Light Grey | | MC001108 |
| | ABS | Dark Grey | | | MC001118 |
| | Polycarbonate | Light Grey | | 222 x 146 x 55 | MC001100 |
| | | Clear | Light Grey | | MC001110 |
| | ABS | Dark Grey | | | MC001120 |
| | Polycarbonate | Light Grey | | 115 x 90 x 80 | MC001097 |
| | | Clear | Light Grey | | MC001107 |
| | ABS | Dark Grey | | | MC001117 |
| | Polycarbonate | Light Grey | | 171 x 121 x 80 | MC001099 |
| | | Clear | Light Grey | | MC001109 |
| | ABS | Dark Grey | | | MC001119 |
| | Polycarbonate | Light Grey | | 222 x 146 x 75 | MC001101 |
| | | Clear | Light Grey | | MC001111 |
| | ABS | Dark Grey | | | MC001121 |
| | Polycarbonate | Light Grey | | 52 x 50 x 35 | MC001060 |
| | | Clear | Light Grey | | MC001066 |
| | ABS | Dark Grey | | | MC001072 |
| | Polycarbonate | Light Grey | | 82 x 80 x 55 | MC001061 |
| | | Clear | Light Grey | | MC001067 |
| | ABS | Dark Grey | | | MC001073 |
| | Polycarbonate | Light Grey | | 160 x 80 x 55 | MC001062 |
| | | Clear | Light Grey | | MC001068 |
| | ABS | Dark Grey | | | MC001074 |
| | Polycarbonate | Light Grey | | 160 x 80 x 85 | MC001063 |
| | | Clear | Light Grey | | MC001069 |
| | ABS | Dark Grey | | | MC001075 |
| | Polycarbonate | Light Grey | | 120 x 120 x 60 | MC001064 |
| | | Clear | Light Grey | | MC001070 |
| | ABS | Dark Grey | | | MC001076 |
| Polycarbonate | Light Grey | | 120 x 120 x 90 | MC001065 | |
| | Clear | Light Grey | | MC001071 | |
| ABS | Dark Grey | | | MC001077 | |

Important Notice : This data sheet and its contents (the "Information") belong to the members of the AVNET group of companies (the "Group") or are licensed to it. No licence is granted for the use of it other than for information purposes in connection with the products to which it relates. No licence of any intellectual property rights is granted. The Information is subject to change without notice and replaces all data sheets previously supplied. The Information supplied is believed to be accurate but the Group assumes no responsibility for its accuracy or completeness, any error in or omission from it or for any use made of it. Users of this data sheet should check for themselves the Information and the suitability of the products for their purpose and not make any assumptions based on information included or omitted. Liability for loss or damage resulting from any reliance on the Information or use of it (including liability resulting from negligence or where the Group was aware of the possibility of such loss or damage arising) is excluded. This will not operate to limit or restrict the Group's liability for death or personal injury resulting from its negligence. Multicomp Pro is the registered trademark of Premier Farnell Limited 2019.

