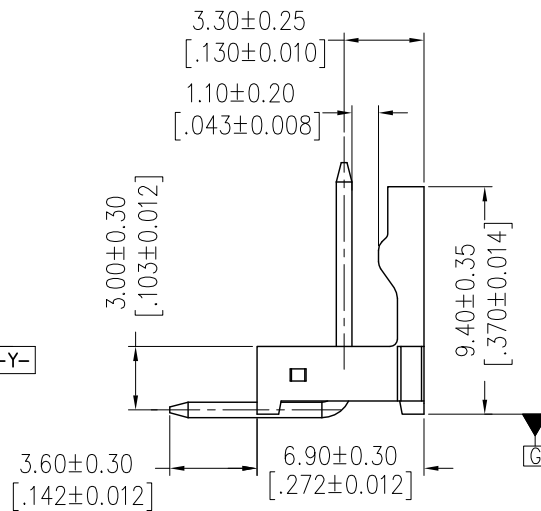
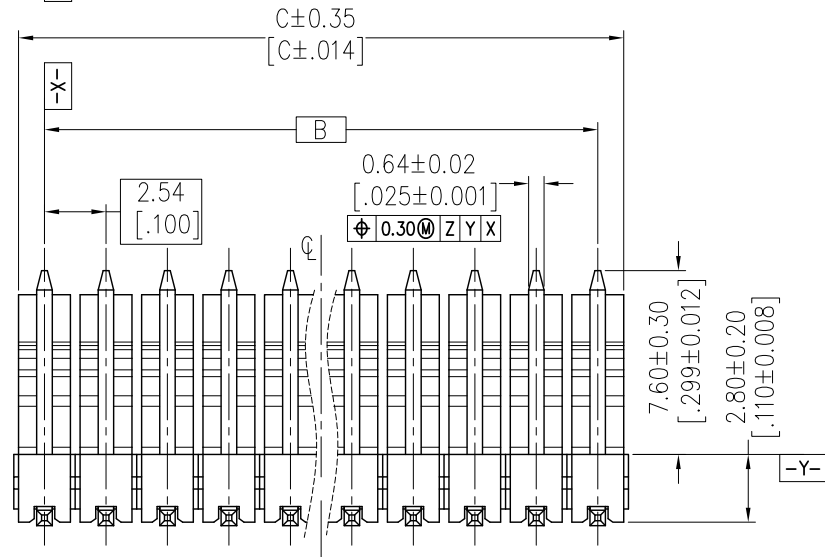
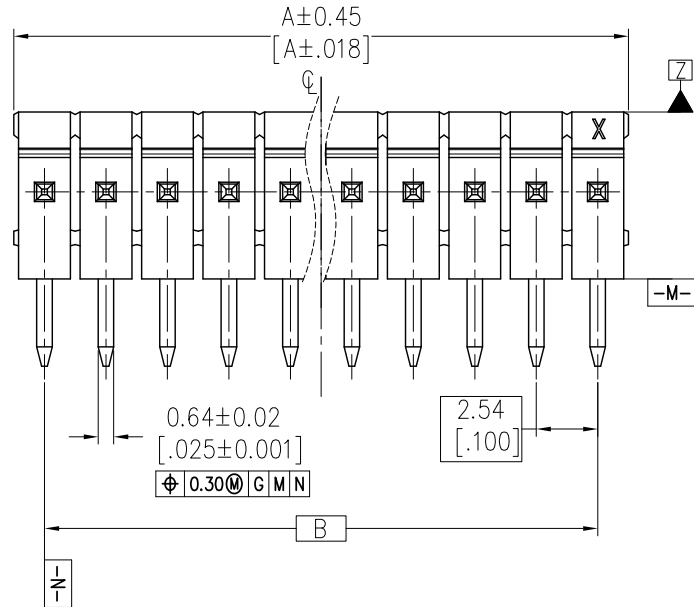
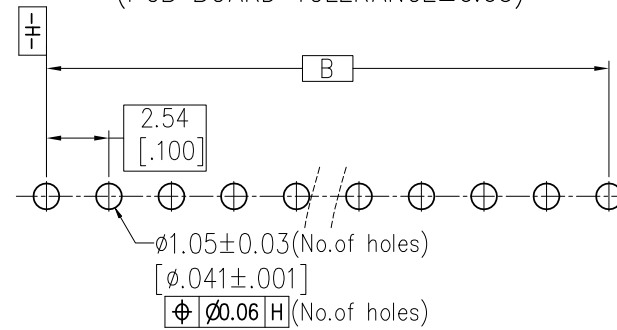


MAS-CON HEADER, Series 100, 2,54mm, 90° breakable, with locking, without polarization

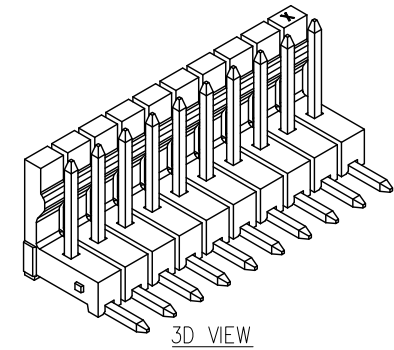


Recommended P.C.B Layout (Top Side)
(PCB BOARD TOLERANCE ± 0.05)



NOTES:
 Contact Resistance: 20m Ω max.
 Withstand Voltage: 2000V AC/minute
 Insulation Resistance: 1000M Ω min.
 Operation Temperature: -55°C to +105°C
 Contact Material: Brass
 Contact plating: Sn over Ni (Au on request)
 Insulator Material: PA66 (UL94V-0)

OPERATION	
X.X	± 0.40
X.XX	± 0.25
X.XXX	± 0.15
Angle	$\pm 3^\circ$
DIM	TOL

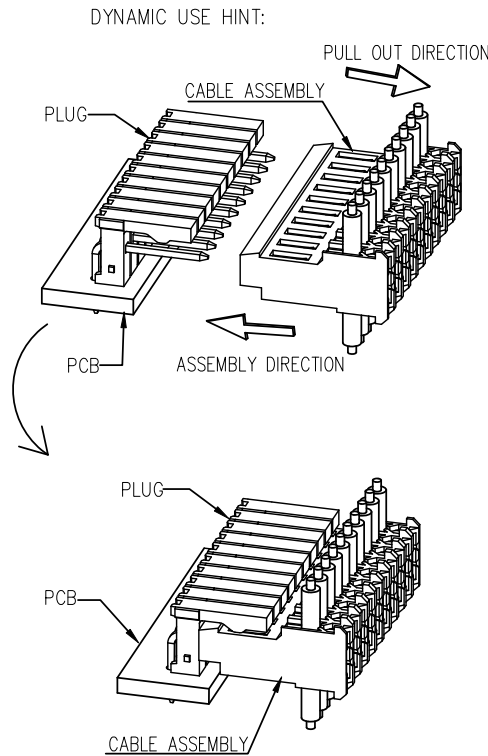


Sheet 1 of 2

REV	DATE	NOTE	NAME
3	25.08.2020	DRW revised	JAL
2	21.01.2020	comp. revised	LAD
1	26.11.2019	issued	LAD

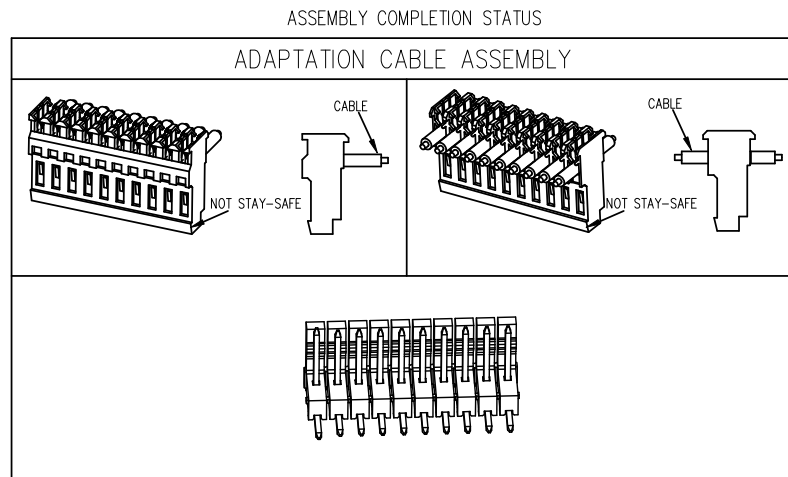
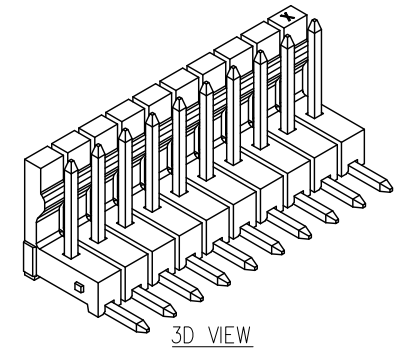
MAS-CON HEADER, Series 100, 2,54mm, 90° breakable, with locking, without polarization

ORDERING INFORMATION			
Part No.	DIM A	DIM B	DIM C
MBAS100- 02- D_E	5,08	2,54	4,68
MBAS100- 03- D_E	7,62	5,08	7,22
MBAS100- 04- D_E	10,16	7,62	9,76
MBAS100- 05- D_E	12,70	10,16	12,30
MBAS100- 06- C_E	15,24	12,70	14,84
MBAS100- 07- C_E	17,78	15,24	17,38
MBAS100- 08- C_E	20,32	17,78	19,92
MBAS100- 09- C_E	22,86	20,32	22,46
MBAS100- 10- C_E	25,40	22,86	25,00
MBAS100- 11- C_E	27,94	25,40	27,54
MBAS100- 12- C_E	30,48	27,94	30,08
MBAS100- 13- C_E	33,02	30,48	32,62
MBAS100- 14- C_E	35,56	33,02	35,16
MBAS100- 15- C_E	38,10	35,56	37,70
MBAS100- 16- C_E	40,64	38,10	40,24
MBAS100- 17- C_E	43,18	40,64	42,78
MBAS100- 18- C_E	45,72	43,18	45,32
MBAS100- 19- C_E	48,26	45,72	47,86
MBAS100- 20- C_E	50,80	48,26	50,40
MBAS100- 21- C_E	53,34	50,80	52,94
MBAS100- 22- C_E	55,88	53,34	55,48
MBAS100- 23- C_E	58,42	55,88	58,02
MBAS100- 24- C_E	60,96	58,42	60,56
MBAS100- 25- C_E	63,50	60,96	63,10
MBAS100- 26- C_E	66,04	63,50	65,64
MBAS100- 27- C_E	68,58	66,04	68,18
MBAS100- 28- C_E	71,12	68,58	70,72
MBAS100- 29- C_E	73,66	71,12	73,26
MBAS100- 30- C_E	76,20	73,66	75,80
MBAS100- 31- C_E	78,74	76,20	78,34
MBAS100- 32- C_E	81,28	78,74	80,88
MBAS100- 33- C_E	83,82	81,28	83,42
MBAS100- 34- C_E	86,36	83,82	85,96
MBAS100- 35- C_E	88,90	86,36	88,50
MBAS100- 36- C_E	/	88,90	91,04



NOTES:
 Contact Resistance: 20mΩ max.
 Withstand Voltage: 2000V AC/minute
 Insulation Resistance: 1000MΩ min.
 Operation Temperature: -55°C to +105°C
 Contact Material: Brass
 Contact plating: Sn over Ni (Au on request)
 Insulator Material: PA66 (UL94V-0)

OPERATION	
X.X	±0.40
X.XX	±0.25
X.XXX	±0.15
Angle	± 3°
DIM	TOL



Sheet 2 of 2

REV	DATE	NOTE	NAME
3	25.08.2020	DRW revised	JAL
2	21.01.2020	comp. revised	LAD
1	26.11.2019	issued	LAD